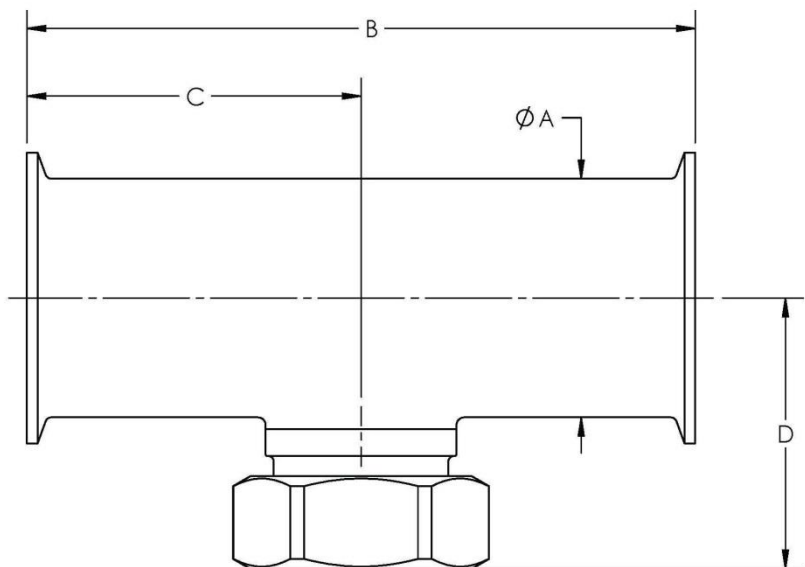




TruStream Tri-Clamp Inspection Tees (with Hex Nut)



Material: 316L Stainless Steel
Roughness: ≤ 20 Ra (Internal)

Component	Part Number	Diameter	B	D
TruStream7	215141	1.0"	4.75"	1.9"
	215145	1.5"	5.50"	2.1"
	215147	2.0"	7.00"	2.4"
<i>Anderson retrofits</i>	215515	1.5"	4.00"	2.1"
	215520	2.0"	4.00"	2.4"
	215525	2.5"	4.00"	2.6"
TruStream12	215124	2.0"	7.00"	2.6"
	215128	2.5"	7.00"	2.8"
			7.50"	3.1"

