



**I Application**

Kiber KS progressive cavity pumps are used to transfer products of low and high viscosity as well as products containing soft particles. They are also recommended for use with edible oils, wine, concentrates and beverages in general. They can also be used to transfer viscous food products.

**I Design and features**

KS type is a sanitary progressive cavity pump.  
 Bare shaft construction with bearing support.  
 Due to the design, they are self-priming and reversible.  
 Open transmission (hygienic design).  
 Eccentric outlet.

**I Technical specifications**

**Materials:**

Parts in contact with the product	Stainless steel AISI 316L (1.4404)
Other steel parts	Stainless steel AISI 304 (1.4301)
Bearing support	GG-22
Stator	NBR negro (according to FDA and EC 1935/2004)
Gaskets in contact with the product	FPM (according to FDA and EC 1935/2004)

**Single internal mechanical seal EN 12756 I1k (according to FDA and EC 1935/2004):**

Rotary part	Silicon carbide (SiC)
Stationary part	Carbon (C)
Gaskets	FPM

**Surface finish:**

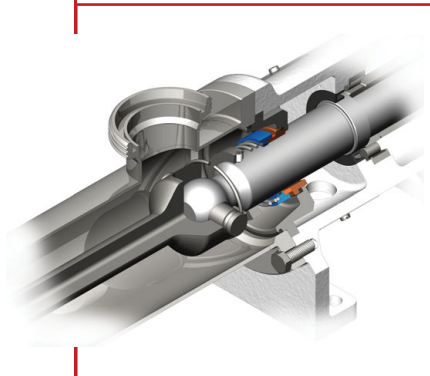
Internal	Bright polish, Ra ≤ 0,8 µm
External	Matt

**Connections:**

- DIN 11851
- CLAMP
- SMS

**Operating limits (depending on the model):**

Maximum flow	45 m <sup>3</sup> /h	198 US GPM
Maximum working pressure		
- single stage	6 bar	87 PSI
- double stage	12 bar	174 PSI
Maximum working temperature	85 °C (depending on materials) 185 °F	
Maximum speed	1450 rpm	



### I Technical specifications

Type	Capacity at 100 rev. [l]	Max. flow [m <sup>3</sup> /h]	Max. pressure [bar]		Max. speed [rpm]	Min. starting torque [Nm]	
			Single stage	Double stage		Single stage	Double stage
KS-20	2,8	2,4	6	12	1450	18	30
KS-25	6,7	3,8			950	20	36
KS-30	9,8	5,6			950	25	45
KS-40	23,7	13,5			950	45	80
KS-50	45,1	19,5			720	70	125
KS-60	82	24,6			500	110	190
KS-80	185,4	44,5			400	150	260

### I Options

Double pressurized mechanical seal.

Single flushed mechanical seal (Quench).

Mechanical seal: SiC/SiC.

Gland packing.

Stators: white EPDM and black NBR.

Gaskets: EPDM.

Other types of connections.

Heavy-duty transmission.

Fixed transmission.

Pump casing with heating jacket.

Stainless steel trolley.

Electrical control panel.

Bypass pressure relief valve.

Cleaning port (CIP).

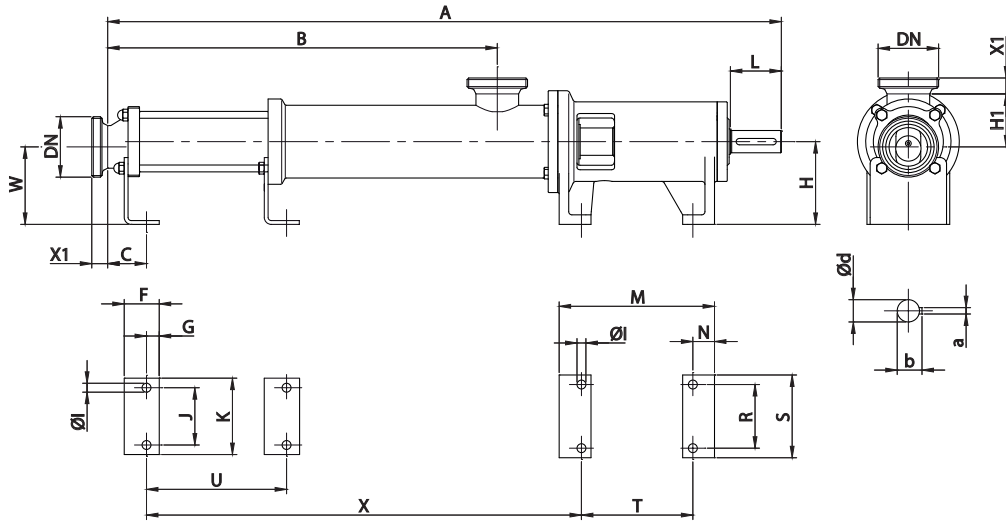
ATEX certification.

### I Dimensions

Type	DN	DIN 11851	SMS	CLAMP OD
		X1		
KS-20 2KS-20	40 1½"	22	23	14
KS-25 2KS-25	50 2"	23	23	21
KS-30 2KS-30	50 2"	23	23	21
KS-40 2KS-40	65 2½"	25	27	20
KS-50 2KS-50	80 3"	40	27	21
KS-60 2KS-60	100 4"	30	30	21,5
KS-80 2KS-80	100 4"	30	30	21,5



I Dimensions



Type	DN	d	L	a	b	A	B	C	F	G	H	H1	I	J	K	M	N	R	S	T	U	X	W	Weight kg
<b>KS-20</b>	40	20	50	6	22,5	612	302	35	35	12	90	61	11	45	70	179	27	70	100	125	-	356	87	14
<b>2KS-20</b>	1½"					712	402															456		15
<b>KS-25</b>	50	25	60	8	27,9	773	416	39	40	15	110	70	11	60	90	204	32	90	120	140	-	481	107	23
<b>2KS-25</b>	2"					865	508															573		24
<b>KS-30</b>	50	25	60	8	27,9	773	416	39	40	15	110	73	11	60	90	204	32	90	120	140	-	481	104	24
<b>2KS-30</b>	2"					923	566															631		25
<b>KS-40</b>	65	35	80	10	38,3	1058	612	61	55	20	130	83	14	90	120	244	34	100	130	175	-	683	122	38
<b>2KS-40</b>	2½"					1248	802															873		44
<b>KS-50</b>	80	35	80	10	38,3	1119	673	65	55	20	130	88	14	90	120	244	34	100	130	175	-	740	117	42
<b>2KS-50</b>	3"					1373	927															994		51
<b>KS-60</b>	100	48	110	14	51,5	1373	830	70	60	20	160	119	18	130	170	271	38	150	190	195	-	932	146	88
<b>2KS-60</b>	4"					1673	1130															1232		107
<b>KS-80</b>	100	48	110	14	51,5	1503	960	90	60	20	160	133	18	150	190	271	38	150	195	195	-	1042	132	105
<b>2KS-80</b>	4"					1903	1360															1442		138



FT:KIBER\_KS.1.EN-0317

**I Performance chart**

