

INNOVA S

Shut-off Double Seat Valve



APPLICATION

The INNOVA S-type valve is a pneumatic shut-off double seat valve for hygienic applications. The leakage chamber, under atmospheric pressure, situated between the two seats ensures a safe interface between the two liquids, one of which is usually a CIP solution (cleaning agent). The leakage chamber is cleaned via the CIP nozzle situated in the lantern.

DESIGN AND FEATURES

- Hygienic design according to EHEDG.
- No leakage during the opening/closing of the valve.
- Balanced lower seat.
- Single-acting pneumatic actuator.
- Easy assembly/disassembly of internal parts.
- Open lantern allows visual inspection of shaft sealing.
- 360° adjustable body.

TECHNICAL SPECIFICATIONS

Materials

Parts in contact with the product	1.4404 (AISI 316L)
Other stainless steel parts	1.4301 (AISI 304)
Gasket in contact with the product	EPDM

Surface finish

Internal	Bright polish $Ra \leq 0,8 \mu m$
External	Matt

Available sizes

DIN EN 10357 serie A (previously DIN 11850 series 2)	DN 40 - DN 100
ASTM A269/270 (corresponds to OD pipe)	OD 1½" - OD 4"

Connections

Weld

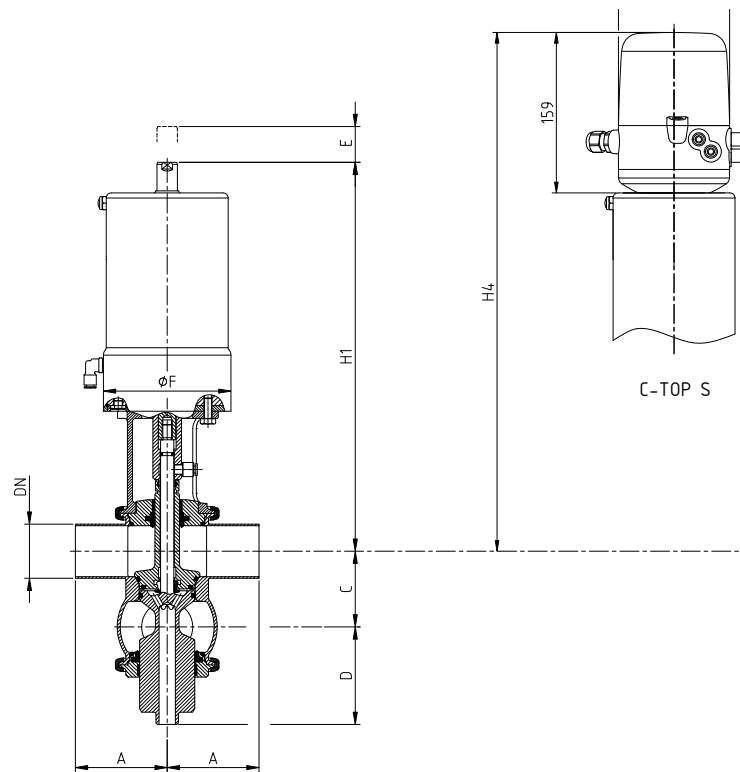
Operating limits

Temperature range	-10°C to 121°C
SIP Temperature	140°C (max. 30 min)
Maximum working pressure	1000 kPa (10 bar)
Minimum working pressure	Vacuum
Compressed air pressure	6 - 8 bar

OPTIONS

Gaskets: FPM, HNBR.
 Other connection types.
 C-TOP S control unit.
 External position sensors.
 Internal surface finish: $Ra \leq 0,5 \mu m$.

DIMENSIONS

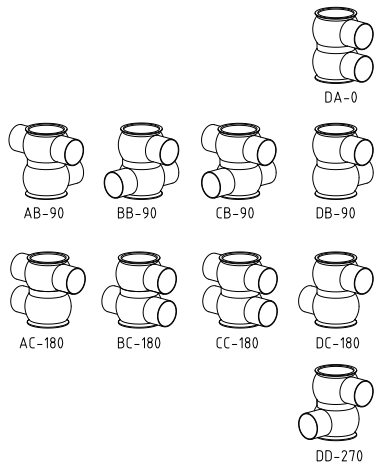


10.251.32.0041

	DN	Pipe	A	C	D	E	ØF	H1	H4	kg ¹
DIN	40	41,0 x 1,50	85	62	90	24	125	375	504	13
	50	53,0 x 1,50	90	74	96	24	125	381	510	15
	65	70,0 x 2,00	110	92	122	30	161	469	598	27
	80	85,0 x 2,00	125	107	129	30	161	477	605	30
	100	104 x 2,00	150	127	159	45	193	521	650	45
OD	1½"	38,1 x 1,65	85	59	91	24	125	377	505	13
	2"	50,8 x 1,65	90	72	97	24	125	382	511	15
	2½"	63,5 x 1,65	110	86	125	30	161	472	601	27
	3"	76,2 x 1,65	125	99	133	30	161	481	609	30
	4"	101,6 x 2,11	150	124	160	45	193	523	651	45

1) The weights correspond to the CB-90 housing combination

HOUSING COMBINATIONS



10.250.32.0049