

APV DELTA PR2

SAMPLING VALVE

FORM NO.: H170787 REVISION: UK-4

READ AND UNDERSTAND THIS MANUAL PRIOR TO OPERATING OR SERVICING THIS PRODUCT.



EU Declaration of Conformity for Valves and Valve Manifolds

SPX Flow Technology Germany GmbH
Gottlieb-Daimler-Str. 13, D-59439 Holzwickede
herewith declares that the

**APV double seal and double seat valves of the series
SD4, SDT4, SDU4, SDMS4, SDMSU4, SDTMS4, SWcip4, DSV,
DA4, D4 SL, D4, DA3, DA3SLD, DE3, DEU3, DET3, DKR2, DKRT2, DKRH2**
in the nominal diameters DN 25 - 150, ISO 1" – 6" and 1 Sh5 - 6 Sh5

APV butterfly valves of the series SV1 and SVS1F, SVL and SVSL
in the nominal diameters DN 25 - 100, DN 125 - 250 and ISO 1" – 4"

APV ball valves of the series KHI, KHV
in the nominal diameters DN 15 - 100

**APV single seat, diaphragm and spring loaded valves of the series
S2, SW4, SWhp4, SW4DPF, SWmini4, SWT4, SWS4, MF4, MS4, MSP4, AP/T1, CPV,
RG4, RG4DPF, RGMS4, RGE4, RGE4DPF, RGEMS4, PR2, PRD2, SI2, UF/R3, VRA/H**
in the nominal diameters DN 10 - 150, ISO 1/2" – 4" and 1 Sh5 - 6 Sh5

and the valve manifolds installed thereof

meet the requirements of the Directives 2006/42/EC (superseding 89/392/EEC
and 98/37/EC) and ProdSG (superseding GPSG - 9.GPSGV).

For official inspections, SPX FLOW presents
a technical documentation according to Appendix VII of the Machinery Directive,
this documentation consisting of documents of the development and construction,
description of measures taken to meet the conformity and to correspond with
the basic requirements on safety and health, incl. an analysis of the risks,
as well as an operating manual with safety instructions.

The conformity of the valves and valve manifolds is guaranteed.

Authorised person for the documentation:
Frank Baumbach

SPX Flow Technology Germany GmbH
Gottlieb-Daimler-Str. 13, D-59439 Holzwickede, Germany

May 2018

ppa. Baumbach

Frank Baumbach
Regional Engineering Manager, F&B Components

| Table of contents | | Page |
|--------------------------|--|---------------|
| 1. | General Terms | 2 |
| 2. | Safety Instructions | 2 |
| 3. | Intended Use | 2 |
| 4. | Mode of Operation | 3 |
| 4.1. | Manually operated design (PR2-HF) | |
| 4.2. | Pneumatically operated design (PR2-FS-H) | |
| 5. | Auxiliary Equipment | 3 |
| 6. | Cleaning | 4 |
| 7. | Installation | 4 |
| 7.1 | Welding instructions | |
| 8. | Maintenance | 5 |
| 9. | Dimensions / Weights | 6 |
| 10. | Materials | 7 |
| 11. | Technical Data | 7 |
| 11.1. | General terms | |
| 11.2. | Compressed air quality | |
| 12. | Service Instructions | 8 |
| | Manually operated design - PR2-HF | |
| 12.1. | Dismantling from the line system | |
| 12.2. | Installation of seals and assembly of valve | |
| 13. | Service Instructions | 9 - 10 |
| | Pneumatically operated design PR2-FS-H | |
| 13.1. | Dismantling from the line system | |
| 13.2. | Installation of seals and assembly of valve | |
| 14. | Trouble Shooting | 11 |
| 15. | Spare Parts Lists | 12 |
| | PR2 - HF DN design, Inch design RN 01.143.0 | |
| | PR2 - FS - H DN design, Inch design RN 01.146-2 | |

1. General Terms

This operating manual should be read carefully by the competent operating and maintenance personnel.

We point out that we will not accept any liability for damage or malfunctions resulting from the non-compliance with this manual.

Descriptions and data are subject to technical changes.

2. Safety Instructions



DANGER!

- The technical safety symbol draws your attention to important directions for operating safety. You will find it wherever the activities described are bearing risks of personal injury.
 - Before any maintenance work, the line and cleaning systems must be **depressurized** and discharged if possible.
 - Observe Service Instructions to ensure safe maintenance of the valve.
 - The valve must be assembled, disassembled and reassembled only by persons who have been trained in APV valves or by SPX FLOW service team members. If necessary, contact your local SPX FLOW representative.
-

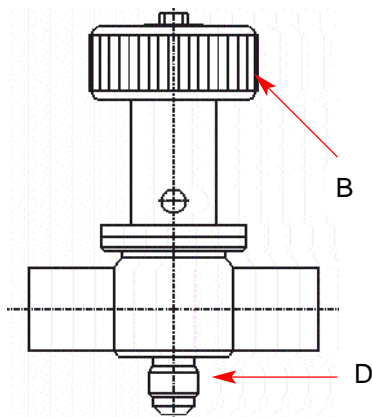
3. Intended Use

The intended use as field of application of the PR valve is the sample taking of liquids from the respective line section.

Arbitrary, constructive changes at the valve will influence safety as well as the intended functionality of the valve and are not permissible.

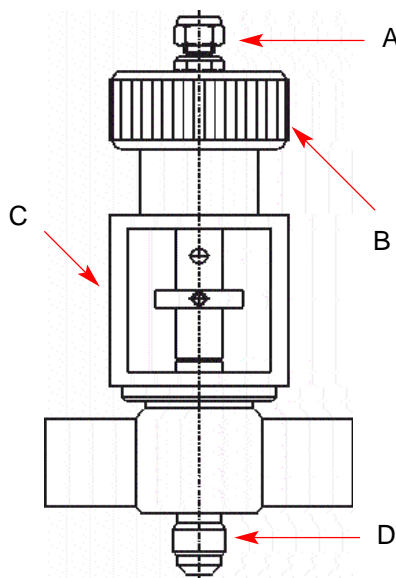
4. Mode of Operation

4.1. Manually operated design (PR2-HF)



For sample taking the handle (B) is operated.
 turn left = open
 turn right = closed
 (until the spring force closes the valve again.)

4.2. Pneumatically operated design (PR2-FS-H)



For sample taking the handle (B) is operated.
 turn left = open
 turn right = closed
 (until the spring force closes the valve again.)

During the cleaning process, the sampling valve can be controlled with air (A). Thus, the valve seat can be cleaned.

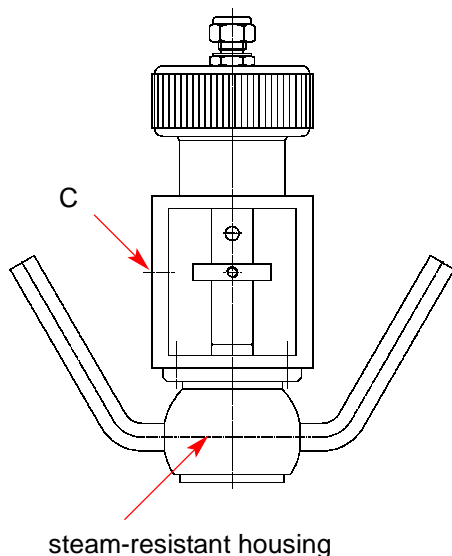
5. Auxiliary Equipment

* Valve position indication

A proximity switch to signal the valve position can be mounted in the yoke area (C) if required.

* Steam-resistant housing (DN 25)

This housing is available for both valve operating types and is welded direct to the tank or pipeline in vertical position. It is equipped with connections for the steam inlet and outlet.



6. Cleaning

- In the standard designs, the valve is cleaned during the pipe cleaning process.
- By short-term interval-opening of the valve, the contact surface between the valve shaft and the seat is cleaned, whereas liquid drains off the sampling nozzle **(D)**.
- The valve equipped with steam connection is cleaned and sterilized through the connecting tubes.

7. Installation

- The installation of the valve must be undertaken in such a way that liquids can drain off the valve housing.
- The steam-resistant valve must be mounted in vertical position, whereas the connecting tubes must be at the top and at the bottom.
- The standard valves can be welded direct into the pipelines either in horizontal position (sampling connection to the bottom) or in vertical position.
- **Attention!** Observe Welding instructions.

7.1 Welding instructions PR2

- Before welding of the valves, the valve insert must be dismantled from the housing. See to a careful handling to avoid damage.
- Welding may only be carried out by certified welders DIN EN ISO 9606-1). (Seam quality DIN EN ISO 5817).
- The welding of the valve housing must be undertaken in such a way that deformation strain cannot be transferred from the outside to the valve body.
- The preparation of the weld seam up to 3 mm wall thickness must be carried out in butt manner as a square butt joint without air. (Consider shrinkage!)
- TIG orbital welding is best.
- After welding of the valve housings or of the mating flanges and after work at the pipelines, the corresponding parts of the installation or pipelines must be cleaned from welding residues and soiling. If these cleaning instructions are not observed, welding residues and dirt particles can settle in the valve and cause damage.
- Any damage resulting from the nonobservance of these welding instructions is not subject to our guarantee.
- Welding directives for aseptic applications shall be drawn from the AWS/ANSI Directives and EHEDG Guidelines.

8. Maintenance

- The maintenance intervals are different depending on the application and are to be determined by the operator himself carrying out temporary checks.
- Complete seal kits for the valve service are available (see spare parts lists).
- Exchange of seals according to Service Instructions.
- Provide all seals with a thin layer of grease before their installation.

Recommendation:

APV assembly grease for EPDM, HNBR and FPM

(750 g /tin - ref.-No. 000 70-01-019/93; H147382)

(60 g /tube - ref.-No. 000 70-01-018/93; H147381)

or

APV assembly grease for VMQ

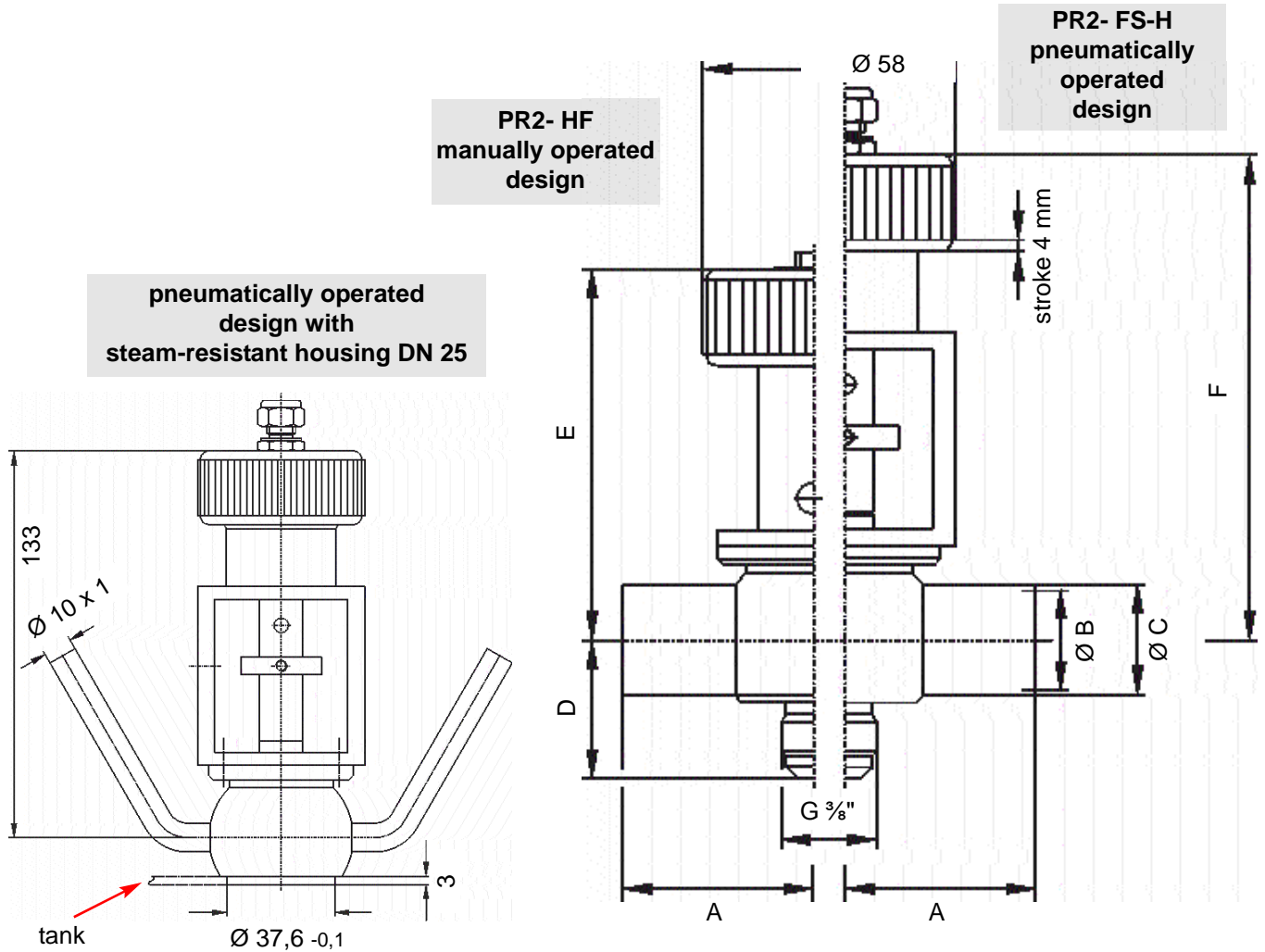
(600 g /tin - ref.-No. 000 70-01-017/93; H147380)

(60 g /tube - ref.-No. 000 70-01-016/93; H147379).

- ! Do not use grease containing mineral oil for EPDM seals !**
- ! Do not use Silicone-based grease for VMQ seals !**

- Assembly of the valve according to Service Instructions.

9. Dimensions / Weights



| weights in kg | | | |
|---------------|------|----------|--------------|
| DN | Inch | PR2 - HF | PR2 - FS - H |
| 25 | 1" | 0,9 | 1,9 |
| 40 | 1,5" | 1,0 | 2,0 |
| 50 | 2" | 1,2 | 2,2 |
| 65 | 2,5" | 1,4 | 2,4 |
| 80 | 3" | 1,9 | 2,9 |
| 100 | 4" | 2,6 | 3,6 |

| dimensions in mm | | | | | | |
|------------------|-----|------|-------|------|-------|-------|
| DN | A | Ø B | Ø C | D | E | F |
| 25 | 50 | 26 | 29 | 37 | 98,5 | 134 |
| 40 | 67 | 38 | 41 | 46 | 102,5 | 138 |
| 50 | 72 | 50 | 53 | 52 | 108,5 | 144 |
| 65 | 85 | 66 | 70 | 60 | 116,5 | 152 |
| 80 | 98 | 81 | 85 | 67,5 | 124 | 159,5 |
| 100 | 111 | 100 | 104 | 77 | 133,5 | 169 |
| 125 | 130 | 125 | 129 | 89,5 | 146 | 181,5 |
| Inch | | | | | | |
| 1" | 50 | 22,2 | 25,4 | 35,1 | 96,6 | 132,1 |
| 1,5" | 67 | 34,8 | 38 | 44,4 | 100,9 | 136,4 |
| 2" | 72 | 47,6 | 50,8 | 50,8 | 107,3 | 142,8 |
| 2,5" | 85 | 60,3 | 63,5 | 57,2 | 113,7 | 149,2 |
| 3" | 90 | 72,9 | 76,1 | 63,5 | 118,0 | 155,5 |
| 4" | 111 | 97,6 | 101,6 | 75,8 | 132,3 | 167,8 |

10. Materials

| | |
|--|--------------------------------------|
| housing, housing cover | 1.4404 (DIN EN 10088) |
| spring cylinder, yoke, upper part of shaft, operating cam, screws, air connection | 1.4301 (DIN EN 10088) |
| seals standard option | EPDM HNBR, FPM, VMQ |
| lower part of shaft | PTFE / 25 % glass fiber |
| handle | Hostalen |

11. Technical Data

11.1. General data

| | |
|--|---|
| - max. line pressure | 10 bar |
| - max. operating temperature | 135 °C EPDM, HNBR *VMQ, *FPM |
| - short-term load | 140 °C EPDM, HNBR *VMQ, *FPM *(no steam) |
| - max. stroke | 4 mm |
| - control pressure for air-operated valve | 10 bar max. / 6 bar min. |
| - air connection for hose | 6 x 1 |

11.2 Specification of compressed air quality

compressed air quality: quality class according to
DIN ISO 8573-1

content of solid particles: quality class 3
max. size of solid particles per m³
10000 of 0,5µm < d < 1,0 µm
500 of 1,0 µm < d < 5,0 µm

content of water: quality class 3
max. dew point temperature -20 °C
For installations at lower
temperatures or at higher altitudes,
additional measures must be
considered to reduce the pressure
dew point accordingly.

content of oil: quality class 1
max. 0,01mg/m³

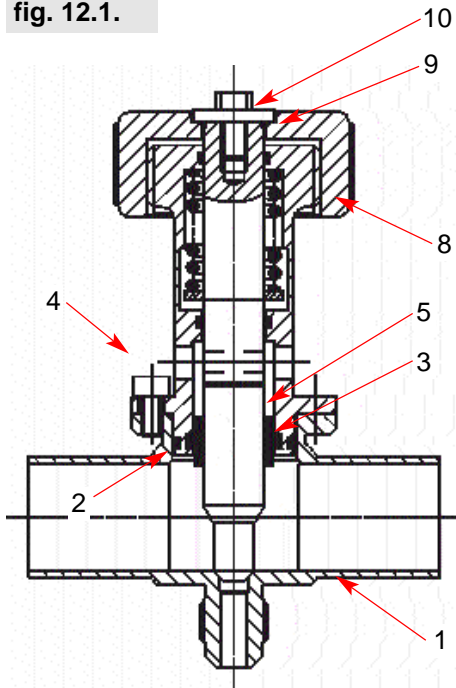
**The oil applied must be compatible with Polyurethane
elastomer materials.**

12. Service Instructions

Manually operated design - PR2 HF (fig. 12.1.)

The item numbers refer to the spare parts drawing **RN 01.143.0**

fig. 12.1.



12.1. Dismantling from the line system

1. Shut off line pressure in the product line.
2. Turn handle **(8)** to the left until the valve is in open position.
3. Remove flange screw **(4)** and take the complete valve insert out of the housing **(1)**.
4. Remove o-ring **(2)**.
5. Insert a small screws driver through the bore into the spring housing and into the shaft **(5)** to prevent the shaft from turning.
6. Remove hexagon screw **(10)** and washer **(9)** and press the shaft **(5)** into the direction of the PTFE part out of the housing.
7. Pull the PTFE shaft tip **(5.2)** from the metal part **(5.1)**. The PTFE tip is destroyed during this action.
8. Remove the shaft seal **(3)** from the spring housing.

12.2. Installation of seals and assembly of valve - PR2 HF

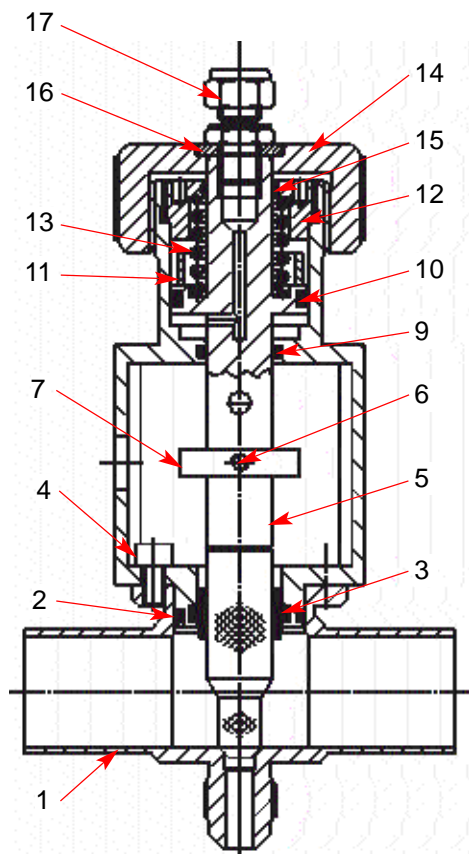
1. Press the slightly greased shaft seal **(3)** into the groove of the spring housing.
2. Place the PTFE shaft tip **(5.2)** on the metal part **(5.1)** and lock it into place.
3. Push the valve shaft **(5)** with the metal part to the front through the shaft seal into the spring housing.
4. Insert a small screw driver into the bore of the spring housing and of the shaft **(5)** to prevent the shaft from turning.
5. Screw the hexagon screw **(10)** with washer **(9)** in the shaft and tighten it.
6. Insert the slightly greased O-ring **(2)**.
7. Press the complete valve insert into the housing **(1)** and fix it with the flange screws **(4)**.
8. Check the function of the valve by turning it on and off several times.

13. Service Instructions

Pneumatically operated design PR2-FS-H (fig. 13.1.)

The item numbers refer to the spare parts drawing **RN 01.146-2**.

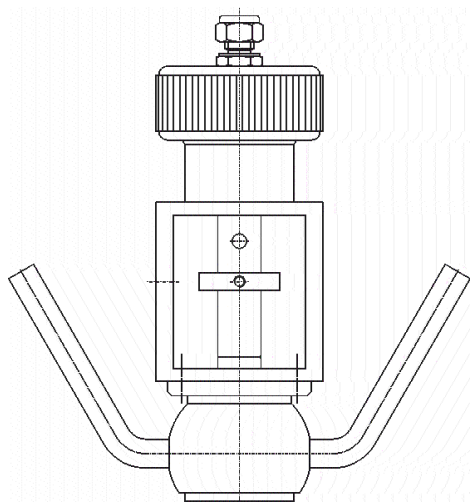
fig. 13.1.



13.1. Dismantling from the line system

1. Shut off line pressure in the product line.
2. Remove pneumatic air line.
3. Release clamp screw of feedback support and pull off proximity switch.
4. Turn handle **(14)** to the left until the valve is in open position.
5. Remove flange screws **(4)** and take the complete valve insert out of the housing **(1)**.
6. Remove o-ring **(2)**.
7. Insert a small screw driver through the shaft bore to prevent the shaft from turning.
8. Remove union **(17)** and washer **(16)** and screw off the handle **(14)**.
9. Turn off the cover **(12)**. Insert two pins into the bore of the cover to move the cover. Spring **(13)** and distance tube **(11)** are now accessible.
10. Remove o-ring **(15)**.
11. Release threaded pin **(6)** and press the shaft **(5)** out to the top. The switching ring **(7)** backs out during this procedure.
12. Pull the PTFE shaft tip **(5.2)** from the metal part **(5.1)**. The PTFE tip is destroyed during this action.
13. Remove the shaft seal **(3)** and o-rings **(9, 10)**.

**Pneumatic design
with steam-resistant housing DN25**



13. Service Instructions

Pneumatically operated design (PR2-FS-H)

13.2. Installation of seals and assembly of valve (PR2-FS-H)

1. Slightly grease the shaft seal **(3)** and o-ring **(9, 10, 15)** and place them into the grooves.
2. Place the PTFE shaft tip **(5.2)** on the metal part **(5.1)** and lock it into place.
3. Push the shaft **(5)** from the top through the yoke **(8)**, the switching ring **(7)** and the shaft seal **(3)**.
4. Insert spring **(13)** and distance tube **(11)** and tighten the cover **(12)** until it stops.
5. Screw on the handle **(14)** and secure the shaft against turning (**bore in shaft**).
6. Screw the union **(17)** with washer **(16)** into the shaft.
7. Adjust the switching ring **(7)** on the level of the yoke bore by tightening the threaded pin **(6)** and open the valve by turning the handle to the left.
8. Insert the slightly greased o-ring **(2)**.
9. Press the complete valve insert into the housing **(1)** and fasten it with the flange screws **(4)**.
10. Connect the pneumatic air line.
11. Push the proximity switch into the holder up to a distance of about 2 mm from the switching ring **(7)**.

The shift point can be adjusted by moving the switching ring and the proximity switch if necessary.

Fix the switching ring and proximity switch holder with the clamp screws.

12. Check the function of the valve by several opening and closing.

14. Trouble Shooting

| <i>Trouble</i> | <i>Remedy</i> |
|---|---|
| <i>Manually operated design</i> | |
| The item numbers refer to the spare parts drawing RN 01.143.0 / 01.143.1 Failure removal see chapters 12.1. and 12.2. Service Instructions | |
| Leakage at sampling connection | Turn handle (8) in position "OFF". Replace tip of valve shaft (5.2) . |
| Leakage between housing and yoke flange | Replace o-ring (2) . |
| Leakage at yoke bore | Replace shaft seal (3) . |
| Valve does not open. | Check if screw (10) sticks. |
| <i>Pneumatically operated design</i> | |
| The item numbers refer to the spare parts drawing RN 01.146-2 Failure removal see chapters 13.1. and 13.2. Service Instructions | |
| Leakage at sampling connection | Turn handle (14) in position "OFF". Replace tip of valve shaft (5.2) . Shut off pneumatic air supply. |
| Leakage between housing and yoke flange | Replace o-ring (2) . |
| Leakage at shaft passage | Replace shaft seal (3) . |
| <i>Actuator</i> | |
| Actuator does not work, air escapes at the handle. | Replace o-ring (10) . |
| Air escapes from valve shaft. | Replace o-ring (9) . |
| <i>Valve position indication</i> | |
| Valve position does not work or is unprecise. No feedback. | Carry out fine adjustment. |

15. Spare Parts Lists

The reference numbers of the spare parts for the different valve designs and sizes are included in the attached spare parts drawings with corresponding lists.

Please indicate the following data to place an order for spare parts:

- required number of parts
- reference number
- designation.

Data are subject to change.

Weitergabe sowie Vervielfältigung dieser Unterlage, Verwertung und Mitteilung ihres Inhalts nicht gestattet, soweit nicht schriftlich zugestanden. Verstoß verpflichtet zum Schadensersatz und kann strafrechtliche Folgen haben (Paragraf 18 UWG, Paragraf 106 UrhG). Eigentum und alle Rechte, auch für Patenterteilung und Gebrauchsmustererteilung, vorbehalten. SPX FLOW, Germany

Ersatzteilliste: spare parts list

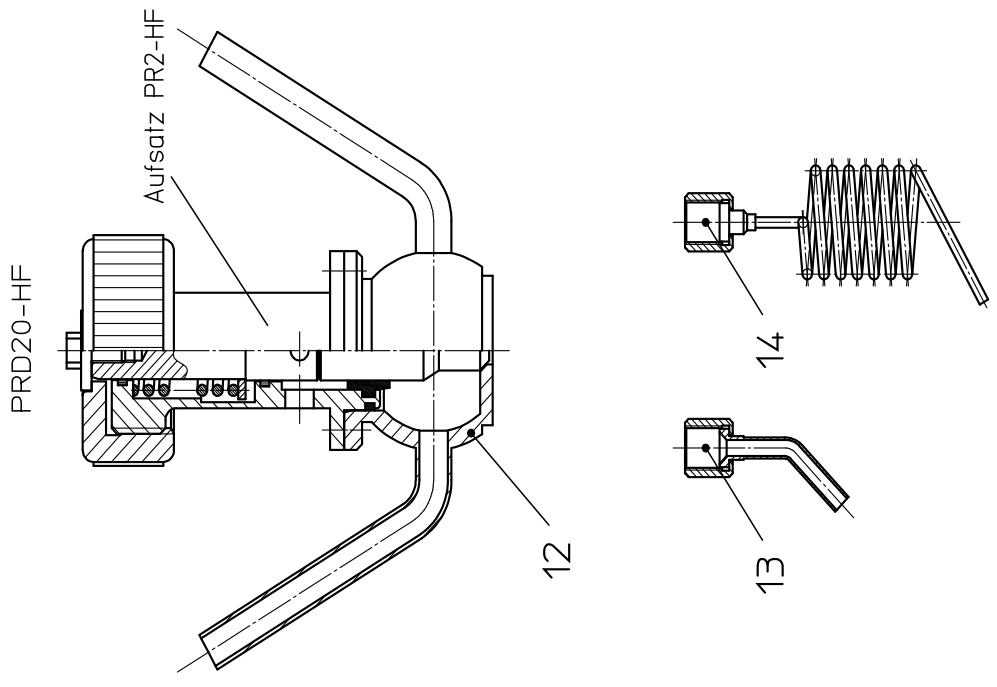
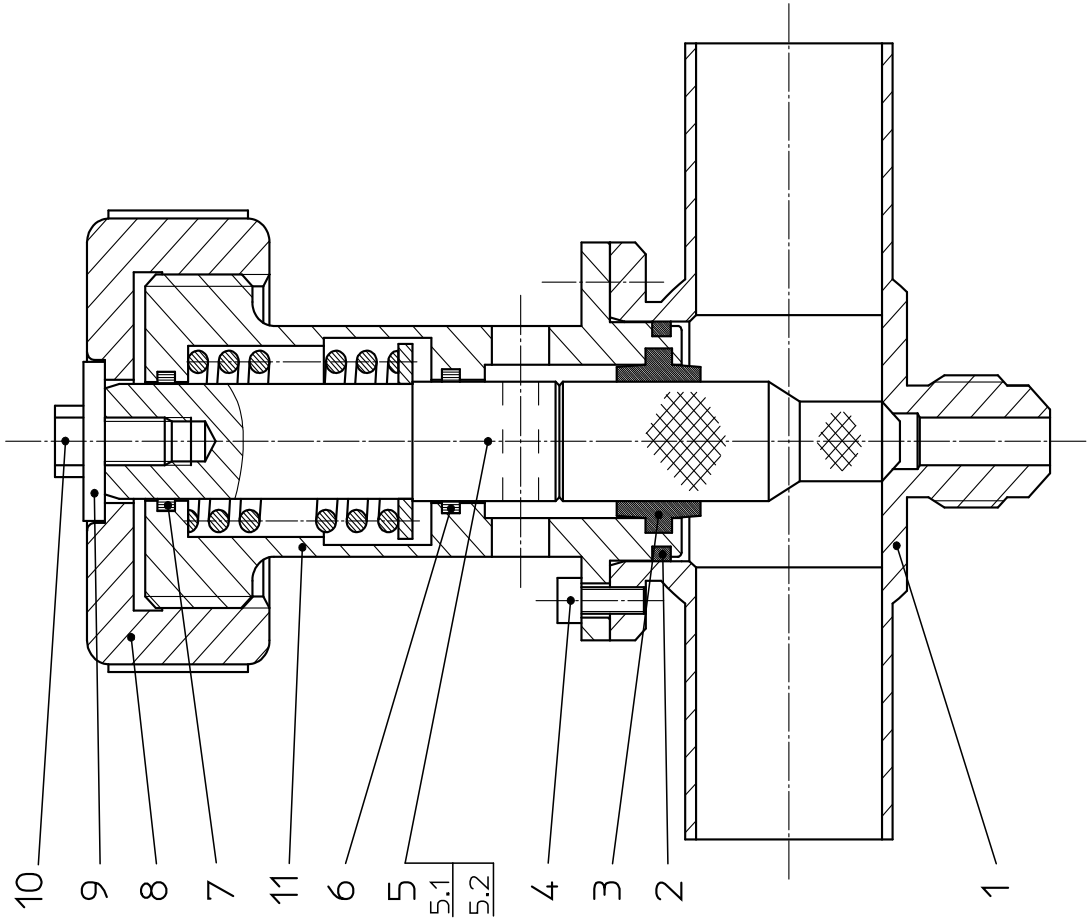
Probeentnahmeventil PR2, PRD2 -HF Sampling valve PR2, PRD2 (steam connection) manual DN25-125 ; 1-4 Zoll / inch

| | | |
|----------|----------|----------|
| Datum: | 27.10.14 | 29.02.16 |
| Name: | Trytko | Trytko |
| Geprüft: | | |

| | | |
|----------|--|--|
| Datum: | | |
| Name: | | |
| Geprüft: | | |

Blatt 1 von 10

RN 01.143.0



Ersatzteilliste: spare parts list

Probenentnahmeventil PR2, PRD2 -HF Sampling valve PR2, PRD2 (steam connection) manual DN25-125 ; 1-4 Zoll / inch

| pos. item | Menge quantity | Beschreibung description | Material | DN25 | | | 1" | | | DN40 | | | 1,5" | | | DN50 | | | 2" | |
|--------------|----------------------------------|--|---------------------|-------------------------|------------------------------|-------------------------|-------------------------|-------------------------|-------------------------|--------------------|--------------------|--------------------|--------------------|--------------------|--------------------|--------------------|--|--|----|--|
| | | | | WS-Nr. ref.-no. | WS-Nr. ref.-no. | WS-Nr. ref.-no. | WS-Nr. ref.-no. | WS-Nr. ref.-no. | WS-Nr. ref.-no. | WS-Nr. ref.-no. | WS-Nr. ref.-no. | WS-Nr. ref.-no. | WS-Nr. ref.-no. | WS-Nr. ref.-no. | WS-Nr. ref.-no. | WS-Nr. ref.-no. | | | | |
| 1 | 1 | Gehäuse Housing | 1.4404 | 21-08-787/47 H122256 | 21-08-892/47 H161921 | 21-08-771/47 H12880 | 21-08-837/47 H204834 | 21-08-772/47 H50661 | | | | | | | | | | | | |
| | 1 | Gehäuse Housing | 1.4404 | 21-08-769/07 H50647 | 21-08-164/47 H311685 | 21-08-771/47 H12880 | 21-08-837/47 H204834 | 21-08-772/47 H50661 | | | | | | | | | | | | |
| 1 | 1 | Aufsatz PR2-HF Insert sampling valve manual | EPDM-1.4404 | 15-27-289/59 H105480 | 15-27-314/59 H311691 | 15-27-389/59 H105482 | 15-27-414/59 H207833 | 15-27-439/59 H105484 | | | | | | | | | | | | |
| | 1 | Aufsatz PR2-HF Insert sampling valve manual | FPM-1.4404 | 15-27-289/69 H207120 | 15-27-314/69 H323215 | 15-27-389/69 H207120 | 15-27-414/69 H204840 | 15-27-439/69 H204840 | | | | | | | | | | | | |
| | 1 | Aufsatz PR2-HF Insert sampling valve manual | HNBR-1.4404 | 15-27-289/29 H320011 | 15-27-314/29 H323215 | 15-27-389/29 H207013 | 15-27-414/29 H207977 | 15-27-439/29 H207977 | | | | | | | | | | | | |
| | 1 | Aufsatz PR2-HF Insert sampling valve manual | VMQ-1.4404 | 15-27-289/61 H207120 | 15-27-314/61 H323215 | 15-27-389/61 H112876 | 15-27-414/61 H207977 | 15-27-439/61 H105485 | | | | | | | | | | | | |
| 2 | 1 | O-Ring O-ring | EPDM | OR 25,3x2,4 | | 58-06-102/63 H76954 | | | | | | | | | | | | | | |
| | 1 | O-Ring O-ring | FPM | OR 25,3x2,4 | | 58-06-102/73 H76952 | | | | | | | | | | | | | | |
| | 1 | O-Ring O-ring | HNBR | OR 25,3x2,4 | | 58-06-102/33 H207019 | | | | | | | | | | | | | | |
| | 1 | O-Ring O-ring | VMQ | OR 25,3x2,4 | | 58-06-102/53 H76953 | | | | | | | | | | | | | | |
| | 1 | Schaftdichtung Shaft seal | EPDM FDA-konform | | | 58-33-014/93 H77374 | | | | | | | | | | | | | | |
| 3 | 1 | Schaftdichtung Shaft seal | FPM FDA-konform | | | 58-33-014/73 H77374 | | | | | | | | | | | | | | |
| | 1 | Schaftdichtung Shaft seal | HNBR FDA-konform | | | 58-33-014/33 H172192 | | | | | | | | | | | | | | |
| | 1 | Schaftdichtung Shaft seal | VMQ FDA-konform | | | 58-33-014/13 H77372 | | | | | | | | | | | | | | |
| 4 | 3 Zyl. Schraube Cyl. Screw | 1.43001 | DIN EN ISO 4762 | | 65-06-050/13 M5x10 H79027 | | | | | | | | | | | | | | | |
| 5 | 1 | Schaft komplett Shaft complete | Teflon 1.4301 | | 21-22-829/12 H311696 | 21-22-841/12 H106535 | 21-22-830/12 H204842 | 21-22-842/12 H106536 | | | | | | | | | | | | |
| | 1 | Schaft komplett Shaft complete | | | 21-22-840/12 H106534 | 21-22-829/12 H311696 | 21-22-841/12 H106535 | 21-22-830/12 H204842 | 21-22-842/12 H106536 | | | | | | | | | | | |

Weitergabe sowie Vervielfältigung dieser Unterlage, Verwertung und Mitteilung ihres Inhalts nicht gestattet, soweit nicht schriftlich zugestanden. Verstößt verpflichtet zum Schadensersatz und kann strafrechtliche Folgen haben (Paragraf 18 UWG, Paragraf 106 UrhG). Eigentum und alle Rechte, auch für Patenterteilung und Gebrauchsmustereintragung, vorbehalten. SPX FLOW, Germany

Ersatzteilliste: spare parts list

**Probeentnahmeventil PR2, PRD2 -HF
Sampling valve PR2, PRD2 (steam connection) manual
DN25-125 ; 1-4 Zoll / inch**

| | | |
|----------|----------|----------|
| Datum: | 27.10.14 | 29.02.16 |
| Name: | Trytko | Trytko |
| Geprüft: | | |
| Datum: | | |
| Name: | | |
| Geprüft: | | |



Blatt 3 von 10
RN 01.143.0

| pos. item | Menge quantity | Beschreibung description | Material | DN25 | 1" | 1,5" | DN50 | 2" | |
|-----------|----------------|----------------------------------|--------------|------------------------------|-------------------------|-------------------------|------------------------|-------------------------|--|
| 5.1 | 1 | Schaft Shaft | 1.4301 | | | | | | |
| 5.2 | 1 | Schaftspitze Shaft tip | Teflon 25%GF | 15-23-800/93 H31459 | 15-23-809/93 H311692 | 15-23-810/93 H204841 | 15-23-803/93 H31461 | 15-23-811/93 H208089 | |
| 6 | 1 | Führungsband PTFE guide strap | Turcite | 21-22-820/12 H106531 | | | | | |
| 7 | 1 | Führungsband PTFE guide strap | Turcite | 08-39-162/93 H105069 | | | | | |
| 8 | 1 | Rändelmutter Nut | Hostalen | 65-58-705/93 H79569 | | | | | |
| 9 | 1 | Scheibe Washer | 1.4301 | 67-01-176/17 H107969 | | | | | |
| 10 | 1 | Skt. Schraube Hex. Screw | 1.4301 | 65-01-055/13 M6x12 H78750 | | | | | |
| 11 | 1 | Federgehäuse Spring housing | 1.4404 | 16-30-120/47 H105721 | | | | | |
| 12 | 1 | Gehäuse PRD21 Housing PRD21 | 1.4404 | 21-08-864/47 H169765 | | | | | |
| | 1 | Gehäuse PRD22 Housing PRD22 | 1.4404 | 21-08-768/47 H106524 | | | | | |
| | | Zubehör / accessories | | | | | | | |
| 13 | 1 | Auslaufrohr Drain pipe | 1.4404 | 08-22-710/47 H114384 | | | | | |
| 14 | 1 | Auslaufrohr Drain pipe | 1.4404 | 08-22-712/43 H164349 | | | | | |

Ersatzteilliste: spare parts list

**Probeentnahmeventil PR2, PRD2 -HF
Sampling valve PR2, PRD2 (steam connection) manual
DN25-125 ; 1-4 Zoll / inch**

| | | |
|--------------------|----------|----------|
| Datum: | 27.10.14 | 29.02.16 |
| Name: | Trytko | Trytko |
| Geprüft: | | |
| Datum: | | |
| Name: | | |
| Geprüft: | | |
| Blatt 5 von 10 | | |
| RN 01.143.0 | | |

| pos. item | Menge quantity | Beschreibung description | Material | DN65 | 2,5" | 3" | DN80 | DN100 | 4" |
|-----------|----------------|--------------------------------|---------------------|-------------------------|-------------------------|-------------------------|-------------------------|-------------------------|-------------------------|
| | | | | WS-Nr. ref.-no. | WS-Nr. ref.-no. | WS-Nr. ref.-no. | WS-Nr. ref.-no. | WS-Nr. ref.-no. | WS-Nr. ref.-no. |
| 1 | 1 | Gehäuse Housing 1S | 1.4404 | | | | | | |
| | 1 | Gehäuse Housing 1+2S | 1.4404 | 21-08-773/07 H112950 | 21-08-920/47 H208493 | 21-08-774/47 H112952 | 21-08-775/47 H112954 | 21-08-776/47 H112959 | 21-08-921/47 H311333 |
| 2 | 1 | Aufsatz PR2-HF | EPDM-1.4404 | 15-27-489/59 H105488 | 15-27-514/59 H312483 | 15-27-564/59 H105491 | 15-27-539/59 H105489 | 15-27-639/59 H105492 | 15-27-664/59 H315750 |
| | 1 | Aufsatz PR2-HF | FPM-1.4404 | 15-27-489/69 H156094 | 15-27-514/69 H331559 | 15-27-564/69 H331560 | 15-27-539/69 H105489 | 15-27-639/69 H105492 | 15-27-664/69 H315750 |
| | 1 | Aufsatz PR2-HF | HNBR-1.4404 | 15-27-489/29 H323723 | 15-27-514/29 | 15-27-564/29 H207976 | 15-27-539/29 | 15-27-639/29 | 15-27-664/29 |
| | 1 | Aufsatz PR2-HF | VMQ-1.4404 | 15-27-489/61 H131733 | 15-27-514/61 | 15-27-564/61 | 15-27-539/61 | 15-27-639/61 | 15-27-664/61 |
| 3 | 1 | O-Ring O-ring | EPDM | | | | | | |
| | 1 | O-Ring O-ring | FPM | | | | | | |
| | 1 | O-Ring O-ring | HNBR | | | | | | |
| | 1 | O-Ring O-ring | VMQ | | | | | | |
| | 1 | Schaftdichtung Shaft seal | EPDM FDA-konform | | | | | | |
| | 1 | Schaftdichtung Shaft seal | FPM FDA-konform | | | | | | |
| 4 | 1 | Schaftdichtung Shaft seal | HNBR FDA-konform | | | | | | |
| | 1 | Schaftdichtung Shaft seal | VMQ FDA-konform | | | | | | |
| 5 | 3 | Zyl. Schraube Cyl. Screw | 1.43001 | | | | | | |
| | 1 | Schaft komplett Shaft complete | Teflon 1.4301 | 21-22-843/12 H106537 | 21-22-832/12 H312484 | 21-22-844/12 H106538 | 21-22-845/12 H106539 | 21-22-846/12 H106540 | 21-22-834/12 H314079 |



Weitergabe sowie Vervielfältigung dieser Unterlage, Verwertung und Mitteilung ihres Inhalts nicht gestattet, soweit nicht schriftlich zugestanden. Verstößt verpflichtet zum Schadensersatz und kann strafrechtliche Folgen haben (Paragraf 18 UWG, Paragraf 106 UrhG). Eigentum und alle Rechte, auch für Patenterteilung und Gebrauchsmustereintragung, vorbehalten. SPX FLOW, Germany

Ersatzteilliste: spare parts list

Probeentnahmeventil PR2, PRD2 -HF
Sampling valve PR2, PRD2 (steam connection) manual
DN25-125 ; 1-4 Zoll / inch

| | | |
|----------|----------|----------|
| Datum: | 27.10.14 | 29.02.16 |
| Name: | Trytko | Trytko |
| Geprüft: | | |
| Datum: | | |
| Name: | | |
| Geprüft: | | |

| | |
|----------------|--|
| Blatt 6 von 10 | |
| RN 01.143.0 | |




| pos. item | Menge quantity | Beschreibung description | Material | DN65 | 2.5" | 3" | DN80 | DN100 | 4" |
|-----------|----------------|----------------------------------|--------------|------------------------|-------------------------|------------------------------|------------------------|------------------------|-------------------------|
| | | | | WS-Nr. ref.-no. | WS-Nr. ref.-no. | WS-Nr. ref.-no. | WS-Nr. ref.-no. | WS-Nr. ref.-no. | WS-Nr. ref.-no. |
| 5.1 | 1 | Schaft Shaft | 1.4301 | | | | | | |
| 5.2 | 1 | Schaftspitze Shaft tip | Teflon 25%GF | 15-23-804/93 H31462 | 15-23-812/93 H208497 | 15-23-805/93 H31463 | 15-23-806/93 H31464 | 15-23-807/93 H31465 | 15-23-814/93 H311336 |
| 6 | 1 | Führungsband PTFE guide strap | Turcite | | | 21-22-821/12 H106532 | | | |
| 7 | 1 | Führungsband PTFE guide strap | Turcite | | | 08-39-078/93 H14878 | | | |
| 8 | 1 | Rändelmutter Nut | Hostalen | | | 08-39-162/93 H105069 | | | |
| 9 | 1 | Scheibe Washer | 1.4301 | | | 65-58-705/93 H79569 | | | |
| 10 | 1 | Skt. Schraube Hex. Screw | 1.4301 | | | 67-01-176/17 H107969 | | | |
| 11 | 1 | Federgehäuse Spring housing | 1.4404 | | | 65-01-055/13 M6x12 H78750 | | | |
| 12 | 1 | Gehäuse PRD21 Housing PRD21 | 1.4404 | | | 16-30-120/47 H105721 | | | |
| | 1 | Gehäuse PRD22 Housing PRD22 | 1.4404 | | | | | | |
| | | Zubehör / accessories | | | | | | | |
| 13 | 1 | Auslaufrohr Drain pipe | 1.4404 | | | 08-22-710/47 H114384 | | | |
| 14 | 1 | Auslaufrohr Drain pipe | 1.4404 | | | 08-22-712/43 H164349 | | | |

Weitergabe sowie Vervielfältigung dieser Unterlage, Verwertung und Mitteilung ihres Inhalts nicht gestattet, soweit nicht schriftlich zugestanden. Verstößt verpflichtet zum Schadensersatz und kann strafrechtliche Folgen haben (Paragraf 18 UWG, Paragraf 106 UrhG). Eigentum und alle Rechte, auch für Patenterteilung und Gebrauchsmustereintragung, vorbehalten. SPX FLOW, Germany

Ersatzteilliste: spare parts list

**Probeentnahmeventil PR2, PRD2 -HF
Sampling valve PR2, PRD2 (steam connection) manual
DN25-125 ; 1-4 Zoll / inch**

| | | |
|----------|----------|----------|
| Datum: | 27.10.14 | 29.02.16 |
| Name: | Trytko | Trytko |
| Geprüft: | | |
| Datum: | | |
| Name: | | |
| Geprüft: | | |

| | |
|---|----------|
|  | |
| Blatt | 8 von 10 |
| RN 01.143.0 | |


| pos. item | Menge quantity | Beschreibung description | Material | DN125 | 5" | 6" | WS-Nr. ref.-no. | WS-Nr. ref.-no. | WS-Nr. ref.-no. |
|-----------|----------------|--------------------------------|---------------------|------------------------------|-----------------|-----------------|-----------------|-----------------|-----------------|
| | | | | WS-Nr. ref.-no. | WS-Nr. ref.-no. | WS-Nr. ref.-no. | | | |
| 1 | 1 | Gehäuse Housing 1S | 1.4404 | | | | | | |
| | 1 | Gehäuse Housing 1+2S | 1.4404 | 21-08-778/47 H311281 | | | | | |
| 2 | 1 | Aufsatz PR2-HF | EPDM-1.4404 | 15-27-689/59 H105493 | | | | | |
| | 1 | Insert sampling valve manual | FPM-1.4404 | 15-27-6489/69 | | | | | |
| | 1 | Aufsatz PR2-HF | HNBR-1.4404 | 15-27-689/29 | | | | | |
| | 1 | Insert sampling valve manual | VMQ-1.4404 | 15-27-689/61 | | | | | |
| | 1 | Aufsatz PR2-HF | EPDM | 58-06-102/63 H76954 | | | | | |
| | 1 | Insert sampling valve manual | FPM | 58-06-102/73 H76952 | | | | | |
| 3 | 1 | O-Ring OR 25,3x2,4 | HNBR | 58-06-102/33 H207019 | | | | | |
| | 1 | O-Ring OR 25,3x2,4 | VMQ | 58-06-102/53 H76953 | | | | | |
| | 1 | Schaftdichtung Shaft seal | EPDM FDA-konform | 58-33-014/93 H77374 | | | | | |
| | 1 | Schaftdichtung Shaft seal | FPM FDA-konform | 58-33-014/73 H77373 | | | | | |
| 4 | 1 | Schaftdichtung Shaft seal | HNBR FDA-konform | 58-33-014/33 H172192 | | | | | |
| | 1 | Schaftdichtung Shaft seal | VMQ FDA-konform | 58-33-014/13 H77372 | | | | | |
| 5 | 3 | Zyl. Schraube Cyl. Screw | 1.43001 | 65-06-050/13 M5x10 H79027 | | | | | |
| | 1 | Schaft komplett Shaft complete | Teflon 1.4301 | 21-22-847/12 H106541 | | | | | |

Weitergabe sowie Vervielfältigung dieser Unterlage, Verwertung und Mitteilung ihres Inhalts nicht gestattet, soweit nicht schriftlich zugestanden. Verstöß verpflichtet zum Schadensersatz und kann strafrechtliche Folgen haben (Paragraf 18 UWG, Paragraf 106 UrhG). Eigentum und alle Rechte, auch für Patenterteilung und Gebrauchsmustereintragung, vorbehalten. SPX FLOW, Germany

Ersatzteilliste: spare parts list

**Probeentnahmeventil PR2, PRD2 -HF
Sampling valve PR2, PRD2 (steam connection) manual
DN25-125 ; 1-4 Zoll / inch**

| | | |
|----------|----------|----------|
| Datum: | 27.10.14 | 29.02.16 |
| Name: | Trytko | Trytko |
| Geprüft: | | |
| Datum: | | |
| Name: | | |
| Geprüft: | | |

| | |
|---|----------|
|  | |
| Blatt | 9 von 10 |
| RN 01.143.0 | |

| pos. item | Menge quantity | Beschreibung description | Material | DN125 | 5" | 6" | WS-Nr. ref.-no. | WS-Nr. ref.-no. | WS-Nr. ref.-no. |
|--------------|-------------------|----------------------------------|--------------|------------------------------|--------------------|--------------------|--------------------|--------------------|--------------------|
| | | | | WS-Nr. ref.-no. | WS-Nr. ref.-no. | WS-Nr. ref.-no. | | | |
| 5.1 | 1 | Schaft Shaft | 1.4301 | 21-22-822/12 H106533 | | | | | |
| 5.2 | 1 | Schaftspitze Shaft tip | Teflon 25%GF | 15-23-808/93 H31466 | | | | | |
| 6 | 1 | Führungsband PTFE guide strap | Turcite | 08-39-078/93 H14878 | | | | | |
| 7 | 1 | Führungsband PTFE guide strap | Turcite | 08-39-162/93 H105069 | | | | | |
| 8 | 1 | Rändelmutter Nut | Hostalen | 65-58-705/93 H79569 | | | | | |
| 9 | 1 | Scheibe Washer | 1.4301 | 67-01-155/ H107969 | | | | | |
| 10 | 1 | Skt. Schraube Hex. Screw | 1.4301 | 65-01-055/13 M6x12 H78750 | | | | | |
| 11 | 1 | Federgehäuse Spring housing | 1.4404 | 16-30-120/47 H105721 | | | | | |
| 12 | 1 | Gehäuse PRD21 Housing PRD21 | 1.4404 | | | | | | |
| | 1 | Gehäuse PRD22 Housing PRD22 | 1.4404 | | | | | | |
| | | Zubehör / accessories | | | | | | | |
| 13 | 1 | Auslaufrohr Drain pipe | 1.4404 | 08-22-710/47 H114384 | | | | | |
| 14 | 1 | Auslaufrohr Drain pipe | 1.4404 | 08-22-712/43 H164349 | | | | | |

Weitergabe sowie Vervielfältigung dieser Unterlage, Verwertung und Mitteilung ihres Inhalts nicht gestattet, soweit nicht schriftlich zugestanden. Verstößt verpflichtend zum Schadensersatz und kann strafrechtliche Folgen haben. (Paragraf 18 UWG, Paragraf 106 UrtG); Eigentum und alle Rechte, auch für Patenterteilung und Gebrauchsmustererteilung, vorbehalten. SPX FLOW, Germany

Ersatzteilliste: spare parts list

Probeentnahmeventil PR2, PRD2 FS-H Sampling valve PR2, PRD2 (steam connection) pneumatic DN25-125 ; 1-4 Zoll / inch

Datum: 21.10.14
Name: Trytko
Geprüft: Trytko

Datum: 29.02.16
Name: Trytko
Geprüft: Trytko

Datum:
Name:
Geprüft:

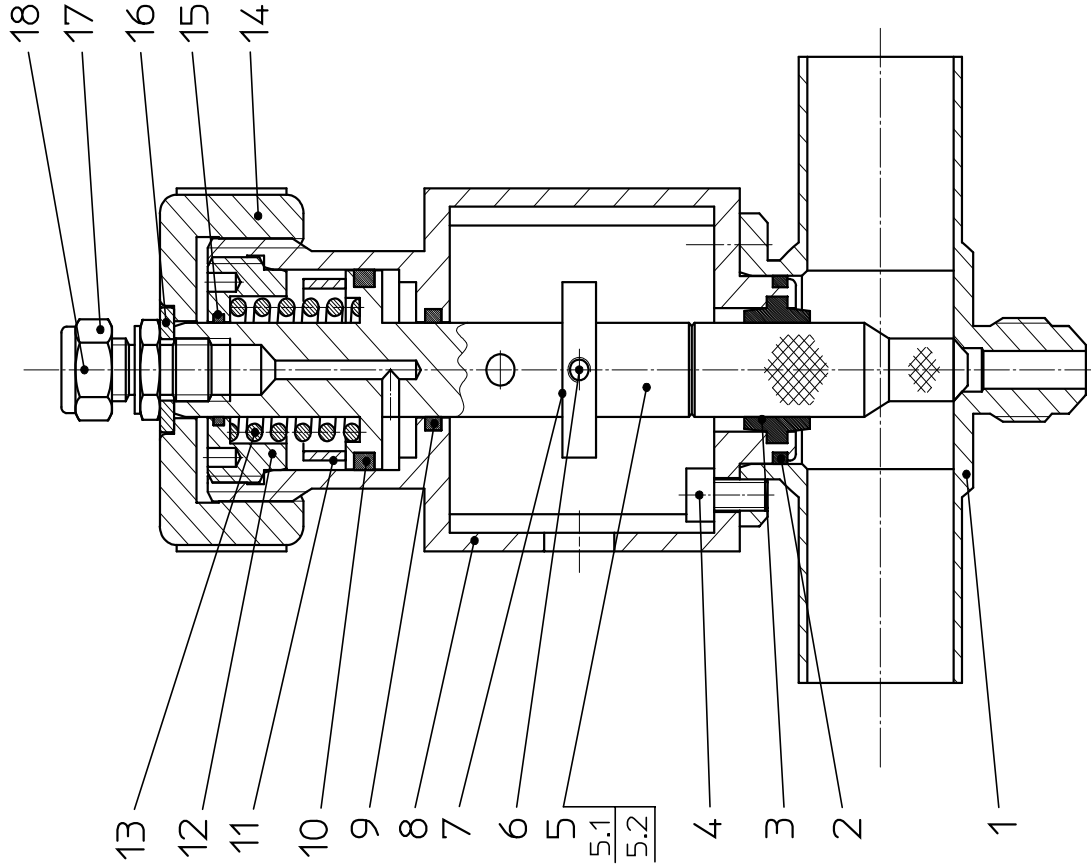
Datum:
Name:
Geprüft:

Blatt 1 von 10

RN 01.146-2



PRD20-FS-H



Steuerzylinder
PR2-FS-H

Weitergabe sowie Vervielfältigung dieser Unterlage, Verwertung und Mitteilung ihres Inhalts nicht gestattet, soweit nicht schriftlich zugestanden. Verstößt verpflichtet zum Schadensersatz und kann strafrechtliche Folgen haben (Paragraf 18 UWG, Paragraph 106 UrhG). Eigentum und alle Rechte, auch für Patenterteilung und Gebrauchsmusterantragung, vorbehalten. SPX FLOW, Germany

Ersatzteilliste: spare parts list

Probeentnahmeventil PR2, PRD2 FS-H
Sampling valve PR2, PRD2 (steam connection) pneumatic
DN25-125 ; 1-4 Zoll / inch

| | | |
|----------|----------|----------|
| Datum: | 21.10.14 | 29.02.16 |
| Name: | Trytko | Trytko |
| Geprüft: | | |
| Datum: | | |
| Name: | | |
| Geprüft: | | |




| | | | |
|--------------------|---|-----|----|
| Blatt | 3 | von | 10 |
| RN 01.146-2 | | | |

| pos. item | Menge quantity | Beschreibung description | Material | DN25 WS-Nr. ref.-no. | 1" WS-Nr. ref.-no. | DN40 WS-Nr. ref.-no. | 1,5" WS-Nr. ref.-no. | DN50 WS-Nr. ref.-no. | 2" WS-Nr. ref.-no. |
|--------------|-------------------|--------------------------------|--------------|----------------------------|--------------------------|----------------------------|-----------------------------|----------------------------|--------------------------|
| 5.1 | 1 | Schaft Shaft | 1.4301 | | | | | | |
| 5.2 | 1 | Schaftspitze Shaft tip | Teflon 25%GF | 15-23-800/93 H31459 | 15-23-809/93 H311692 | 15-23-802/93 H31460 | 15-23-810/93 H204841 | 15-23-803/93 H31461 | |
| 6 | 1 | Gewindestift Threaded pin | 1.4301 | | | | 65-15-031/13 M4x6 H79216 | | |
| 7 | 1 | Schaltring Switching ring | 1.4301 | | | | 08-39-195/12 H132854 | | |
| 8 | 1 | Laterne Yoke | 1.4404 | | | | 15-40-091/47 H33794 | | |
| 9 | 1 | O-Ring O-ring | NBR | | | | 58-06-052/83 H76935 | | |
| 10 | 1 | O-Ring O-ring | NBR | | | | 58-06-106/83 H76957 | | |
| 11 | 1 | Distanzrohr Distance tube | 1.4301 | | | | 09-89-371/12 H20238 | | |
| 12 | 1 | Deckel Cover | 1.4301 | | | | 15-00713/12 H27347 | | |
| 13 | 1 | Druckfeder Pressure spring | 1.4310 | | | | 60-06-176/13 H78466 | | |
| 14 | 1 | Rändelmutter Nut | Hostalen | | | | 65-58-705/93 H79569 | | |
| 15 | 1 | O-Ring O-ring | NBR | | | | 58-06-056/83 H76935 | | |
| 16 | 1 | Scheibe Washer | 1.4404 | | | | 67-01-127/47 H79665 | | |
| 17 | 1 | Verschraubung Union | 1.4301 | | | | 08-63-032/13 H16405 | | |
| 18 | 1 | Stützhülse Support sleeve | 1.4031 | | | | 08-63-033/13 H16406 | | |
| 19 | 1 | Gehäuse PRD21 Housing PRD21 | 1.4404 | 21-08-864/47 H169765 | | | | | |

Ersatzteilliste: spare parts list

Probeentnahmeventil PR2, PRD2 FS-H
Sampling valve PR2, PRD2 (steam connection) pneumatic
DN25-125 ; 1-4 Zoll / inch

| | | |
|--------------------|----------|----------------|
| Datum: | 21.10.14 | 29.02.16 |
| Name: | Trytko | Trytko |
| Geprüft: | | |
| Datum: | | |
| Name: | | |
| Geprüft: | | |
| | | Blatt 5 von 10 |
| RN 01.146-2 | | |

| | | | |
|--|--|---|--|
| | |  | |
|--|--|---|--|

| pos. item | Menge quantity | Beschreibung description | Material | DN65 | 2,5" | 3" | DN80 | DN100 | 4" |
|-----------|----------------|------------------------------------|---------------|-------------------------|------------------------------|-------------------------|-------------------------|-------------------------|-------------------------|
| | | | material | WS-Nr. ref.-no. | WS-Nr. ref.-no. | WS-Nr. ref.-no. | WS-Nr. ref.-no. | WS-Nr. ref.-no. | WS-Nr. ref.-no. |
| 1 | 1 | Gehäuse Housing 1S | 1.4404 | | | | | | |
| | 1 | Gehäuse Housing 1+2S | 1.4404 | 21-08-773/07 H112950 | 21-08-774/47 H112952 | 21-08-775/47 H112954 | 21-08-776/47 H112959 | 21-08-921/47 H311333 | |
| | 1 | Steuerzylinder FS-H komplett | EPDM-1.4404 | 15-31-674/59 H129568 | 15-31-675/59 H315991 | 15-31-676/59 H129569 | 15-31-677/59 H129570 | 15-31-697/59 H311330 | |
| | 1 | Actuator steam connection complete | FPM-1.4404 | 15-31-674/69 H171422 | 15-31-695/69 | 15-31-676/69 | 15-31-677/69 | 15-31-697/69 | |
| | 1 | Steuerzylinder FS-H komplett | HNBR-1.4404 | 15-31-674/29 H320161 | 15-31-695/29 | 15-31-676/29 H332262 | 15-31-677/29 | 15-31-697/29 | |
| | 1 | Actuator steam connection complete | VMQ-1.4404 | 15-31-674/61 | 15-31-695/61 H208492 | 15-31-676/61 H208197 | 15-31-677/61 | 15-31-697/61 | |
| | 1 | O-Ring OR 25,3x2,4 | EPDM | | 58-06-102/63 H76954 | | | | |
| | 1 | O-Ring OR 25,3x2,4 | FPM | | 58-06-102/73 H76952 | | | | |
| 2 | 1 | O-Ring OR 25,3x2,4 | HNBR | | 58-06-102/33 H207019 | | | | |
| | 1 | O-Ring OR 25,3x2,4 | VMQ | | 58-06-102/53 H76953 | | | | |
| | 1 | Schafdichtung Shaft seal | EPDM | | 58-33-014/93 H77374 | | | | |
| | 1 | Schafdichtung Shaft seal | FDA-konform | | 58-33-014/73 H77373 | | | | |
| 3 | 1 | Schafdichtung Shaft seal | HNBR | | 58-33-014/33 H172192 | | | | |
| | 1 | Schafdichtung Shaft seal | FDA-konform | | 58-33-014/13 H77372 | | | | |
| 4 | 3 | Zyl. Schraube Cyl. Screw | 1.43001 | | 65-06-050/13 M5x10 H79027 | | | | |
| 5 | 1 | Schaft komplett Shaft complete | Teflon 1.4301 | 15-22-894/12 H30972 | 15-22-333/12 H314083 | 15-22-895/12 H30974 | 15-22-896/12 H30976 | 15-22-897/12 H30978 | 15-22-334/12 H314084 |

Weitergabe sowie Vervielfältigung dieser Unterlage, Verwertung und Mitteilung ihres Inhalts nicht gestattet, soweit nicht schriftlich zugestanden. Verstöß verpflichtet zum Schadensersatz und kann strafrechtliche Folgen haben (Paragraf 18 UWG, Paragraf 106 UrhG). Eigentum und alle Rechte, auch für Patenterteilung und Gebrauchsmustereintragung, vorbehalten. SPX FLOW, Germany

Ersatzteilliste: spare parts list

Probeentnahmeventil PR2, PRD2 FS-H
Sampling valve PR2, PRD2 (steam connection) pneumatic
DN25-125 ; 1-4 Zoll / inch

| pos. item | Menge quantity | Beschreibung description | Material | DN65 | 2,5" | 3" | DN80 | DN100 | 4" | 21.10.14 | | 29.02.16 | |
|--------------|-------------------|--------------------------------|--------------|------------------------|-------------------------|------------------------|------------------------|------------------------|-------------------------|-----------------------------|--|-------------|--|
| | | | | | | | | | | Datum: Name: Geprüft: | | Trytko | |
| | | | | | | | | | | Blatt 6 von 10 | | RN 01.146-2 | |
| 5.1 | 1 | Schaft Shaft | 1.4301 | | | | | | | | | | |
| 5.2 | 1 | Schaftspitze Shaft tip | Teflon 25%GF | 15-23-804/93 H31462 | 15-23-812/93 H208497 | 15-22-933/12 H31070 | 15-23-806/93 H31464 | 15-23-807/93 H31465 | 15-23-814/93 H311336 | | | | |
| 6 | 1 | Gewindestift Threaded pin | 1.4301 | | | | | | | | | | |
| 7 | 1 | Schaltring Switching ring | 1.4301 | | | | | | | | | | |
| 8 | 1 | Laterne Yoke | 1.4404 | | | | | | | | | | |
| 9 | 1 | O-Ring O-ring | NBR | | | | | | | | | | |
| 10 | 1 | O-Ring O-ring | NBR | | | | | | | | | | |
| 11 | 1 | Distanzrohr Distance tube | 1.4301 | | | | | | | | | | |
| 12 | 1 | Deckel Cover | 1.4301 | | | | | | | | | | |
| 13 | 1 | Druckfeder Pressure spring | 1.4310 | | | | | | | | | | |
| 14 | 1 | Rändelmutter Nut | Hostalen | | | | | | | | | | |
| 15 | 1 | O-Ring O-ring | NBR | | | | | | | | | | |
| 16 | 1 | Scheibe Washer | 1.4404 | | | | | | | | | | |
| 17 | 1 | Verschraubung Union | 1.4301 | | | | | | | | | | |
| 18 | 1 | Stützhülse Support sleeve | 1.4031 | | | | | | | | | | |
| 19 | 1 | Gehäuse PRD21 Housing PRD21 | 1.4404 | | | | | | | | | | |



Weitergabe sowie Vervielfältigung dieser Unterlage, Verwertung und Mitteilung ihres Inhalts nicht gestattet, soweit nicht schriftlich zugestanden. Verstöß verpflichtet zum Schadensersatz und kann strafrechtliche Folgen haben (Paragraf 18 UWG, Paragraf 106 UrhG). Eigentum und alle Rechte, auch für Patenterteilung und Gebrauchsmusterteilung, vorbehalten. SPX FLOW, Germany

Ersatzteilliste: spare parts list

Probeentnahmeventil PR2, PRD2 FS-H
Sampling valve PR2, PRD2 (steam connection) pneumatic
DN25-125 ; 1-4 Zoll / inch

| pos. item | Menge quantity | Beschreibung description | Material | DN65 | 2,5" | 3" | DN80 | DN100 | 4" |
|--|----------------|---|----------|-----------------|-------------------------|-----------------|-----------------|-----------------|-----------------|
| | | | material | WS-Nr. ref.-no. | WS-Nr. ref.-no. | WS-Nr. ref.-no. | WS-Nr. ref.-no. | WS-Nr. ref.-no. | WS-Nr. ref.-no. |
| 19 | 1 | Gehäuse PRD22 Housing PRD22 2 Ablaufröhre 2 drain pipes | 1.4404 | | | | | | |
| | | Zubehör / accessories | | | | | | | |
| 20 | 1 | Auslaufrohr Drain pipe Leitungsdruck >5 bar Line pressure >5 bar | 1.4404 | | 08-22-710/47 H114384 | | | | |
| 21 | 1 | Auslaufrohr Drain pipe Leitungsdruck >5 bar Line pressure >5 bar | 1.4404 | | 08-22-712/43 H164349 | | | | |
| | | | | | | | | | |
| | | | | | | | | | |
| | | | | | | | | | |
| | | | | | | | | | |
| | | | | | | | | | |
| | | | | | | | | | |
| Pos. 2, 3, 9, 10, 15 nur im kompletten Dichtungssatz erhältlich Item 2, 3, 9, 10, 15 available as complete seal kits only | | | | | | | | | |
| | | Dichtungssatz Seal kit | FPM | | 58-34-110/00 H78027 | | | | |
| | | Dichtungssatz Seal kit | EPDM | | 58-34-110/01 H78028 | | | | |
| | | Dichtungssatz Seal kit | VMQ | | 58-34-110/02 H123613 | | | | |
| | | Dichtungssatz Seal kit | HNBR | | 58-34-110/06 H207601 | | | | |
| | | | | | | | | | |
| | | | | | | | | | |
| | | | | | | | | | |



Blatt 7 von 10
RN 01.146-2

Datum: 21.10.14
Name: Trytko
Geprüft: Trytko


Datum:
Name:
Geprüft:

Weitergabe sowie Vervielfältigung dieser Unterlage, Verwertung und Mitteilung ihres Inhalts nicht gestattet, soweit nicht schriftlich zugestanden. Verstößt verpflichtet zum Schadensersatz und kann strafrechtliche Folgen haben (Paragraf 18 UWG, Paragraph 106 UrhG). Eigentum und alle Rechte, auch für Patenterteilung und Gebrauchsmustereintragung, vorbehalten. SPX FLOW, Germany

Ersatzteilliste: spare parts list

**Probeentnahmeventil PR2, PRD2 FS-H
Sampling valve PR2, PRD2 (steam connection) pneumatic
DN25-125 ; 1-4 Zoll / inch**

| | | |
|----------|----------|----------|
| Datum: | 21.10.14 | 29.02.16 |
| Name: | Trytko | Trytko |
| Geprüft: | | |
| Datum: | | |
| Name: | | |
| Geprüft: | | |

| | | |
|---|--|--------------------|
|  | | Blatt 8 von 10 |
| | | RN 01.146-2 |


| pos. item | Menge quantity | Beschreibung description | Material | DN125 | 5" | DN150 | 6" | WS-Nr. ref.-no. | WS-Nr. ref.-no. | WS-Nr. ref.-no. |
|--------------|-------------------|------------------------------------|---------------------|------------------------------|--------------------|--------------------|--------------------|--------------------|--------------------|--------------------|
| | | | | WS-Nr. ref.-no. | WS-Nr. ref.-no. | WS-Nr. ref.-no. | WS-Nr. ref.-no. | | | |
| 1 | 1 | Gehäuse Housing | 1.4404 | | | | | | | |
| | 1 | Gehäuse Housing | 1.4404 | 21-08-778/47 H311281 | | | | | | |
| 2 | 1 | Steuerzylinder FS-H komplett | EPDM-1.4404 | 15-31-678/59 H207193 | | | | | | |
| | 1 | Actuator steam connection complete | FPM-1.4404 | 15-31-678/69 | | | | | | |
| | 1 | Steuerzylinder FS-H komplett | HNBR-1.4404 | 15-31-678/29 | | | | | | |
| | 1 | Actuator steam connection complete | VMQ-1.4404 | 15-31-678/61 | | | | | | |
| | 1 | Steuerzylinder FS-H komplett | EPDM | 58-06-102/63 H76954 | | | | | | |
| | 1 | Actuator steam connection complete | FPM | 58-06-102/73 H76952 | | | | | | |
| 3 | 1 | O-Ring O-ring | HNBR | 58-06-102/33 H207019 | | | | | | |
| | 1 | O-Ring O-ring | VMQ | 58-06-102/53 H76953 | | | | | | |
| | 1 | Schaftdichtung Shaft seal | EPDM FDA-konform | 58-33-014/93 H77374 | | | | | | |
| | 1 | Schaftdichtung Shaft seal | FPM FDA-konform | 58-33-014/73 H77373 | | | | | | |
| 4 | 1 | Schaftdichtung Shaft seal | HNBR FDA-konform | 58-33-014/33 H172192 | | | | | | |
| | 1 | Schaftdichtung Shaft seal | VMQ FDA-konform | 58-33-014/13 H77372 | | | | | | |
| 5 | 3 | Zyl. Schraube Cyl. Screw | 1.43001 | 65-06-050/13 M5x10 H79027 | | | | | | |
| | 1 | Schaft komplett Shaft complete | Teflon 1.4301 | 15-22-898/12 H30980 | | | | | | |

Weitergabe sowie Vervielfältigung dieser Unterlage, Verwertung und Mitteilung ihres Inhalts nicht gestattet, soweit nicht schriftlich zugestanden. Verstößt verpflichtet zum Schadensersatz und kann strafrechtliche Folgen haben (Paragraf 18 UWG, Paragraf 106 UrhG). Eigentum und alle Rechte, auch für Patenterteilung und Gebrauchsmustererteilung, vorbehalten. SPX Flow Technology Rosista GmbH.

Ersatzteilliste: spare parts list

Probeentnahmeventil PR2, PRD2 FS-H
Sampling valve PR2, PRD2 (steam connection) pneumatic
DN25-125 ; 1-4 Zoll / inch

| | | |
|----------|----------|----------|
| Datum: | 21.10.14 | 29.02.16 |
| Name: | Trytko | Trytko |
| Geprüft: | | |
| Datum: | | |
| Name: | | |
| Geprüft: | | |

| | |
|---|----------|
|  | |
| SPX Flow Technology Rosista GmbH D-59425, Umma Germany | |
| Blatt | 9 von 10 |
| RN 01.146-2 | |

| pos. item | Menge quantity | Beschreibung description | Material | DN125 | | 5" | | 6" | |
|--------------|-------------------|--------------------------------|--------------|-------------------------|--------------------|--------------------|--------------------|--------------------|--------------------|
| | | | | WS-Nr. ref.-no. | WS-Nr. ref.-no. | WS-Nr. ref.-no. | WS-Nr. ref.-no. | WS-Nr. ref.-no. | WS-Nr. ref.-no. |
| 5.1 | 1 | Schaft Shaft | 1.4301 | 15-22-934/12 H31072 | | | | | |
| 5.2 | 1 | Schaftspitze Shaft tip | Teflon 25%GF | 15-23-808/93 H31466 | | | | | |
| 6 | 1 | Gewindestift Threaded pin | 1.4301 | 65-15-031/13 H79213 | | | | | |
| 7 | 1 | Schaltring Switching ring | 1.4301 | 08-39-195/12 H132854 | | | | | |
| 8 | 1 | Laterne Yoke | 1.4404 | 15-40-091/47 H33794 | | | | | |
| 9 | 1 | O-Ring O-ring | NBR | 58-06-052/83 H107914 | | | | | |
| 10 | 1 | O-Ring O-ring | NBR | 58-06-106/83 H76957 | | | | | |
| 11 | 1 | Distanzrohr Distance tube | 1.4301 | 09-89-371/12 H20238 | | | | | |
| 12 | 1 | Deckel Cover | 1.4301 | 15-00-713/12 H27347 | | | | | |
| 13 | 1 | Druckfeder Pressure spring | 1.4310 | 60-06-176/13 H78466 | | | | | |
| 14 | 1 | Rändelmutter Nut | Hostalen | 65-58-705/93 H79569 | | | | | |
| 15 | 1 | O-Ring O-ring | NBR | 58-06-056/83 H76935 | | | | | |
| 16 | 1 | Scheibe Washer | 1.4404 | 67-01-127/47 H79665 | | | | | |
| 17 | 1 | Verschraubung Union | 1.4301 | 08-63-032/13 H16405 | | | | | |
| 18 | 1 | Stützhülse Support sleeve | 1.4031 | 08-63-033/13 H16406 | | | | | |
| 19 | 1 | Gehäuse PRD21 Housing PRD21 | 1.4404 | | | | | | |

Weitergabe sowie Vervielfältigung dieser Unterlage, Verwertung und Mitteilung ihres Inhalts nicht gestattet, soweit nicht schriftlich zugestanden. Verstöß verpflichtet zum Schadensersatz und kann strafrechtliche Folgen haben (Paragraf 18 UWG, Paragraf 106 UrhG). Eigentum und alle Rechte, auch für Patenterteilung und Gebrauchsmustererteilung, vorbehalten. SPX Flow Technology Rosista GmbH.

Ersatzteilliste: spare parts list

Probeentnahmeventil PR2, PRD2 FS-H Sampling valve PR2, PRD2 (steam connection) pneumatic DN25-125 ; 1-4 Zoll / inch

| pos. item | Menge quantity | Beschreibung description | Material | DN125 WS-Nr. ref.-no. | 5" WS-Nr. ref.-no. | DN150 WS-Nr. ref.-no. | 6" | | WS-Nr. ref.-no. | WS-Nr. ref.-no. |
|--|-------------------|---|----------|-----------------------------|--------------------------|-----------------------------|--------------------|--------|--------------------|--------------------|
| | | | | | | | WS-Nr. ref.-no. | Trytko | | |
| 19 | 1 | Gehäuse PRD22 Housing PRD22 2 Ablaufröhre 2 drain pipes | 1.4404 | | | | | | | |
| | | Zubehör / accessories | | | | | | | | |
| 20 | 1 | Auslaufrohr Drain pipe Leitungsdruck >5 bar Line pressure >5 bar | 1.4404 | 08-22-710/47 H114384 | | | | | | |
| 21 | 1 | Auslaufrohr Drain pipe Leitungsdruck >5 bar Line pressure >5 bar | 1.4404 | 08-22-712/43 H164349 | | | | | | |
| | | | | | | | | | | |
| | | | | | | | | | | |
| | | | | | | | | | | |
| | | | | | | | | | | |
| Pos. 2, 3, 9, 10, 15 nur im kompletten Dichtungssatz erhältlich Item 2, 3, 9, 10, 15 available as complete seal kits only | | | | | | | | | | |
| | | Dichtungssatz Seal kit | FPM | 58-34-110/00 H78027 | | | | | | |
| | | Dichtungssatz Seal kit | EPDM | 58-34-110/01 H78028 | | | | | | |
| | | Dichtungssatz Seal kit | VMQ | 58-34-110/02 H123613 | | | | | | |
| | | Dichtungssatz Seal kit | HNBR | 58-34-110/06 H207601 | | | | | | |
| | | | | | | | | | | |
| | | | | | | | | | | |
| | | | | | | | | | | |
| | | | | | | | | | | |



SPX Flow Technology Rosista GmbH
D-59425 Umma Germany

Blatt 10 von 10
RN 01.146-2

| | | |
|----------|----------|----------|
| Datum: | 21.10.14 | 29.02.16 |
| Name: | Trytko | Trytko |
| Geprüft: | | |
| Datum: | | |
| Name: | | |
| Geprüft: | | |

APV DELTA PR2

SAMPLING VALVE

SPXFLOW

SPX FLOW

Design Center

Gottlieb-Daimler-Straße 13
D-59439 Holzwickede, Germany
P: (+49) (0) 2301-9186-0
F: (+49) (0) 2301-9186-300

SPX FLOW

Production

Stanisława Jana Rolbieskiego 2
PL - 85-862 Bydgoszcz, Poland
P: (+48) 52 566 76 00
F: (+48) 52 525 99 09

SPX FLOW reserves the right to incorporate the latest design and material changes without notice or obligation.

Design features, materials of construction and dimensional data, as described in this manual, are provided for your information only and should not be relied upon unless confirmed in writing. Please contact your local sales representative for product availability in your region.

For more information visit www.spxflow.com.

ISSUED 04/2019 - Translation of Original Manual

COPYRIGHT ©2019 SPX FLOW, Inc.