



KIESELMANN

FLUID PROCESS GROUP

Translation of the original

Operating instruction

Aseptic - sampling valve

Type 6125

pneumatical

manual



KIESELMANN GmbH

Paul-Kieselmann-Str. 4-10
D - 75438 Knittlingen

 +49(0) 7043 371-0 •  +49(0) 7043 371-125
www.kieselmann.de • info@kieselmann.de

Copyright: © KIESELMANN FLUID PROCESS GROUP

Table of contents

1	General informations	4
1.1	Informations for your safety	4
1.2	Marking of security instructions	4
1.3	General designated use	4
1.4	Personnel	4
1.5	Modifications, spare parts, accessories	5
1.6	General instructions	5
2	Safety instructions	6
2.1	Intended use	6
2.2	General notes	6
2.3	General safety instructions	6
3	Delivery, transport and storage	7
3.1	Delivery	7
3.2	Transport	7
3.3	Storage	7
4	Specification	8
4.1	Modular system	8
5	Function and operation	9
5.1	Description of function	9
5.2	Control system and position indicator	9
6	Commissioning, service and maintenance	10
6.1	Commissioning	10
6.1.1	Installation instructions	10
6.1.2	General welding guidelines	10
6.1.3	ATEX - Guidelines	10
6.2	Service	11
6.3	Cleaning	11
6.4	Sterilization	11
7	Technical data	13
8	Disassembly and assembly	14
8.1	Disassembly - sampling valve	14
8.2	Assemble - sampling valve	18
8.3	Dismantle - steam valve DV	19
8.4	Assemble - steam valve	20
9	Drawings and dimensions	21
9.1	Drawings	21
9.2	Dimensions	26
10	Wearing parts	27
10.1	Wear parts kit	27
10.2	Spare parts list	27
11	Classification	29
11.1	Structure of Order Number	29
12	Appendix	32
12.1	Declaration of incorporation	32

1 General informations

1.1 Informations for your safety

We are pleased that you have decided for a high-class KIESELMANN product. With correct application and adequate maintenance, our products provide long time and reliable operation.






Before installation and initiation, please carefully read this instruction manual and the security advices contained in it. This guarantees reliable and safe operation of this product and your plant respectively. Please note that an incorrect application of the process components may lead to great material damages and personal injury.

In case of damages caused by non observance of this instruction manual, incorrect initiation, handling or external interference, guarantee and warranty will lapse!

Our products are produced, mounted and tested with high diligence. However, if there is still a reason for complaint, we will naturally try to give you entire satisfaction within the scope of our warranty. We will be at your disposal also after expiration of the warranty. In addition, you will also find all necessary instructions and spare part data for maintenance in this instruction manual. If you don't want to carry out the maintenance by yourself, our KIESELMANN - service team will naturally be at your disposal.

1.2 Marking of security instructions

Hints are available in the chapter "safety instructions" or directly before the respective operation instruction. The hints are highlighted with a danger symbol and a signal word. Texts beside these symbols have to be read and adhered to by all means. Please continue with the text and with the handling at the valve only afterwards.

Symbol	Signal word	Meaning
	DANGER	Imminent danger which will result severe personal injury or death.
	WARNING	Imminent danger which may result severe personal injury or death.
	CAUTION	Dangerous situation which may cause slight personal injury or material damages.
	NOTICE	An harmful situation which may result in damages of the product itself or of adjacent vicinity.
	INFORMATION	Marks application hints and other information which is particularly useful.

1.3 General designated use

The fitting is designed exclusively for the purposes described below. Using the fitting for purposes other than those mentioned is considered contrary to its designated use. KIESELMANN cannot be held liable for any damage resulting from such use. The risk of such misuse lies entirely with the user. The prerequisite for the reliable and safe operation of the fitting is proper transportation and storage as well as competent installation and assembly. Operating the fitting within the limits of its designated use also involves observing the operating, inspection and maintenance instructions.

1.4 Personnel

Personnel entrusted with the operation and maintenance of the tank safety system must have the suitable qualification to carry out their tasks. They must be informed about possible dangers and must understand and observe the safety instructions given in the relevant manual. Only allow qualified personnel to make electrical connections.

1.5 Modifications, spare parts, accessories

Unauthorized modifications, additions or conversions which affect the safety of the fitting are not permitted. Safety devices must not be bypassed, removed or made inactive. Only use original spare parts and accessories recommended by the manufacturer.

1.6 General instructions

The user is obliged to operate the fitting only when it is in good working order. In addition to the instructions given in the operating manual, please observe the relevant accident prevention regulations, generally accepted safety regulations, regulations effective in the country of installation, working and safety instructions effective in the user's plant.

2 Safety instructions

2.1 Intended use

The sampling valve is used to remove or vent liquid or gaseous media from tanks or pipe system in plants of the food and drink industry, pharmaceutical and chemical industries as well as in biotechnology.

2.2 General notes



NOTICE - observe the operating instructions

To avoid danger and damage, the fitting must be used in accordance with the safety instructions and technical data contained in the operating instructions.



NOTICE

All data are in line with the current state of development. Subject to change as a result of technical progress.

2.3 General safety instructions



⚠ WARNING

Risk of injury by outflowing medium

Dismantling the valve or valve assemblies from the plant can cause injuries.

- Medias flowing through the leakage drain outlet are to be drained off without splashing into a discharge arrangement.
- Carry the disassembling only if when the plant has been rendered pressure-less and free of liquid and gas.



⚠ CAUTION

Risk of burning whilst flaming the valve!

There is a risk from burns of parts of the body.

- The valve gets very hot under flaming. When flaming the valve,
 - wear suitable protective gloves and protective clothing
 - local fire safety regulations must be followed.



⚠ CAUTION

Destroy of the valve seal when flaming the valve!

The valve seal can be destroyed by excessive heat supply.

- The valve must be flamed generally by trained personnel.
 - The instructions in the chapter "Sterilization" must be observed.

3 Delivery, transport and storage

3.1 Delivery

- Immediately after receipt check the delivery for completeness and transport damages.
- Remove the packaging from the product.
- Retain packaging material, or expose of according to local regulations.

3.2 Transport



CAUTION

Risk of injury and damage to the product

During the transport the generally acknowledged rules of technology, the national accident prevention regulations and company internal work and safety regulations must be observed.

3.3 Storage



NOTICE

Damage to the product due to improper storage!

Observe storage instructions
avoid a prolonged storage



INFORMATION














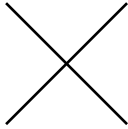







Recommendation for longer storage

We recommend regularly checking the product and the prevailing storage conditions during long storage times.

- To avoid damage to seals and bearings,
 - products up to DN 125 / OD 5 inch should be stored horizontally for maximum 6 months.
 - products larger than DN 125 / 5 inch, should be stored in the upright position with the actuator on top.
- Don't store any objects on the products.
- Protect the products for wetness, dust and dirt.
- The product should be stored in a dry and well ventilated room at a constant temperature (optimal indoor temperature: 25 C ±5; indoor humidity data 70% ±5%).
- Protect seals, bearings and plastic parts for UV light and ozone.

4 Specification

4.1 Modular system

Mounted on top / Automation	 Cover ring	 Sensor assembly* (Sensor with thread M12)	 Control head assembly*		
Actuator	 Type 6125 xxx00x-xxx manual (spring closing)	 Type 6125 xxx01x-xxx manual (self-locking) **	 Type 6125 xxx03x-xxx pneumatical & manual (spring closing)	 Type 6125 xxx02x-xxx pneumatical	
Housing connections	 INLINE Module	 t-piece (DN 25-150 / OD 1½-4)	 Tank welding socket	 Welding neck (DN 25)	
Outlet	 Screw socket (G 3/8)	 Tube end (DN 10)	 Screw socket with blind nut (G 3/8)	 Clip-on	
Rinsing connection	 without connecting piece	 Screw socket (G 3/8)	 Tube end (DN 10)	 Screw socket with blind nut (G 3/8)	 Clip-on
	 Steam valve Manual	 Steam valve Pneumatic	 Steam valve Pneumatic with sensor assembly	 Steam valve Pneumatic with control head	

* can be adapted only with pneumatic actuator

** may not be combined with pneumatic actuator

5 Function and operation

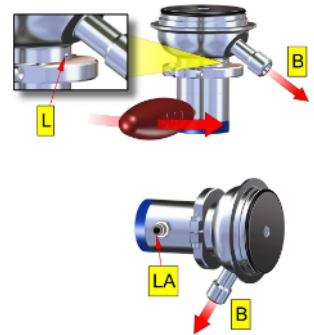
5.1 Description of function

Description of function

The function of the aseptic sampling valve is to remove sampling from the systems and pipes under hygienic conditions. The valve is opened pneumatically over the air connections (LA) or manually operated over the lever clockwise opened and closed with spring tension. Valves with a self-locking spindle are opened with a lever clockwise and closed anti-clockwise.

At open valve, the product flows out through the outlet pipe (B).

Leaks will be discharged through the leakage hole (L).



5.2 Control system and position indicator



Feedback unit -optional-

Optionally, modular valve control head systems can be installed to the actuator for reading and actuating valve positions. The standard version is a closed system with SPS or ASI-bus switch-on electronics, and integrated 3/2-way solenoid valves. For tough operating conditions we recommend employing a high-grade steel cover.



Feedback unit with finger guard -optional-

For the acquisition of the valve positions over inductive initiators (Sensors), a feedback unit is mounted on the actuation. The enquiry takes place over the position of the piston rod.

6 Commissioning, service and maintenance

6.1 Commissioning

6.1.1 Installation instructions

Installation Position

The valve must be installed so that the product can run out of the outlet spigot leaving no residue.

6.1.2 General welding guidelines

Sealing elements integrated in weld components must generally be removed prior to welding. To prevent damage, welding should be undertaken by certified personnel (EN ISO 9606-1). Use the TIG (Tungsten Inert Gas) welding process.



CAUTION

Damage and injuries due to high temperature supply

To avoid a distortion of the components, all welding parts must be welded to stress-relieved. Allow all components to cool before assembling.



NOTICE

Damage due to impurities

Impurities can cause damage to the seals and seals area. Clean inside areas prior to assembly.

6.1.3 ATEX - Guidelines

For valves or plants/installations that are operated in the ATEX area, sufficient bonding (grounding) must be ensured (see valid ATEX Guidelines EG).

6.2 Service



RECOMMENDATION

Replacement of seals

To achieve optimal maintenance cycles, the following points must be observed!

- When replacement of seals, all product-contacting seals should be replaced.
- Only original spare parts may be installed.

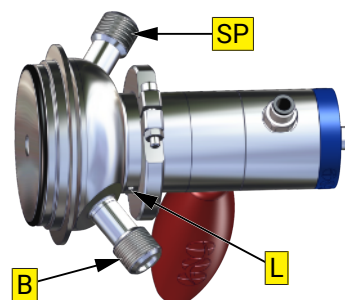
Maintenance interval

The maintenance intervals depend on the operating conditions "temperature, temperature-intervals, medium, cleaning medium, pressure and opening frequency". We recommend replacing the seals 3-year cycle. The user, however should establish appropriate maintenance intervals according to the condition of the seals.

Lubricant recommendation

	EPDM; HNBR; NBR; FKM; k-flex	- Klüber Paraliq GTE703*
	Silicone	- Klüber Sintheso pro AA2*
	Thread	- Interflon Food*
*) It is only permitted to use approved lubricants, if the respective fitting is used for the production of food or drink. Please observe the relevant safety data sheets of the manufacturers of lubricants.		

6.3 Cleaning

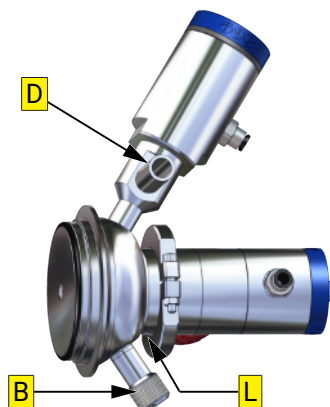


The cleaning of the valve occurs in the closed state over connection (B), whereat with concurrent cleaning of the tank or pipe system the valve can be opened. For valves with rinsing connection the cleaning occurred via connection (SP).

6.4 Sterilization

The valve can be sterilized with flame, steam or liquid.

Steam - and liquid sterilization

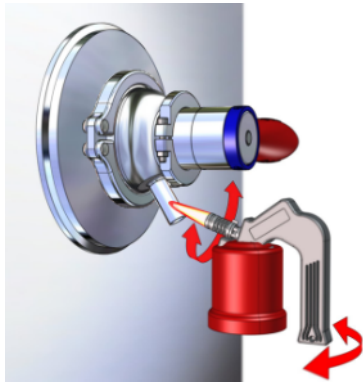


The steam or liquid sterilization proceeds through the outlet pipe (B) or during tank or pipe cleaning.

For valves with rinsing connection the sterilization occurred via connection (SP).

Optional the valve can be equipped with a steam valve (DV). The steam or liquid sterilization occurred via the connection (D).

Air sterilization by flaming



The valve can be sterilized by flaming. This process may take up to 15 seconds for the entire valve. To avoid high temperatures at certain points the flame has to be moved constantly.



⚠ CAUTION

Risk of burning whilst flaming the valve!

There is a risk from burns of parts of the body.

- The valve gets very hot under flaming. When flaming the valve,
 - wear suitable protective gloves and protective clothing
 - local fire safety regulations must be followed.



⚠ CAUTION

Destroy of sealing materials due to high heat supply!

When flaming attention must be paid so that the valve is not exposed to short-time temperature exceeding 130°C, otherwise the sealing material will be destroyed.

- The valve must be flamed generally by trained personnel.

7 Technical data

Model	Aseptic - sampling valve	
Valve size	- Product line: DN 25 - DN 150 DN 1½" - DN 4" - Tank fitting	
Variations of actuation	<ul style="list-style-type: none"> • manual (spring close) • manual (self locking) • pneumatical • pneumatically & manual 	
Housing variants	<ul style="list-style-type: none"> • Inline - housing • Housing with welding connection DN 25 • Housing with T-pipe piece DN 25 - DN 150, DN 1½" - DN 4" • Housing with tank welding connection 	
Outlet connections	<ul style="list-style-type: none"> • G3/8 • G3/8 with blind nut • DN10 • Clip-on 	
Rinsing - and steam connections	<ul style="list-style-type: none"> • G3/8 • G3/8 with blind nut • DN10 • Clip-on • Connection for manual or pneumatically steam valve 	
Temperature range	Ambient (air):	+4° to +45°C
	Operating (medium dependent):	+0° to +95°C
	Sterilization (SIP 30 min):	EPDM +140°C PTFE +130°C NBR +100°C
Operating pressure	max. 10 bar for liquids	
Leak rate	A (DIN EN 12266-1)	
Control air	Control air pressure:	Quality of control air:: ISO 8573-1 : 2001 quality class 3
	4,0 - 8,0 bar	
Material: (in product contact)	Material:	stainless steel: AISI 316L
	Surface:	Ra ≤ 0,8µm metallic bright; e-polished
	Sealing material:	PTFE-FTM

8 Disassembly and assembly

8.1 Disassembly - sampling valve

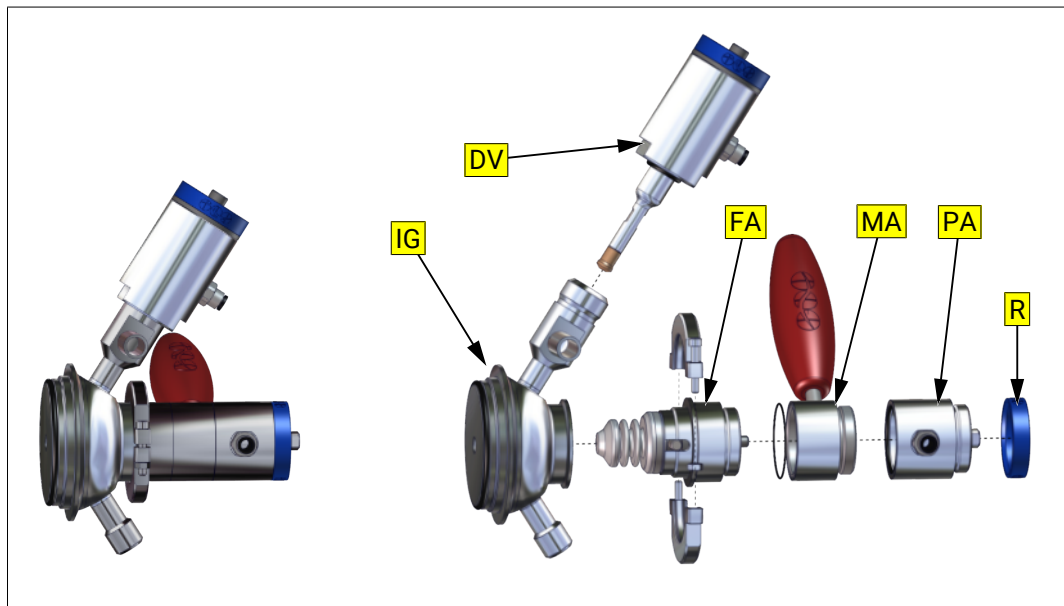


NOTICE

All threaded joint have right-hand thread.

Unscrew and remove control air, steam resp. cleaning lines and electrical lines, complete feedback unit or control head.

aseptic sampling valve - modules



IG Inline-housing

FA Spring module

R End ring

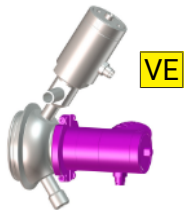
DV Steam valve

MA Manual actuator

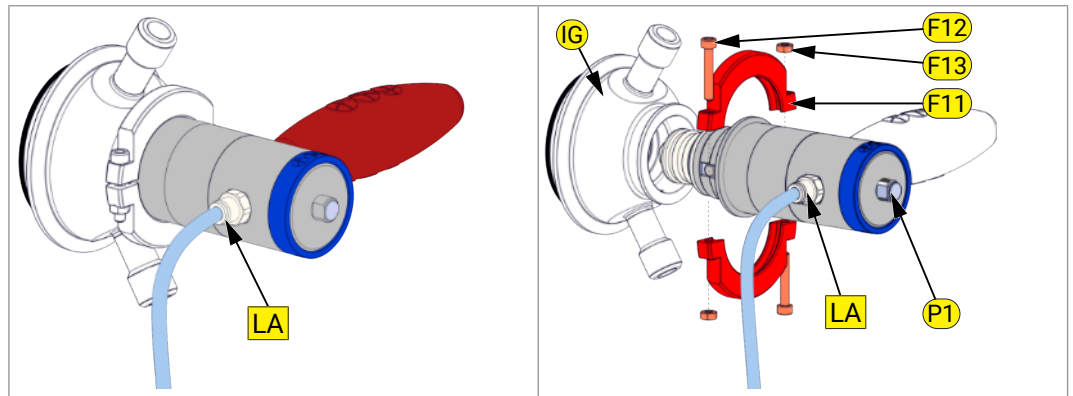
PA Pneumatic actuator

Assembly - valve insert (VE)**NOTICE****Spring-loaded valve insert**

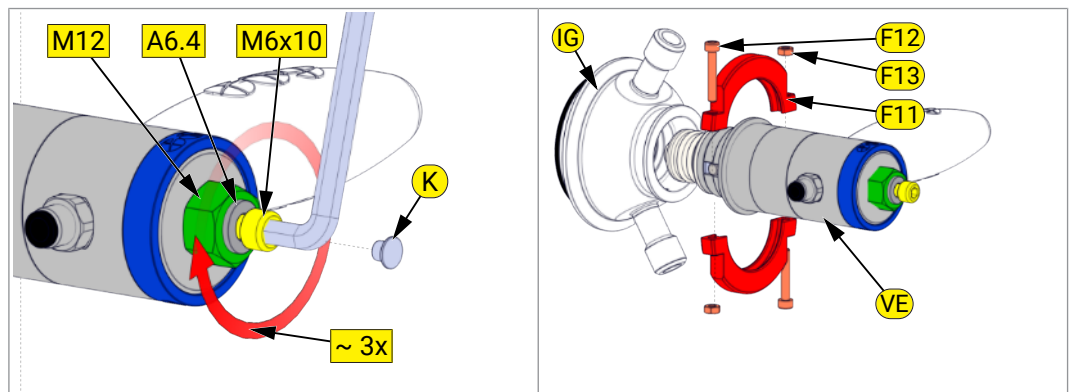
For valves with spring-loaded valve insert, before unscrewing the clamp coupling the valve must be actuated pneumatically or manually.

**pneumatically - charge the actuator with compressed air at connection LA.**

- The piston retracts and the bellow lift up from valve seat.
- Unscrew the screw connection (F12) / (F13). Remove the clamp coupling (F11) and dismount the valve insert from the housing (IG).
- Disconnect the compressed air at connection (LA).

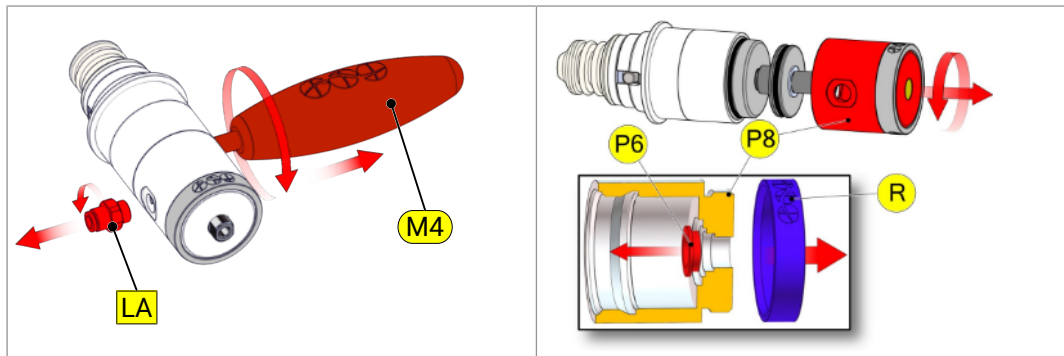
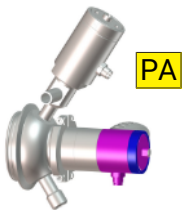
**manually - open the actuator via Allen key**

- Remove cap (K).
- Place a nut (M12) and a washer (A6.4) on the shaft (P1) and screw in a Allen screw (M6x10) in the shaft till metallic stop by hand.
- Then turn further with al Allen key to the limit stop (approx. 3 turns).
- The piston retracts and the bellow lift up from valve seat.
- Unscrew the screw connection (F12) / (F13).
- Remove the clamp coupling (F11) and dismount the valve insert from the housing (IG). Unscrew the screw (M6x10) from shaft (P1).

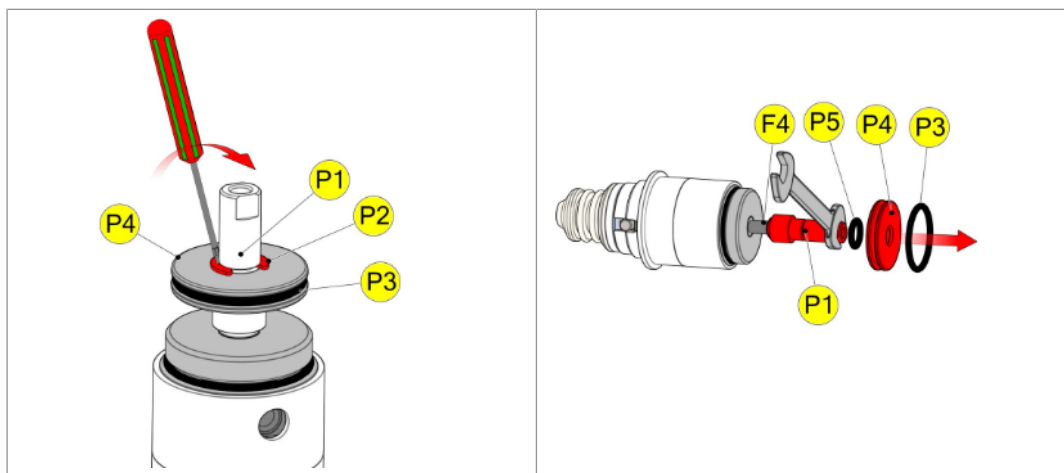


Dismantle - pneumatic actuator PA

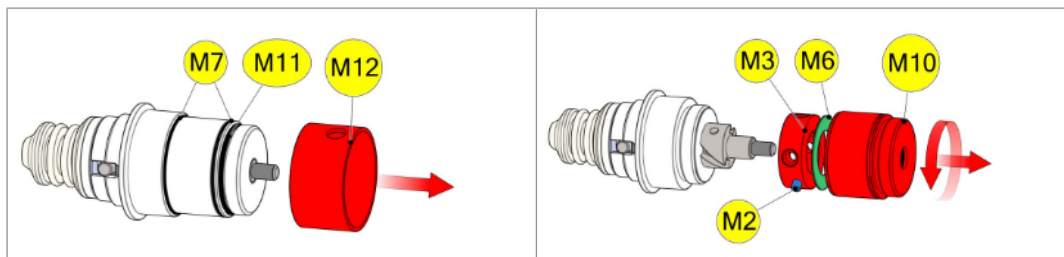
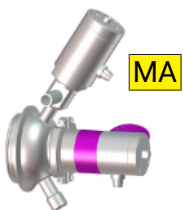
- Unscrew air connection (LA) and hand lever (M4). Unscrew ring (R) and housing (P8). Remove plain bearing (P6).



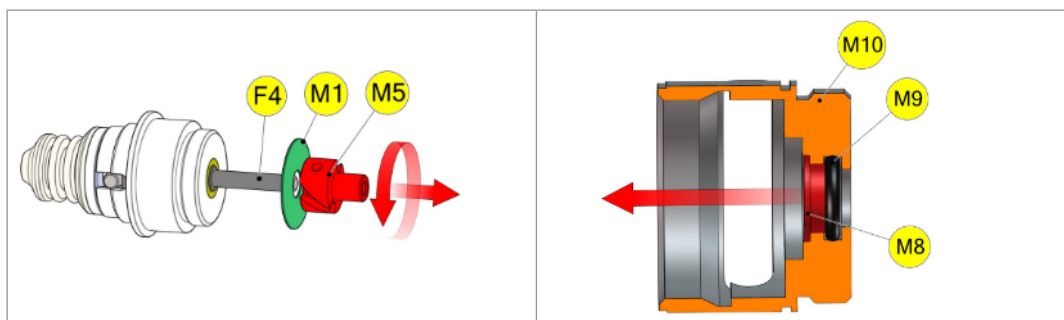
- Dismantle circlip ring (P2) and pull off piston (P4). Dismount O-rings (P3) and (P5). Unscrew shaft (P1) from shaft (F4).

**Dismantle - manual actuator MA**

- Pull off cover (M12). Remove O-rings (M7) and (M11). Unscrew housing (M10). Remove disc (M6), dog (M3) with pins (M2).

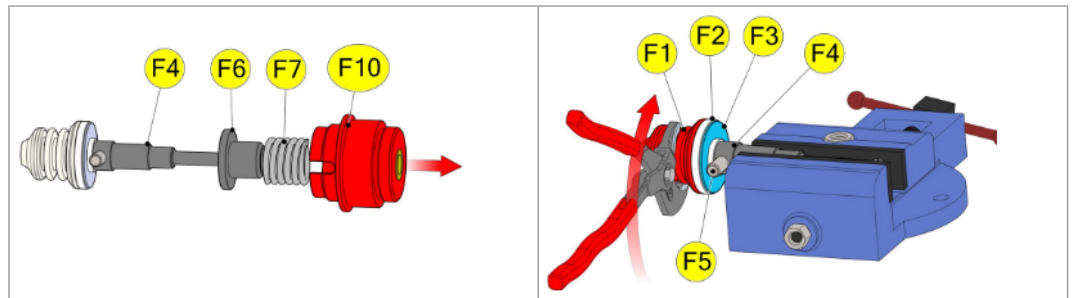
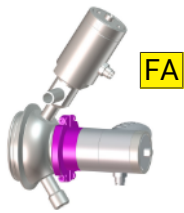


- Unscrew with a hook wrench the worm (M5) from shaft (F4). The spring (F7) is completely relaxed. Remove disc (M1). Remove plain bearing (M8) and O-Ring (M9) from housing (M10).

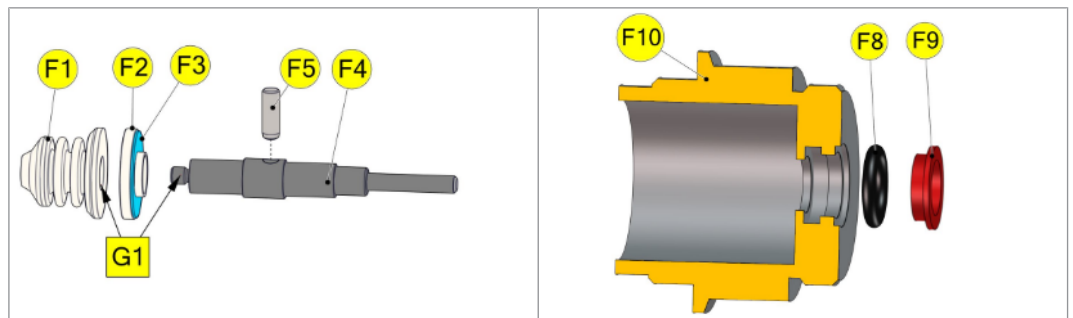


Dismantle - spring module FA

- Pull off the housing (F10), spring (F7) and guidance (F6) from shaft (F4). Clamp shaft (F4) between soft jaws in a vice and unscrew the bellow (F1) with a pliers.



- Remove the guidance (F2) and the plate spring (F3). Dismount the plain bearing (F9) and O-ring (F8) from housing (F10).



8.2 Assemble - sampling valve

- Before installation, thoroughly clean and slightly lubricate mounting areas and running surfaces.
- Lightly grease and mounting the O-rings.



⚠ CAUTION

- Thread connection (G1) from bellows (F1) and shaft (F4) is secured with a screw retention. After unscrewing the bellows (F1) it must always be replaced.
 - Remove all adhesive residue on the threaded connection (G1) and degrease thoroughly. During assembly secure the new bellows again with a Screw retention detachable (e.g. Loctite 243).

Insert spring module (FA)

At first open the valve manually. See fig. A, gap (SP) = 1mm.

- Fig. A**
- Place a nut (M) and a washer (U) on the shaft (F4).
 - Screw a nut (S) in the shaft till metallic stop by hand.
 - Then turn further with a flat wrench to the limit stop (approx. 3 turns). Insert the spring module (FA) into the housing (IG).
- Fig. B**
- Mount clamp coupling (F11) and tighten the screw connections (F12) / (F13) evenly.
 - Unscrew nut (M6) again. Remove disc (A6.4) and nut (12).
 - Check the valve function.

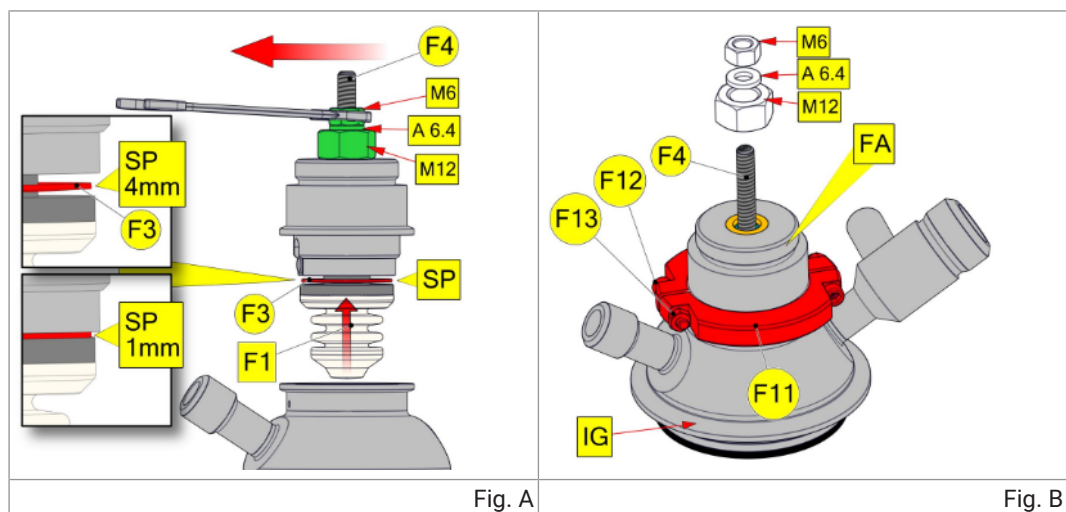


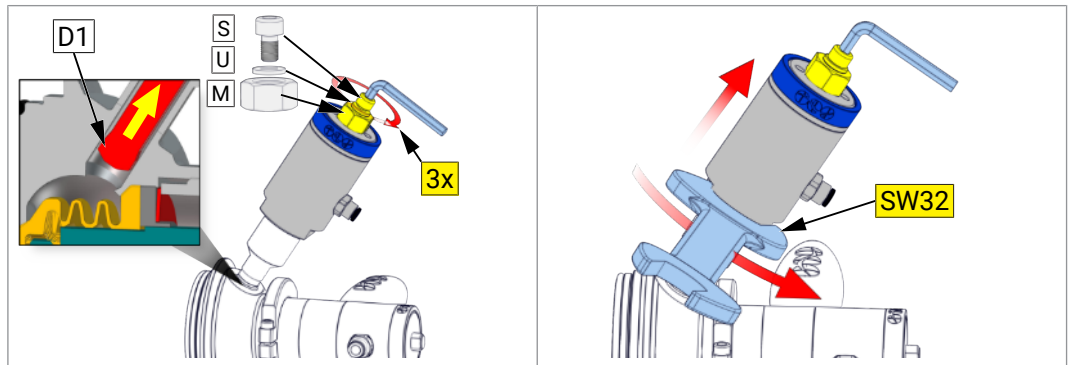
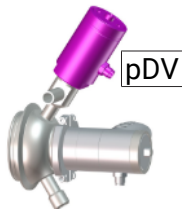
Fig. A

Fig. B

8.3 Dismantle - steam valve DV

Dismantle - pneumatic steam valve pDV

- Actuate the actuator with a Allen key.
- Place a nut (M) [M12] and a washer (U) [A6.4] on the shaft and screw in a screw (S) [M6x10] in the shaft till metallic stop by hand. Then turn further with al Allen key to the limit stop (approx. 3 turns). The piston retracts and the bellow lift up from valve seat.
- Use a flat wrench (SW 32) to unscrew the steam valve from the housing.



- Unscrew the screw (S) and remove nut (M) and disc (U).



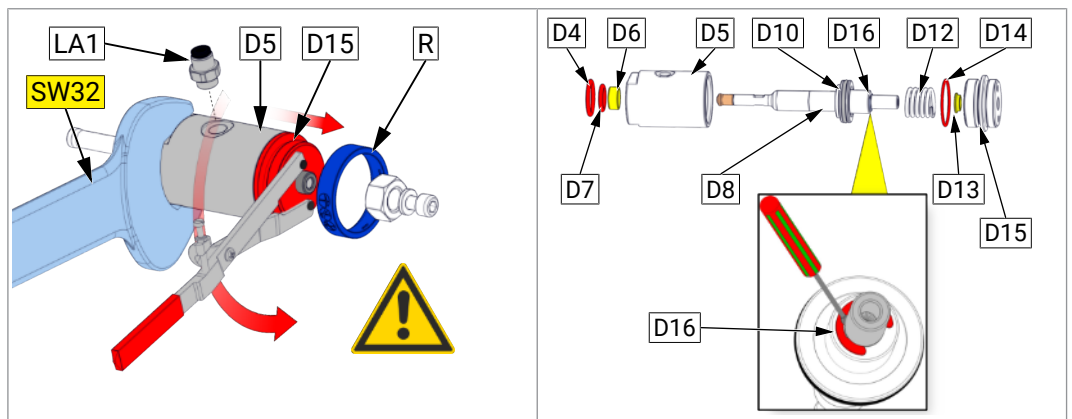
⚠ CAUTION

Risk of injury by jumping out components

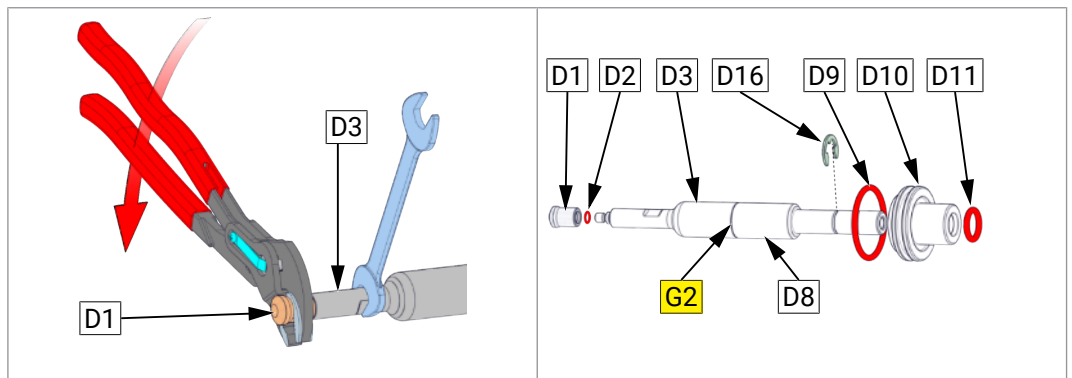
Spring-preloaded valve!

When unscrewing the cover (D15) components can jump out.

- Unscrew cover (D15). Remove all components from housing (D5). Dismount circlip ring (D16) and pull piston (D10) from shaft (D8). Remove the wearing parts.

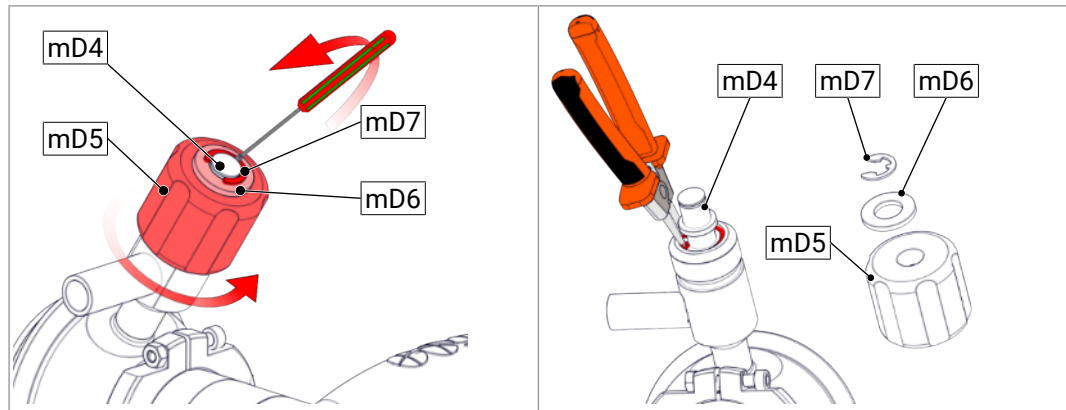


- Unscrew piston (D1) from shaft (D3). Remove the wearing parts.

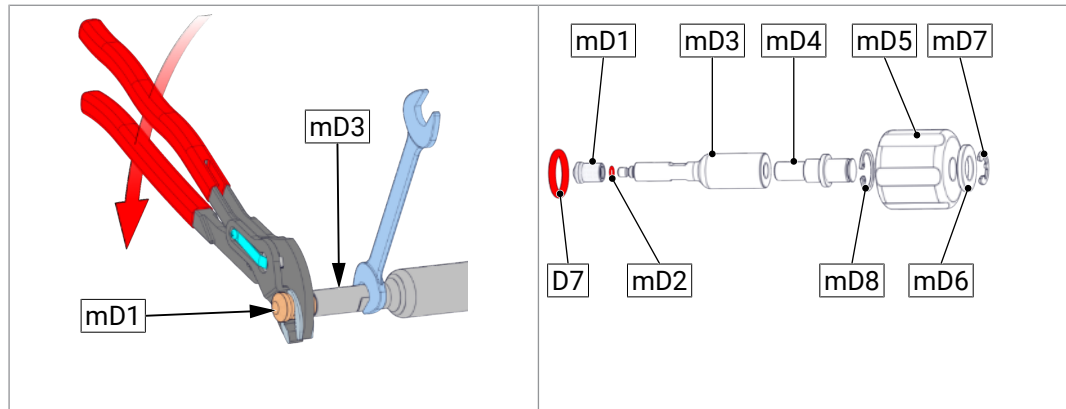


Dismantle - manual steam valve mDV

- Open the valve with the hand wheel (mD5) completely. Dismount the circlip (mD7). Remove disc (mD6) and hand wheel (mD5). Dismount the circlip (mD8). Pull the bolt (mD4) from the housing. Unscrew the piston (mD1). Dismantle the O-ring (D2), (D7). Remove the wearing parts.



- Unscrew piston (mD1) from shaft (mD2). Remove the wearing parts.

**8.4 Assemble - steam valve**

- Before installation, thoroughly clean and slightly lubricate mounting areas and running surfaces.
- Lightly grease and mounting the O-rings.

**⚠ CAUTION**

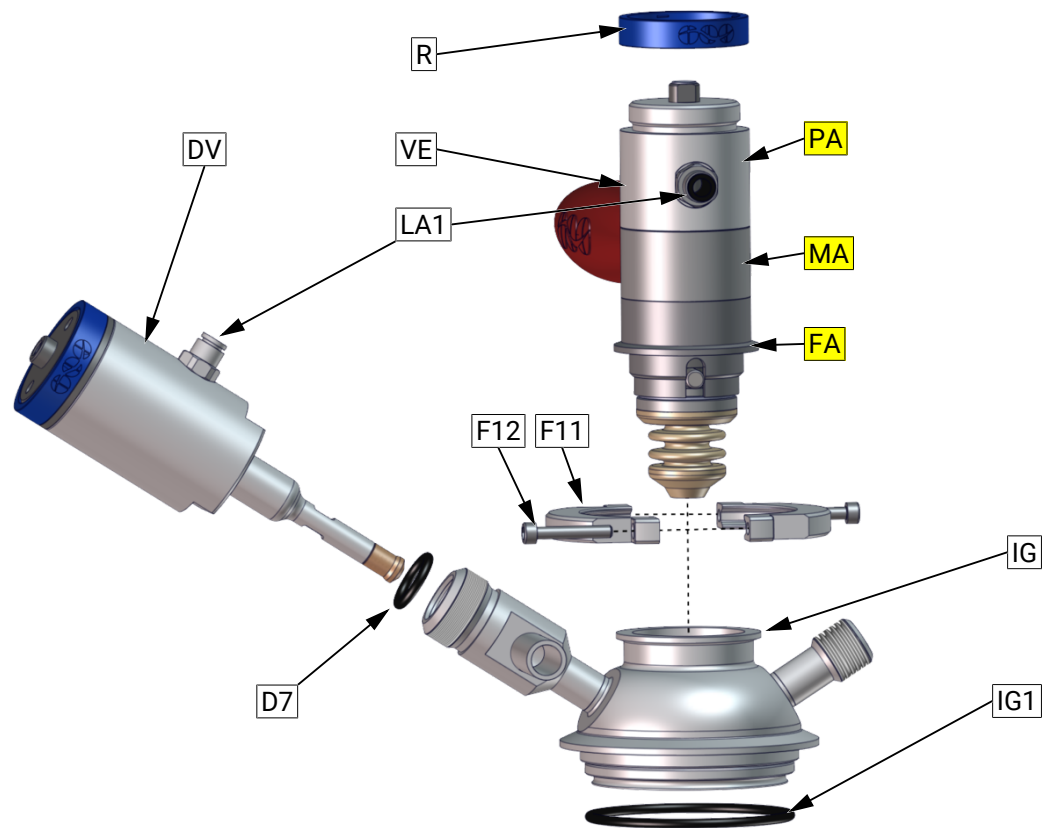
- Thread connection (G2) is secured with a screw retention.
- After unscrewing the piston (D1) e.g. (mD1) it must always be replaced.
 - Remove all adhesive residue on the threaded connection (G1) and degrease thoroughly. During assembly secure the new piston again with a Screw retention detachable (e.g. Loctite 243).

9 Drawings and dimensions

9.1 Drawings

Aseptic - sampling valve pneumatic, manual with steam valve

Inline housing with outlet nozzle



DV pneum. elev. actuator air open-spring close

F11 clamp ring

IG case complete

MA Modul manual actuator

R ring

D7 o-ring

F12 Allen screw

FA Spring module

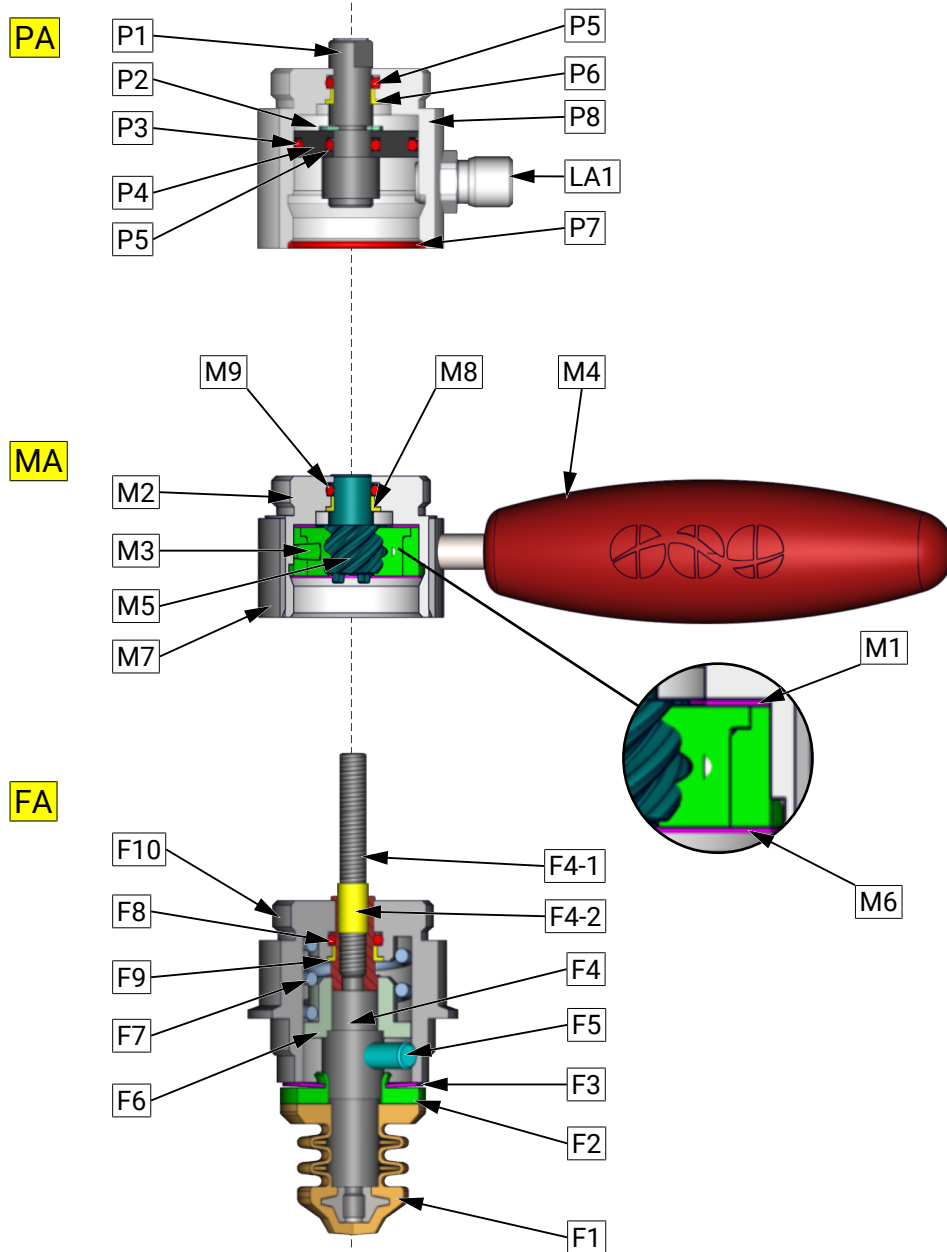
IG1 O-ring Art.: 2304060030-170

PA Module pneumatic actuator PA

VE insert complete

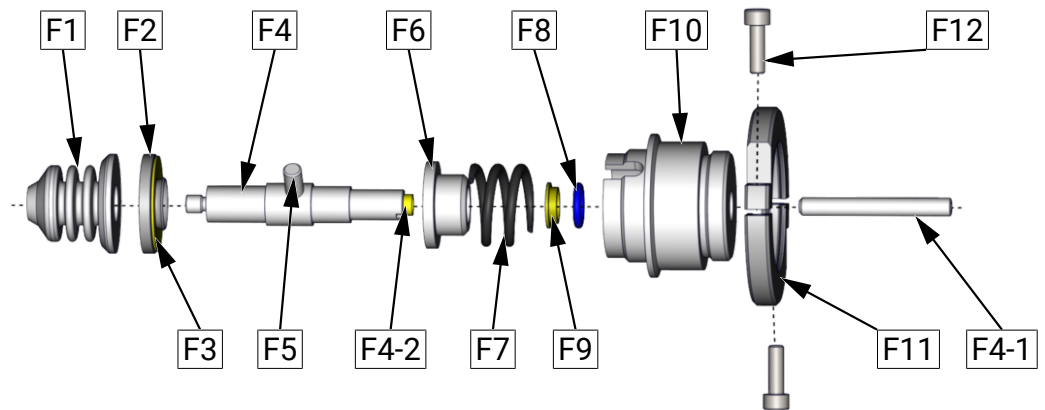
LA1 plug-in connection

Modules



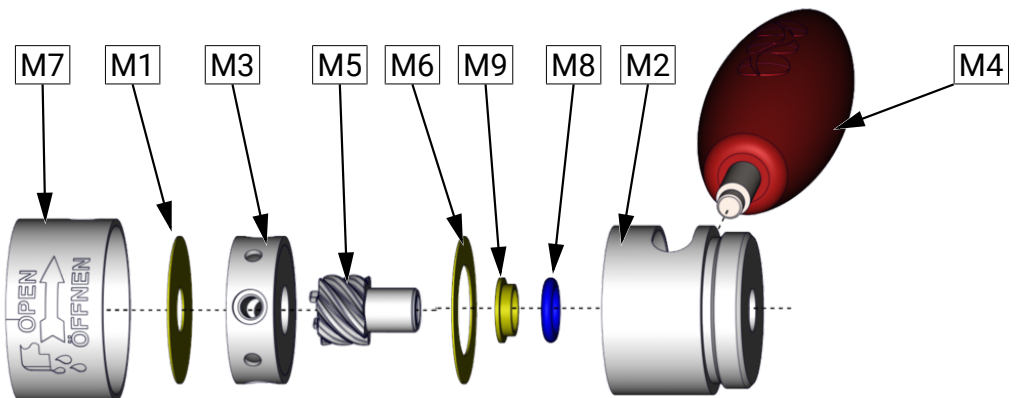
FA Spring module	F1 expansion bellow
F2 guidance	F3 Cup spring
F4 shaft	F4-1 headless pin
F4-2 bush	F5 cylinder pin
F6 guidance	F7 pressure spring
F8 o-ring	F9 plain bearing
F10 case	MA Modul manual actuator
M1 washer	M2 case
M3 dog	M4 handle
M5 worm	M6 washer
M7 cover	M8 plain bearing
M9 o-ring	PA Module pneumatic actuator PA
P1 shaft	P4 piston
P2 circlip ring	P5 o-ring
P3 o-ring	P6 plain bearing
P7 o-ring	P8 case
LA1 plug-in connection	

Spring module



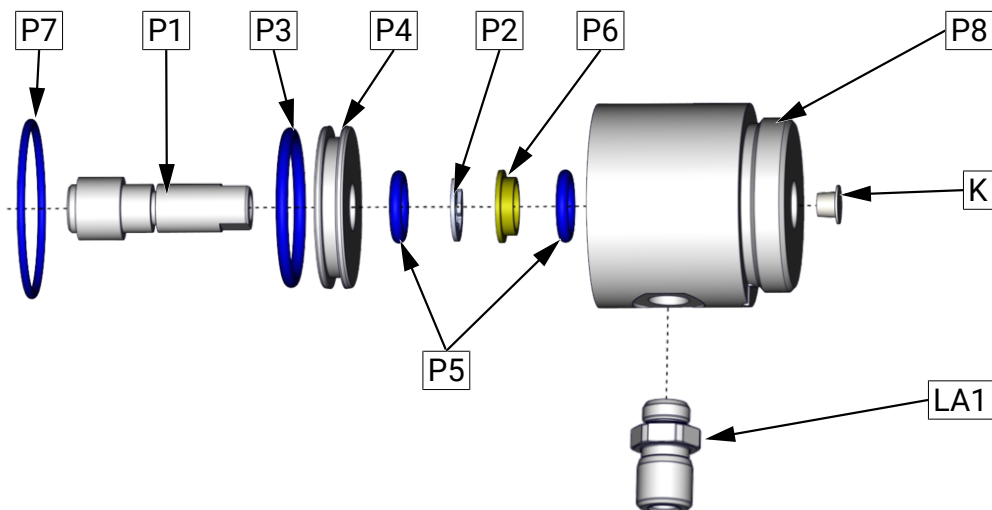
F1 expansion bellow	F2 guidance
F3 Cup spring	F4 shaft
F4-1 headless pin	F4-2 bush
F5 cylinder pin	F6 guidance
F7 pressure spring	F8 o-ring
F9 plain bearing	F10 case
F11 clamp ring	F12 Allen screw

Modul manual actuator



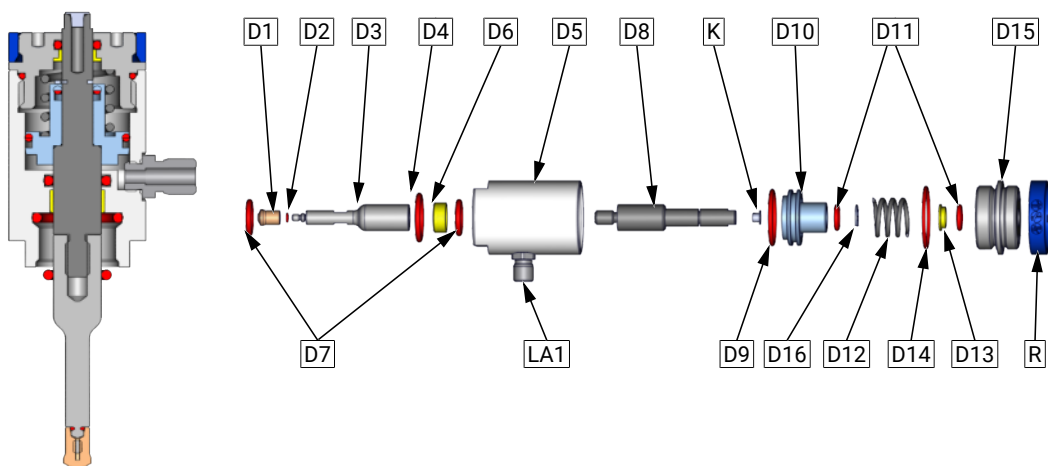
M1 washer	M2 case
M3 dog	M4 handle
M5 worm	M6 washer
M7 cover	M8 plain bearing
M9 o-ring	

Module pneumatic actuator PA

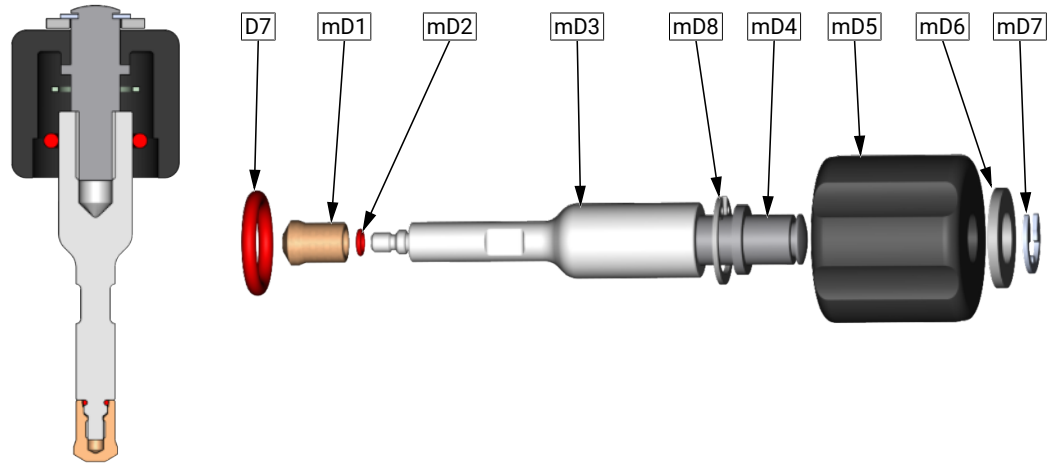


K cap	LA1 plug-in connection
P1 shaft	P2 circlip ring
P3 o-ring	P4 piston
P5 o-ring	P6 plain bearing
P7 o-ring	P8 case

Module pneumatic actuator DV



D1 piston	D2 o-ring
D3 shaft	D4 o-ring
D5 case	D6 plain bearing
D7 o-ring	D8 shaft
D9 o-ring	D10 piston
D11 o-ring	D12 pressure spring
D13 plain bearing	D14 o-ring
D15 casing cover	D16 circlip ring
LA1 plug-in connection	K cap
R ring	

Module manual actuator mDV

D7	o-ring	mD1	piston
mD2	o-ring	mD3	shaft
mD4	thread bolt	mD5	handwheel
mD6	washer	mD7	circlip ring
mD8	circlip ring		

9.2 Dimensions

<p>Control system and Feedback unit:</p> <ul style="list-style-type: none"> Control head (Control system) Sensor mounting (Feedback unit) 	
<p>Actuators:</p> <ul style="list-style-type: none"> manual actuator MA <ul style="list-style-type: none"> - spring close - self-locking Pneumatic actuator PA manual and pneumatic actuator MA & PA <ul style="list-style-type: none"> - spring close 	
<p>Steam valve:</p> <ul style="list-style-type: none"> Welding neck housing <ul style="list-style-type: none"> - pneumatic steam valve - manual steam valve Inline - housing <ul style="list-style-type: none"> - manual steam valve - pneumatic steam valve 	
<p>Housing:</p> <ul style="list-style-type: none"> T - pipe pieces Vessel - welding flange Welding neck Inline 	
<p>Connections:</p> <ul style="list-style-type: none"> Screw socket G3/8 Screw socket G3/8 B (with blind nut) Tube DN10 Clip-on Ø14 	

DN		G3/8	G3/8 B	DN10	Clip-on
L1		60.5	67.5	60	60
L2		55	65	53.5	53.5

DN	DIN	25	32	40	50	65	80	100	125	150
	Inch	1	-	1½	2	2½	3	4	-	-
L3	DIN	69.5	72.5	76	81.5	92.5	101	111.5	123	138.5
	Inch	-*	-	-*	-*	-*	-*	-*	-	-
L4	-	100	110	120	140	160	180	200	375	450
d1	DIN	29x1.5	35x1.5	41x1.5	50x1.5	70x2	85x2	104x2	129x2	154x2
	Inch	-*	-*	-*	-*	-*	-*	-*	-*	-*

* no measurements available yet

10 Wearing parts

10.1 Wear parts kit

Item	Designation	Article number	Qty.
VS	Wear parts kit	6125029000-000	1
F1	Bellow PTFE-TFM1705	6125021000-187	1
F8	O-ring \varnothing 10x2,5 NBR	2304010025-055	1

10.2 Spare parts list

Spring module FA 6125020000-021

Position	Quantity	Item number	Description	Material
F1	1	6125021000-187	Bellows	PTFE-TFM1705
F2	1	6125026001-020	Guide	1.4301
F3	1	6120015012-020	Cup spring	1.4301
F4	1	6125022002-020	Shaft	1.4301
F4-1	1	8096006050-020	Headless pin	1.4301
F4-2	1	6125022001-020	bush	1.4301
F5	1	8130006018-218	cylinder pin	1.4122 hardened
F6	1	6125024001-057	Guide	POM ws
F7	1	8150303010-031	Pressure spring	1.4310
F8	1	2304010025-055	O-ring	NBR sw 70
F9	1	8050010003-156	Slide bearing	iglidur
F10	1	6125023001-220	Housing	1.4305
F11	1	6125025000-020	clamp coupling	1.4301
F12	2	8095005016-020	Allen screw	1.4301

Modul manual actuator MA 6125030000-021

Position	Quantity	Item number	Description	Material
M1	1	6125036000-196	Washer	PTFE
M2	1	6125033000-220	Housing	1.4305
M3	1	6125032010-020	dog	1.4301
M4	1	6125035000-000	handle	-----
M5	1	6125031001-020	worm	1.4301
M6	1	6125037000-196	Washer	PTFE
M7	1	6125034000-220	Cover	1.4305
M8	1	8050010003-156	Slide bearing	iglidur
M9	1	2304010025-055	O-ring	NBR sw 70

Module pneumatic actuator PA 6125040000-021

Position	Quantity	Item number	Description	Material
P1	1	6125042001-020	Shaft	1.4301
P2	1	8084007090-030	Retaining ring	1.4122
P3	1	2304028025-077	O-ring	NBR sw 80
P4	1	6125043000-220	Piston	1.4305
P5	2	2304010025-055	O-ring	NBR sw 70
P6	1	8050010003-156	Slide bearing	iglidur
P7	1	2304030018-055	O-ring	NBR sw 70
P8	1	6125041000-220	Housing	1.4305
LA1	1	8216000002-015	plug-in connection	Brass
K	1	5622100062-096	Cap	PE tr

Module pneumatic actuator DV 5101030000-000

Position	Quantity	Item number	Description	Material
	1	6125092000-115	Piston	PEEK
D2	1	5101031000-220	Housing	1.4305
D3	1	8216000002-015	plug-in connection	Brass
D4	1	2304022030-055	O-ring	NBR sw 70
D8	1	5101032000-021	Shaft	1.4301
D6	1	8050015007-156	Slide bearing	iglidur X
D7	2	2304015030-055	O-ring	NBR sw 70
D16	1	8084007090-030	Retaining ring	1.4122
D9	1	2304025025-055	O-ring	NBR sw 70
D10	1	5101033000-057	Piston	POM ws
D11	2	2304010025-055	O-ring	NBR sw 70
D12	1	8150274000-031	Pressure spring	1.4310
D13	1	8050010003-156	Slide bearing	iglidur
D14	1	2304030020-055	O-ring	NBR sw 70
D15	1	5101034000-021	Housing cover	1.4301
R	1	6125050000-000	ring	ABS
K	1	5622100062-096	Cap	PE tr

Valve size

xxxx xXx xxx-xxxx				
DIN T-piece	Zoll T-piece	Inline-Clamp	tank welding neck,	Pos. 5
S DN25	---	DN40 to DN150	no nominal diameter	0
S-S DN25	---	DN10 to DN32	---	1
S-S DN32	---	---	---	2
S-S DN40	S-S OD 1½"	---	---	3
S-S DN50	S-S OD 2"	---	---	4
S-S DN65	S-S OD 2½"	---	---	5
S-S DN80	S-S OD 3"	---	---	6
S-S DN100	S-S OD 4"	---	---	7
S-S DN125	---	---	---	8
S-S DN150	---	---	---	9

Outlet connections

xxxx xxX xxx-xxxx	
Outlet connections	Pos. 6
G 3/8 - screw socket	1
DN10 - pipe connection	2
Clip-on	3
G 3/8 - screw socket with blind nut	4

Rinsing connection - steam valve

xxxx xxx Xxx-xxxx	
Rinsing connection	Pos. 7
no rinsing connection	0
G 3/8 - screw socket	1
DN10 - pipe connection	2
Clip-on	3
G 3/8 - screw socket with blind nut	4
Steam valve - manual	5
pneumatic steam valve with end ring	6
pneumatic steam valve with feedback unit	7
pneumatic steam valve with control head	8

Variations of actuation

xxxx xxx xXx-xxxx	
Variations of actuation	Pos. 8
manual (spring close)	0
manual (self locking)	1
Pneumatic	2
pneumatic & manual	3
manual handwheel	4

Kind of actuator

xxxx xxx xxX-xxxx	
Kind of actuator	Pos. 9
Closing ring	0
Feedback unit (not with manual actuator)	1
Control head (not with manual actuator)	2

Separator

xxxx xxx xxx-xxxx	
Pos. 10	
Separator	-

Control system, External surface

xxxx xxx xxx-XXXX				
Control system and position indicator	Pos. 11	Pos. 12	Pos. 13	Pos. 14
Control head KI-Top SPS	K	5	x	x
Control head KI-Top ASi-Bus	K	6	x	x

External surface	Pos. 11	Pos. 12	Pos. 13	Pos. 14
Valve with position indication External surface: AISI316L, nickelize air connections	0	4	1	
Valve with position indication External surface: AISI316L, stainless steel air connections	V	0	4	1

12 Appendix

12.1 Declaration of incorporation



Declaration of incorporation

Translation of the original

Manufacturer / authorised representative:

KIESELMANN GmbH
 Paul-Kieselmann-Str. 4-10
 75438 Knittlingen
 Germany

Authorised representative:

(for compiling technical documents)

Achim Kauselmann
 (Documentation / Development)
 KIESELMANN GmbH
 Paul-Kieselmann-Str. 4-10
 75438 Knittlingen
 Germany

<u>Product name</u>	<u>Function</u>
pneum. Lift actuators	Stroke movement
pneum. Rotary actuators	Rotary movement
Ball valves	Media cutoff
Butterfly valves	Media cutoff
Single seat valves	Media cutoff
Flow control valves	Control of liquefied media
Throttle valve	Control of liquefied media
Overflow valve	Definition of fluid pressure
Double seat valve	Media separation
Bellow valves	Sampling of liquids
Sampling valves	Sampling of liquids
Two way valves	Media cutoff
Tankdome fitting	Prevention of overpressure and vacuum, Tank cleaning
Safety valve	Prevention of overpressure

The manufacturer hereby states that the above product is considered as an incomplete machine in the sense defined in the Directive 2006/42/EC on Machinery. The above product is exclusively intended to be installed into a machine or an incomplete machine. The said product does not yet conform to all the relevant requirements defined in the Directive on Machinery referred to above for this reason.

The specific technical documents listed in Appendix VII, Part B, have been prepared. The Authorized Agent empowered to compile technical documents may submit the relevant documents if such a request has been properly justified.

Commissioning of an incomplete machine must not only carried out if it has been determined that the respective machine into which the incomplete machine is to be installed conforms to the regulations set out in the Directive on Machinery referred to above.

The above product conforms to the requirements of the directives and harmonized standards specified below:

- Directive 2014/68/EU
- DIN EN ISO 12100 Safety of machinery

Knittlingen, 21.09.2017

i.V. Uwe Heisswolf
 Head of Development

