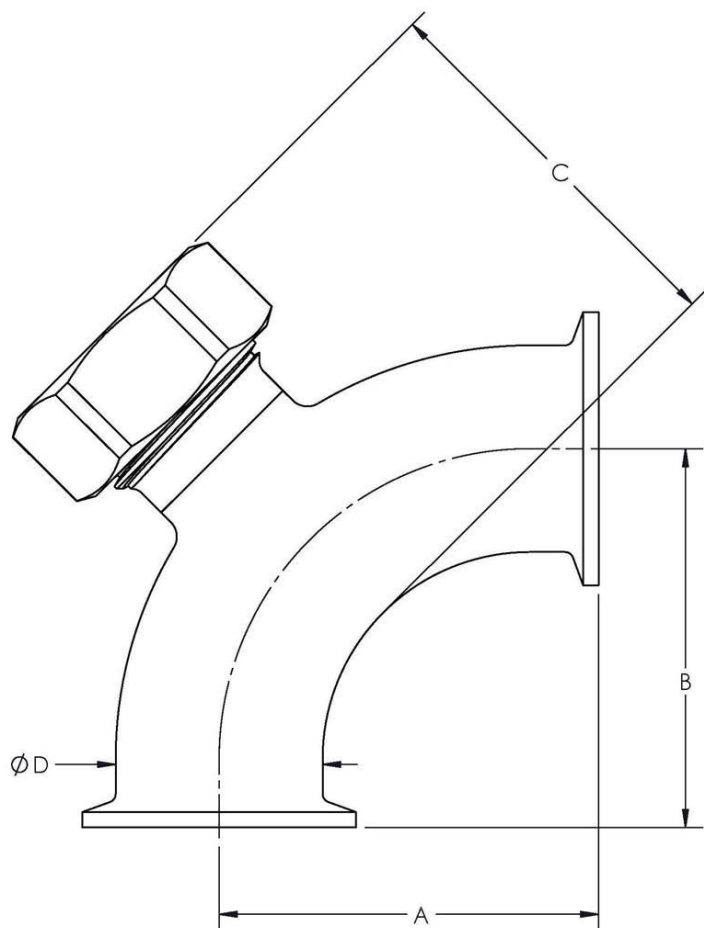




TruStream Tri-Clamp Inspection Ports (with Hex Nut)



Material: 316L Stainless Steel
Roughness: ≤ 20 Ra (Internal)

Component	Part Number	Diameter	A / B	C
TruStream7	213021	1.0"	2.00"	2.4"
	213025	1.5"	2.75"	2.9"
	213029	2.0"	3.50"	3.4"
	213023	2.5"	4.25"	3.9"
	213027	3.0"	5.00"	4.4"
	213045	4.0"	6.63"	5.4"
TruStream12	213124	2.0"	3.50"	3.5"
	213128	2.5"	4.25"	4.0"
	213134	3.0"	5.00"	4.5"
			6.63"	5.5"

