

APV DELTA SVS1F

BUTTERFLY VALVE

FORM NO.: H174933 REVISION: UK-8

READ AND UNDERSTAND THIS MANUAL PRIOR TO OPERATING OR SERVICING THIS PRODUCT.



Scan for SV1/SVS1F Valve
Maintenance Video



EU Declaration of Conformity for Valves and Valve Manifolds

SPX FLOW TECHNOLOGY GERMANY GMBH
Gottlieb-Daimler-Str. 13, D-59439 Holzwickede
herewith declares that the

**APV double seal and double seat valves of the series
SD4, SDT4, SDU4, SDMS4, SDMSU4, SDTMS4, SWcip4, DSV,
DA3, DA3SLD, DE3, DEU3, DET3, DKR2, DKRT2, DKRH2**
in the nominal diameters DN 25 - 150, ISO 1" – 6" and 1 Sh5 - 6 Sh5

APV butterfly valves of the series SV1 and SVS1F, SVL and SVSL
in the nominal diameters DN 25 - 100, DN 125 - 250 and ISO 1" – 4"

APV ball valves of the series KHI, KHV
in the nominal diameters DN 15 - 100

**APV single seat, diaphragm and spring loaded valves of the series
S2, SW4, SWhp4, SW4DPF, SWmini4, SWT4, SWS4, MF4, MS4, MSP4, AP/T1, CPV,
RG4, RG4DPF, RGMS4, RGE4, RGE4DPF, RGEMS4, PR2, PRD2, SI2, UF/R3, VRA/H**
in the nominal diameters DN 10 - 150, ISO 1/2" – 4" and 1 Sh5 - 6 Sh5

and the valve manifolds installed thereof

meet the requirements of the Directives 2006/42/EC (superseding 89/392/EEC
and 98/37/EC) and ProdSG (superseding GPSG - 9.GPSGV).

For official inspections, SPX FLOW presents
a technical documentation according to Appendix VII of the Machinery Directive,
this documentation consisting of documents of the development and construction,
description of measures taken to meet the conformity and to correspond with
the basic requirements on safety and health, incl. an analysis of the risks,
as well as an operating manual with safety instructions.

The conformity of the valves and valve manifolds is guaranteed.

Authorised person for the documentation:
Frank Baumbach

SPX FLOW TECHNOLOGY GERMANY GMBH
Gottlieb-Daimler-Str. 13, D-59439 Holzwickede, Germany

November 2017

ppa. Baumbach

Frank Baumbach
Regional Engineering Manager, F&B Components

Table of Contents		Page
1.	General Terms	2
2.	Safety Instructions	2 - 3
3.	Intended Use	3
4.	Mode of Operation	4
4.1.	General terms	
5.	Auxiliary Equipment	5 - 7
5.1.	Valve position indication - actuated valve (proximity switches)	
5.2.	Valve position indication - manually operated valve (proximity switches)	
5.3.	Handle with adjusting device	
5.4.	Control Unit	
5.5.	Adapter for control unit	
5.6.	Turning actuator for control unit	
6.	Cleaning	8
7.	Installation	8 - 9
7.1.	Connections	
7.2.	Welding instructions	
8.	Dimensions / Weights	10 - 11
9.	Technical Data	12 - 13
9.1.	General data	
9.2.	Compressed air quality	
9.3.	Kvs values	
9.4.	Opening / closing times	
9.5.	Torques	
9.6.	Control air consumption	
10.	Materials	14
11.	Maintenance	15
12.	Service Instructions	16 - 18
12.1.	Disassembly from the line system	
12.2.	Disassembly of actuating device	
12.3.	Dismantling of inner parts	
12.4.	Replacement of seals	
12.5.	Installation of seals and bearing bushes	
12.6.	Installation of actuating device	
12.7.	Installation of feedback units	
13.	Spare Parts Lists	19
	(see attachment)	
	SVS1F - FZ CU DN 25 - 100, 1"-4"	- RN 01.038.004
	SVS1F - H DN 25 - 100, 1"-4"	- RN 01.038.000 - 2
	Handle SV-HL valve position indication DN25 - 100, 1" - 4"	- RN 01.037.0
	Turning actuator K-80, K-125, K-180 spring/air	- RN 01.073
	Turning actuator spring/air for feedback unit	- RN 01.076

1. General Terms

This instruction manual has to be read carefully and observed by the responsible operating and service personnel.

We do not accept any liability for damage or malfunctions resulting from the non-compliance with this instruction manual.

Descriptions and data given herein are subject to technical changes.

2. Safety Instructions

The valve must only be assembled, disassembled and reassembled by persons who have been trained in APV valves or by SPX FLOW service team members. If necessary, contact your local SPX FLOW representative.

DANGER!



- The technical safety symbol draws your attention to important directions for operating safety. You will find it wherever the activities described are bearing health hazards or risks for persons or material assets.



- Do not reach into the open valve or into the yoke!
Risk of bruising at movable parts of the valve.



- In dismantled state there is the risk of injury by sudden valve operation.

- Regular maintenance including replacement of seals and bearing bushes must be scheduled for the valve in order to prevent leakages and discharge of liquids.



- Before any maintenance of the valve, the line system must be depressurized and discharged if possible.



- Electric and pneumatic connections must be separated.
- Observe the following Service Instructions to ensure safe maintenance of the valve.

2. Safety Instructions



- **DANGER!**

Welded actuators are preloaded by spring force.

**Opening of the actuators is strictly forbidden.
Danger to life!**

Actuators which are no longer used and / or defective must be disposed in professional manner.

Defective actuators must be returned to your local SPX FLOW representative for their professional disposal and free of charge for you.

Please address to your local SPX FLOW representative.

3. Intended Use

The intended use as field of application of the butterfly valve is the shut-off of pipeline sections.

Arbitrary, structural changes at the valve may affect safety as well as the intended functionality of the valve and are **not** permissible.

Authorizations and External Approvals:

ATEX (Directive 2014/34/EU)

4. Mode of Operation

4.1. General terms

Use of high-quality stainless steel and seal materials to the specified requirements, the butterfly valve range DELTA SVS1F is applicable in the food and beverage industries as well as in the chemical and pharmaceutical industries.

Valves of the series DELTA SVS1F can either be operated manually or remote controlled via a pneumatic actuator. Manual operation and pneumatic actuator including add-on pieces are interchangeable.

In the standard design "NC", the pneumatic turning actuator opens the valve with compressed air.
Reset by spring force into the limit position closed.

Extension of operating time of actuated valves by pneumatic air throttle or adjusting screw in the control unit to optimize the flow behaviour and to reduce the risk of pressure hammers in installations if necessary.

The butterfly valve can also be used in vacuum systems.

The valve opens and closes by turning the disc by 90°.

Smooth valve passage without diversion of line flow.

The opening diameter complies with the size of the inner line diameter.

5. Auxiliary Equipment

- 5.1. Valve position indication - valve with pneumatic actuator**
Proximity switches to signal the limit position of the valve disc can be installed in the yoke area if required.

We recommend to use our APV standard proximity switches.
Type: three-wire proximity switch (ref.-No. 08-60-011/93; H16223)
Operating distance: 4mm / diameter: 11mm / length: 30 mm.

Feedback complete with support and proximity switch
(ref.-No. 15-33-023/93; H32725) for a limit position.

Using a valve position indicator other than APV, we cannot guarantee faultless function.

- 5.2. Valve position indication - valve with manual operation**
Specific manual actuations with feedback feature are available:

- a) Feedback of the disc position **closed**
(simple variant).
- b) Feedback of both disc positions
open and **closed** is possible.

- 5.3. Manual operation with adjusting device**

As a special design, a handle is available which provides for the fixation of intermediate positions of the flap beside the two limit positions.

5. Auxiliary Equipment

fig. 5.4.



5.4. Control unit (CU, fig. 5.4.)

Units with feedback switch and magnet valve for the pneumatic control of the valve for assembly on the actuator are also available in fieldbus technology.

The assembly of a control unit on a pneumatic actuator is possible.

The following different designs are available:

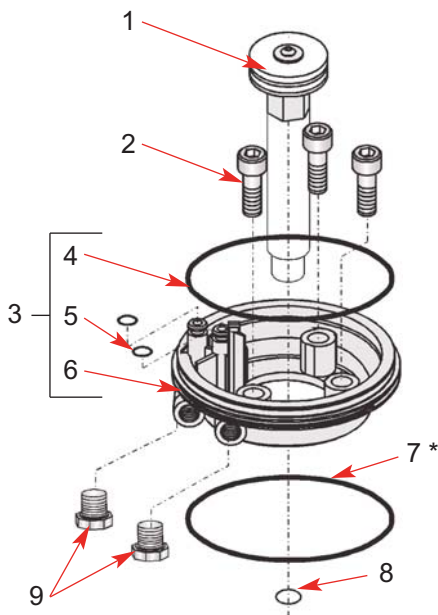
Direct Connect	CU41-T-Direct Connect 08 - 45 - 101/93; H320461
AS-i extended 62 slaves	CU41-T-AS-i extended 08 - 45 - 111/93; H320468
DeviceNet	CU31 DeviceNet 16 - 31 - 240/93; H209422
Profibus	CU31 Profibus 08 - 45 - 001/93; H315495

5.5. Adapter for control unit (fig. 5.5.)

CU31 Profibus, CU31 DeviceNet

The following adapters are required to install the control unit on the SVS1F valve:

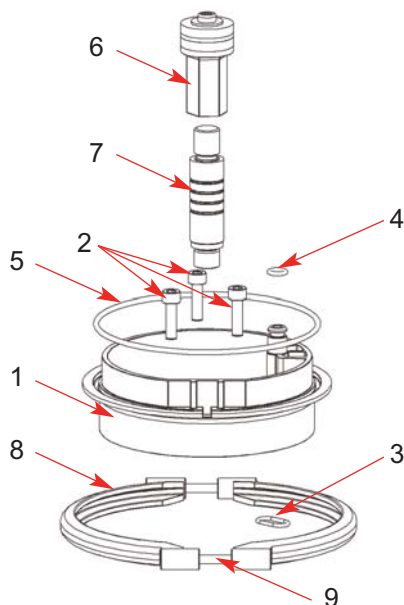
fig. 5.5.



Spare parts for CU2 adapter			
Item	Pcs.	Designation	reference No. ID-No.
-	-	CU2 adapter K080 SVS1F, DKR	000 08-48-416/93 H209431
1	1	CU operating cam compl. SVS/DKR	000 08-60-779/93 H208853
2	3	cyl. screw ISO1207 M5x18-A2-7	000 08-60-760/15 H208835
3	1	adapter set	000 08-60-333/93 H310442
- 4	1	o-ring 88,62-1,78 NBR	000 58-06-387/83 H208639
- 5	2	o-ring 5,28-1,78 NBR	000 58-06-044/83 H208640
- 6	1	CU adapter for SVS,DKR	000 08-60-728/93 H208803
7*	1	o-ring 90-2 NBR * scope of supply actuator	000 58-06-426/83 H143352
8	1	o-ring 13,0-2,0 NBR 70	000 58-06-049/83 H208642
9	2	blind plug G1/8"	000 08-60-740/93 H208815

5. Auxiliary Equipment

fig. 5.5.1.



5.5.1. Adapter for control unit (fig. 5.6.1.) CU41-T-Direct Connect, CU41-T-AS-i extended

The following adapter is required to install the control unit CU4 on the SVS1F valve:

Spare parts for CU4 T- adapter			
Item	Pcs.	Designation	reference No. ID-No.
-	-	CU4 T-adapter cpl.	000 08-48-601/93 H 320475
1	1	CU4 T-adapter	000 08-46-571/93 H319875
2	3	cyl. screw ISO1207 M5x16-A2-70	000 65-05-054/13 H79000
3	1	o-ring 11-2 NBR 55 Shore A	000 58-06-034/83 H321897
4	1	o-ring 6-2 NBR	000 58-06-059/83 H320505
5	1	o-ring 101,27-2,62	000 58-06-493/83 H148389
6	1	CU4-operating cam complete	000 08-60-900/93 H320479
7	1	CU4 SVS, DKR operating rod	000 08-60-905/93 H320480
8	2	CU4 clamp halves complete	000 08-46-569/93 H319873
9	2	cy. screw ISO 4762 M4x40 inner hexagon	000 65-05-040/13 H320360

5.6. Turning actuator for control unit

- For the assembly of a control unit on the butterfly valve a special turning actuator is required. The standard turning actuator must be replaced.

Turning actuator for control unit	
DN 25 - 100 / K080 F/L Inch 1" - 4" / K080 F/L	ref.-No.: 000 - 15 - 37 - 070/17 H123937

6. Cleaning

6.1. Cleaning recommendation

The valve passage is cleaned by cleaning liquids during cleaning of the connected pipelines.

Depending on the degree and constituents of soiling, the cleaning liquids, times and processes must be scheduled for the individual application.

The compatibility of the individually selected cleaning processes and liquids with the respectively used seals must be verified.

7. Installation

In normal installation position, the actuator is positioned vertically to the top. Depending on the respective application, optional installation positions can, however, also be realized.

SVS1F valves are equipped for the assembly between FG1 flanges.

Attention: Observe welding instructions.

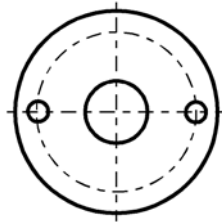
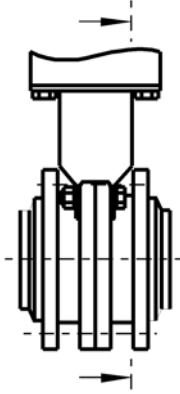
7.1. Connections

Standard plain flanges FG1 between which the valve is installed form part of the scope of supply.
The flanges have weld ends in the respective nominal dimension.

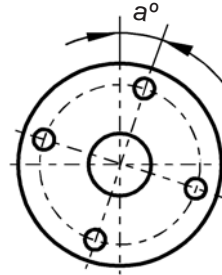
7. Installation

7.2. Welding Instructions

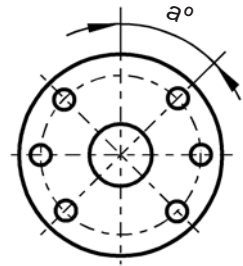
- Observe the bore position during welding of the mating flanges (see fig. and table).



DN 25
1"
(flange 4 bores)
- 2 screws



DN 40 - 65
1,5" - 3"
(flange 4 bores)
- 4 screws

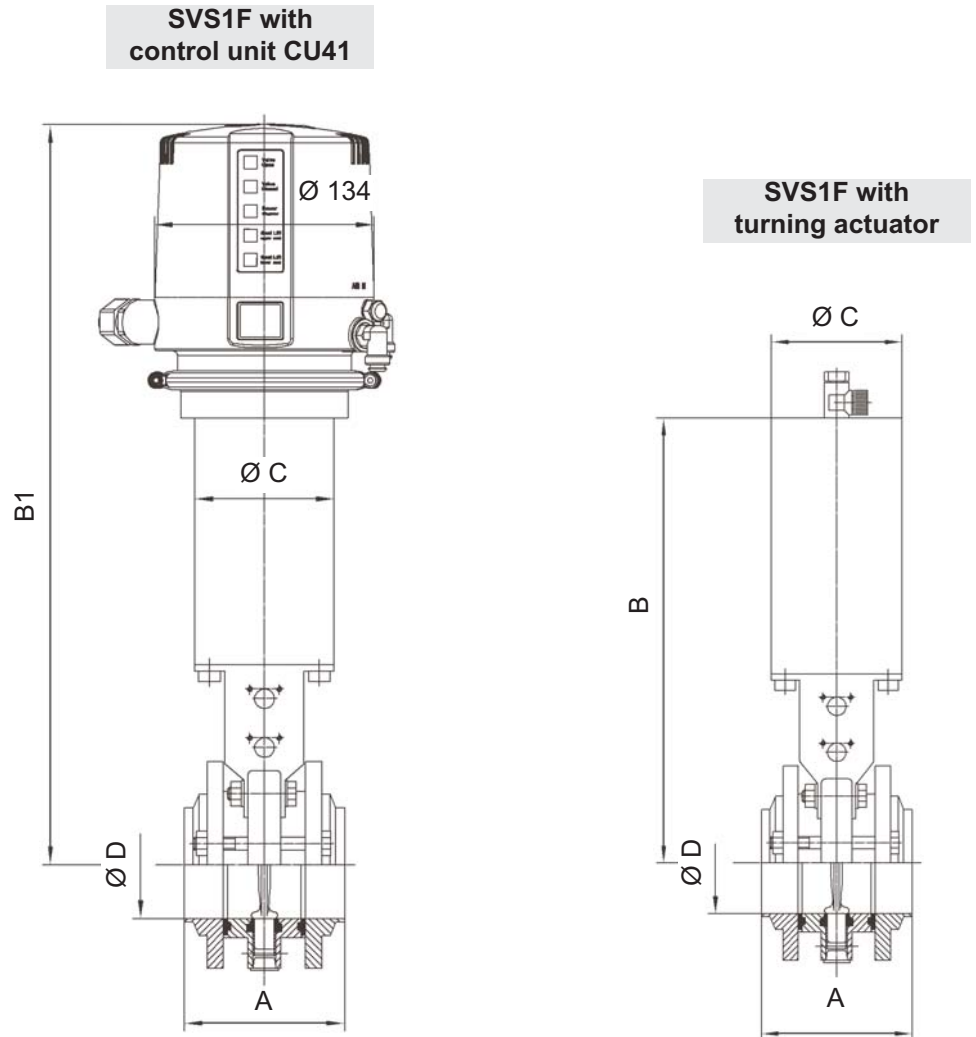


DN 80,100
4"
(Flange 8 bores)
- 6 screws

DN	Inch	a°
25	1"	-
40	1,5"	18°
50	2"	16°
65	2,5"	14°
	3"	13°
80, 100	4"	45°

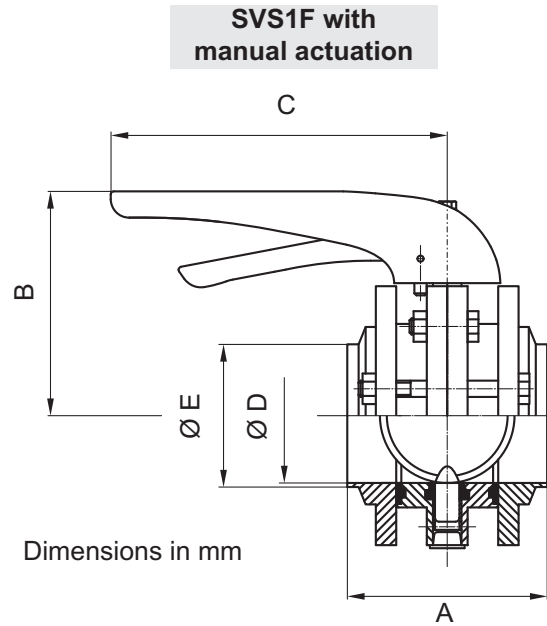
- Welding may only be carried out by certified welders (DIN EN ISO 9606-1). (seam quality DIN EN ISO 5817).
- The welding of the mating flanges must be effected in such a way that deformation strain cannot be transferred.
- TIG orbital welding is the most appropriate method.
- Before welding, all sensitive parts must be removed!
Dismantle the valve core with seals from between the mating flanges.
- After welding of the mating flanges and after work at the pipelines, the corresponding parts of the installation or pipelines must be cleaned from welding residues and soiling.
If these cleaning instructions are not observed, welding residues and dirt particles can settle in the valve and cause damage or be carried over to other parts of the installation.
- Any damage resulting from the non-observance of these welding instructions is not subject to our guarantee.

8. Dimensions / Weights



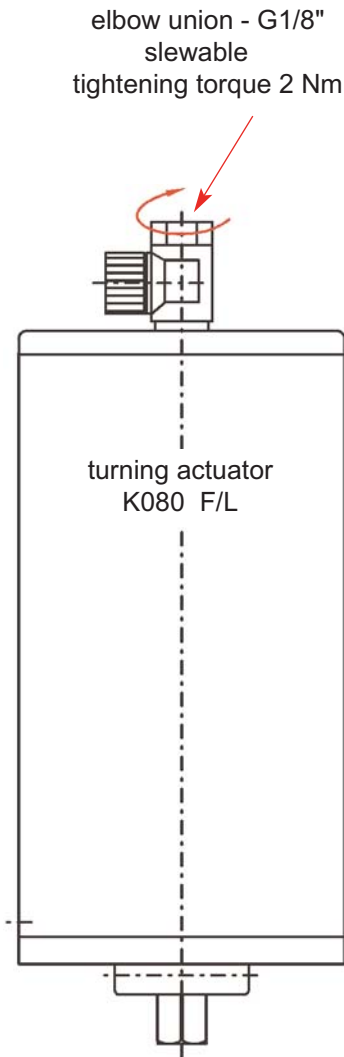
Dimensions in mm							Weights in kg	
DN	A	B	B1	Ø C	Ø D	Ø E	butterfly valve with turning actuator	butterfly valve with turning actuator and control unit
25	98	271,5	451,5	85	26	29	5,0	6,0
40	98	280	460	85	38	41	5,7	6,7
50	98	285	465	85	50	53	6,4	7,4
65	98	293,5	473,5	85	66	70	7,0	8,0
80	98	301	481	85	81	85	7,4	8,4
100	98	311	491	85	100	104	8,8	9,8
Inch								
1"	98	271,5	451,5	85	22,6	25	5,0	6,0
1,5"	98	280	460	85	34,8	38	5,7	6,7
2"	98	285	465	85	47,8	51	6,4	7,4
2,5"	98	293,5	473,5	85	60,3	63,5	7,0	8,0
3"	98	297	477	85	72,9	76,1	7,4	8,4
4"	98	311	491	85	97,6	101,6	8,8	9,8

8. Dimensions / Weights



DN	A	B	C	Ø D	Ø E	Weights in kg
25	98	88	165	26	29	2,2
40	98	96,5	165	38	41	2,9
50	98	101,5	165	50	53	3,3
65	98	110	165	66	70	4,0
80	98	117,5	165	81	85	4,8
100	98	127,5	165	100	104	5,2
Inch						
1"	98	88	165	22,6	25	2,2
1,5"	98	96,5	165	34,8	38	2,9
2"	98	101,5	165	47,8	51	3,3
2,5"	98	110	165	60,3	63,3	4,0
3"	98	113,5	165	72,9	76,1	4,8
4"	98	127,5	165	97,6	101,6	5,2

9. Technical Data



9.1. General data

- max. lin pressure : **10bar**
- max. operating temperature : **135°C EPDM, HNBR**
* VMQ, * FPM
- short-term load : **140°C EPDM, HNBR**
* VMQ, * FPM
* (no steam)
- vacuum tightness : **2mbar**
- opening angle of butterfly valve : **90°**
min. air pressure for actuator : **6bar**
max. air pressure for actuator : **10bar**
- air connection (for hose) : **6x1**
elbow union - G1/8"
slewable : **tightening torque 2Nm**

9.2. Compressed air quality: Quality Class acc. to ISO 8573-1

content of solid particles: Quality Class 3

max. size of solid particles per m³
10000 of 0,5µm < d ≤ 1,0µm
500 of 1,0µm < d ≤ 5,0µm

content of water:

Quality Class 3
max. dew point temperature -20°C
For installations at lower temperatures
or at higher altitudes, additional
measures must be considered
to reduce the pressure dew point
accordingly.

content of oil:

Quality Class 1
max. 0,01mg/m³

The oil applied must be compatible with Polyurethane elastomer materials.

9.3. kvs values in m ³ /h		
DN	Inch	
25	1"	40
40	1,5"	89
50	2"	160
65	2,5"	250
80	3"	440
100	4"	630

9. Technical Data

9.4. Opening and closing times

The actuating times depend on the length of the air line between the magnet valve to the air control and the actuator.

For air lines with a length of up to 1 m, the opening time for butterfly valves DN 25/1" to DN 100/4" at 6 bar control air pressure amounts to about 1 second. The closing time, after air shut-off, depends on the nominal dimension and amounts to 2 to 3 seconds.

If the valves are subject to strong friction, e.g. through dry seals, the actuating times extend accordingly.

9.4.1. Opening and closing times for butterfly valves

The opening and closing times of valves equipped with a control unit can be adjusted.

		opening time in sec. control air pres. 6 bar	closing time in sec.
DN	Inch	hose length 1m	
25	1"	1 sec.	1,5 sec.
40	1,5"	1 sec.	1,5 sec.
50	2"	1 sec.	1,5 sec.
65	2,5"	1 sec.	2,5 sec.
80	3"	1 sec.	3,0 sec.
100	4"	1,2 sec.	3,5 sec.

All time data are approximate values taken from sample measurements.

9.5. Torque Md [Nm] for butterfly valves

DN	Inch	Md [Nm]
25	1"	10
40	1,5"	12
50	2"	16
65	2,5"	20
80	3"	22
100	4"	24

9.6. Control air consumption at 6 bar control pressure

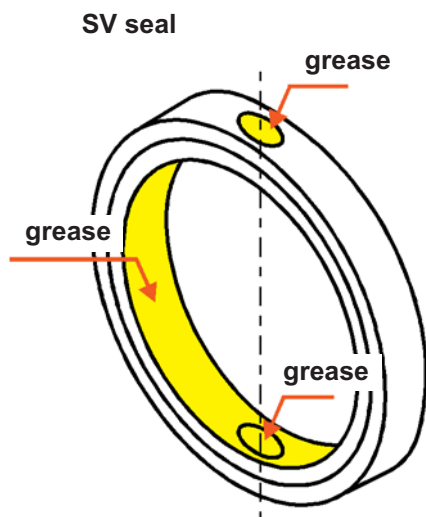
turning actuagor K080 (spring/air)
per stroke 1,8 (NL)

10. Materials

- valve disc	1.4571 / 1.4404 (DIN EN 10088)
- housing flange, mating flange DN 25 - 100	1.4301 / 1.4404(DIN EN 10088)
1" - 4"	1.4404 (DIN EN 10088)
- SV seal, flange seal standard:	EPDM
option:	HNBR, VMQ, FPM
- bearing bush	polyamide PA 12
- handle	polyamide PA 6.6
Actuator	
- yoke, actuator	1.4301(DIN EN 10088)
- coupling	1.4308 (DIN EN 10088)
- indicator	PE - hard
- piston	polyacetal POM
- spindle bearing	polyamide PA 12
- air connection	polyamide PA 6.6

11. Maintenance

Scan for SV1/SVS1F Valve
Maintenance Video



- The maintenance intervals depend on the application of the valve and should be determined by the operator carrying out **regular checks** of the valve.
- There are a few wear parts on butterfly valves, principally the SV seal and bearings.
- It is recommended that spare seals and bearings are kept by the user.
Complete seal kits for the valve service are available (see spare parts lists).
- If damaged seals are replaced, generally all seals and bearings should be changed.
- Dismantling and installation of seals according to Service Instructions.
- All seals must be slightly greased before their installation.
Grease SV seal according to fig.
- especially **in** the cross bores.
- Assembly of valve and change of valve design **NC** or **NO** by installation of the turning actuator according to Service Instructions.
- The inner parts of the actuator are maintenance free.

Attention! Use food-grade special grease being suited for the respective seal material, only.

Recommendation:

APV assembly grease for **EPDM, FPM, HNBR and NBR**
 (0,75 kg /can - ref. No. 000 70-01-019/93; H147382)
 (60 g /tube - ref. No. 000 70-01-018/93; H147381)
 or
 APV assembly grease for **VMQ**
 (0,6 kg /can - ref. No. 000 70-01-017/93; H147380)
 (60 g /tube - ref. No. 000 70-01-016/93; H147379)

!!! **Do not** use grease containing **mineral oil** for **EPDM** seals !!!

!!! **Do not** use **Silicone-based** grease for **VMQ** seals !!!

Less suited grease types can influence the function and life time.

12. Service Instructions

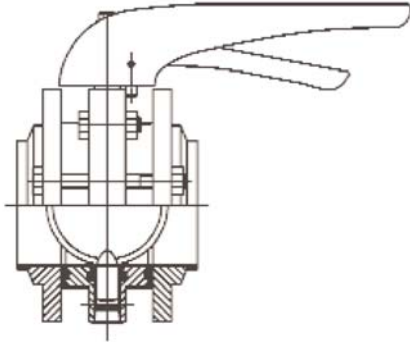
12.1. Dismantling from the line system



Danger!

1. Shut off connecting lines, let down line pressure and drain pipeline if possible.
2. Disconnect electric and pneumatic connections.
3. Release clamp connection at support of proximity switches. Pull off proximity switch.
4. Remove the flange screws.
5. Take butterfly valve out of the flanges.

Attention! Disassembly from the line system in closed valve state, only!



12.2. Dismantling of the actuating device

The item numbers refer to the spare parts drawings.

- **Manual actuation with limit switch:**
Screw off fastening screw (14) at the handle (12) and lift off handle.
- **Manual actuation with adjusting device:**
Screw off fastening screw at handle. Release both fastening screws of the scale sheet, lift off handle with indicator and scale.
- **Pneumatic actuator:**
Remove the two fastening screws (10) at the yoke (12), lift off actuator (17) with yoke to the top. Lift off coupling (16) and position indicator (15).

Attention! If valve position indicators are installed, see to the position of the operating cam (see 12.6. and 12.7.).

- **Actuator with control unit:**
Dismantling of actuator from yoke as described in item **Actuator**. The control unit needs not be removed from the actuator.

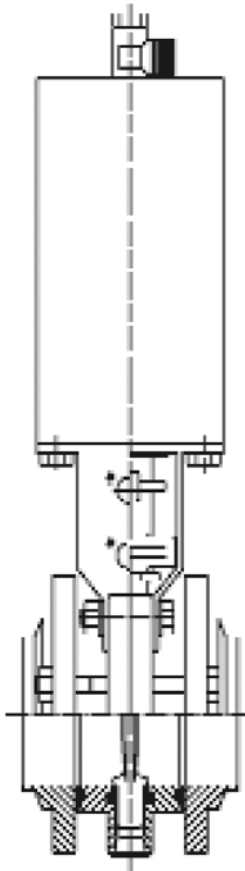
12.3. Dismantling of the inner parts

Valve core

- Remove all flange passage screws (9) at the circumferences of the valve housing and pull off the valve core.

Sealing ring, bearings, valve disc

- Remove all fastening screws around the valve housing and part the housing halves (5, 6).
- Pull off the inner parts.



12. Service Instructions

12.4. Replacement of seals

1. Lift the flange seals (4) out of the groove and replace them. Remove the fastening screws (10) of the valve core and part the housing halves (5, 6).
2. Turn the disc (8) in the seal ring (7) into open position.
3. Remove the bearing bushes (2).
4. By slight pressing, the seal ring (7) is deformed in its longitudinal axis, and, thus, can be pulled off via the short bearing spindle.
5. Pull the seal ring (7) off the actuating spindle.
6. Clean the valve disc (8).
7. Grease the holes of the new seal ring according to chapter 9 and insert the long actuating spindle of the valve disc (8).
8. Turn the disc (8) in the seal ring (7) into open position.
9. With hand pressure the seal ring is deformed in its longitudinal axis, and, thus, can be pushed on via the short bearing spindle.

fig. 1

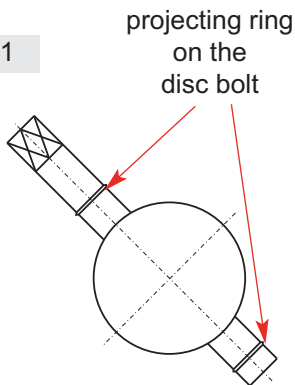


fig. 2

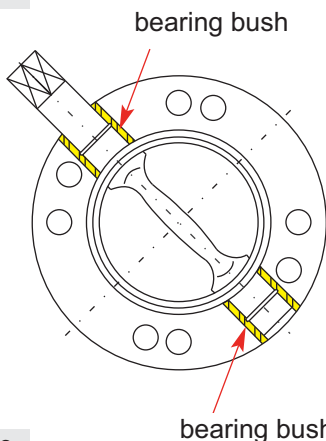
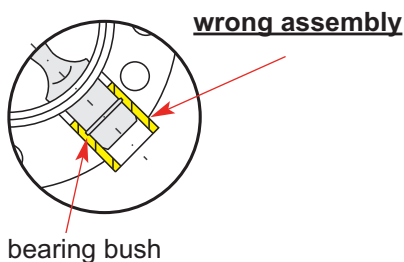


fig. 3



12.5. Installation of inner parts

The current design of the valve disc has a projected ring on the disc bolt (fig. 1). The new valve disc can also be installed in old housings.

1. Place bearings (2) on the spindle of the disc. The bearing bushes must be flush with the housing flange (fig. 2).
2. Insert the disc (8) in open position with seal ring (7) and bearing bushes (2) into one housing half (5,6).
3. Assemble the housing halves (5,6) with the screws (6) alternately crosswise. During the assembly of the housing halves, the projecting ring presses into the plastic surface of the bearing bush and secures the bearing bush against longitudinal movement.

Attention! Tightening of the screws (10), the valve disc (8) must be in **open** position. Damage of valve disc seal during assembly in **closed** position is possible.

Bearings must not project the housing flange (fig. 3).

12. Service Instructions

12.6. Installation of the actuating device

1. Observe the steps mentioned in **12.1** in reverse order.
2. With manual butterfly valves, the disc **(8)** and the handle **(12)** are in a line.
3. Attach the position indicator **(15)** to align with the valve disc onto the square of the actuating spindle of the disc **(8)**.
4. Observe the design of the valve for the installation of the coupling **(16)** on butterfly valves with feedback:

NC = normally closed

Valve disc **(8)** is closed, place coupling **(16)**.

The upper operating cam must be adjusted to the **upper** yoke bore.

NO = normally open

Valve disc **(8)** is open, place coupling **(16)**.

The lower operating cam must be adjusted to the **lower** yoke bore.

5. Place actuator **(17)** with yoke and fasten them with the screws **(10)**.

12.7. Installation of feedback units (proximity switches)

- Valve position indication **OPEN**:
Installation of the feedback unit in the **lower** yoke bore.
- Valve position indication **CLOSED**:
Installation of the feedback unit in the **upper** yoke bore.
- Insert proximity switch support into the yoke bore and fasten it.
Introduce the proximity switch into the support until it stops and fix it by the clamp connection.

13. Spare Parts Lists

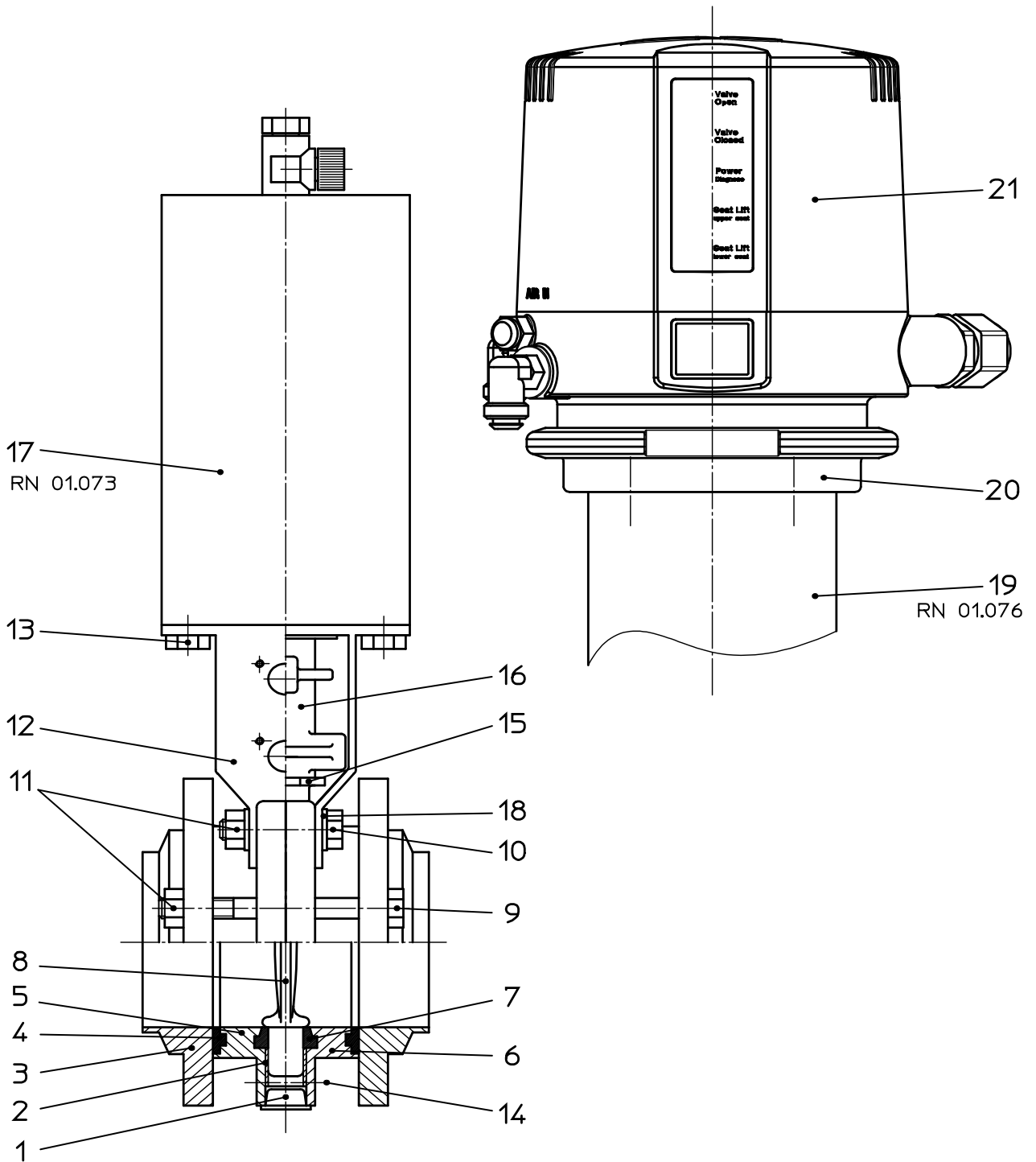
The reference numbers of the spare parts for the different valve designs and sizes are included in the attached spare parts drawings with corresponding lists.

Please indicate the following data to place an order for spare parts:

- number of parts required
- reference number
- designation.

subject to change

Weitergabe sowie Vervielfältigung dieser Unterlage, Verwertung und Mitteilung ihres Inhalts nicht gestattet, soweit nicht schriftlich zugestanden. Verstößt verpflichtet zum Schadensersatz und kann strafrechtliche Folgen haben (Paragraph 18 UWG, Paragraph 106 UrhG). Eigentum und alle Rechte, auch für Patenterteilung und Gebrauchsmustereintragung, vorbehalten. SPX FLOW, Germany



Datum:	29.01.14	30.10.14	06.07.16							
Name:	Trytko	Trytko	Trytko							
Geprüft:										

Ersatzteilliste: spare parts list

Scheibenventil SVS1F-FZ-CU
Butterfly valve SVS1F-A-CU
DN25-100 1-4 inch 1+2S



SPX FLOW
Germany

Blatt 1 von 7

RN01.038.004

Weitergabe sowie Vervielfältigung dieser Unterlage, Verwertung und Mitteilung ihres Inhalts nicht gestattet, soweit nicht schriftlich zugestanden. Verstoß verpflichtet zum Schadensersatz und kann strafrechtliche Folgen haben (Paragraf 18 UWG, Paragraf 106 UrhG). Eigentum und alle Rechte, auch für Patenterteilung und Gebrauchsmustererteilung, vorbehalten. SPX FLOW, Germany

Ersatzteilliste: spare parts list

Scheibenventil SVS1F-FZ-CU DN25-100 1-4 Zoll 12S
Butterfly valve SVS1F-A-CU DN25-100 1-4 inch 12S

Datum:	29.01.14	30.10.14	06.07.16
Name:	Trytko	Trytko	Trytko
Geprüft:			
Datum:			
Name:			
Geprüft:			

Blatt 2 von 7			
RN01.038.004			



pos. item	Menge quantity	Beschreibung description	Material	DN25	1"	1,5"	DN50	2"
				WS-Nr. ref.-no.	WS-Nr. ref.-no.	WS-Nr. ref.-no.	WS-Nr. ref.-no.	
1	1	Verschlussstopfen Lock plug	Kunststoff					
2	2	Lagerbuchse Bearing	PA12 30%GF					
3	2	Flansch FG1	1.4404	09-51-277/42 H18722	09-51-308/42 H18731	09-51-408/42 H18750	09-51-427/42 H18761	09-51-458/42 H18767
	2	Flansch FG1	1.4301	09-51-277/12 H18720	09-51-308/12	19-51-408/12	09-51-427/12 H18758	09-51-458/12
4	2	Dichtung FGN1	EPDM	58-32-277/93 H77280	58-32-305/93 H77284	58-32-405/93 H77296	58-32-427/93 H77303	58-32-455/93 H77307
	2	Seal FGN1	FPM	58-32-277/73 H77279	58-32-305/73 H77283	58-32-405/73 H77295	58-32-427/73 H77302	58-32-455/73 H77306
5	2	Dichtung FGN1	HNBR	58-32-277/33 H172130	58-32-305/33 H172140	58-32-405/33 H172141	58-32-427/33 H172132	58-32-455/33 H172142
	2	Seal FGN1	VMQ	58-32-277/13 H77278	58-32-305/13 H77282	58-32-405/13 H77294	58-32-427/13 H77301	58-32-455/13 H77305
6		Gehäusehälfte I Housing half I	1.4404	09-94-284/42 2x H23553	09-94-316/42 2x H23558	09-94-416/42 1x H23576	09-94-434/42 1x H23592	09-94-466/42 1x H23599
		Gehäusehälfte II Housing half II	1.4301	09-94-284/12 2x H23552	09-94-316/12 2x	09-94-416/12 1x	09-94-434/12 1x H23591	09-94-466/12 1x
7	1	Dichtung SV Seal SV	EPDM	58-33-278/93 H77435	58-33-325/93 H77451	58-33-425/93 H77477	58-33-428/93 H77484	58-33-475/93 H77502
	1	Dichtung SV Seal SV	FPM	58-33-278/73 H77433	58-33-325/73 H77450	58-33-425/73 H77475	58-33-428/73 H77482	58-33-475/73 H77500
8	1	Dichtung SV Seal SV	HNBR	58-33-278/33 H168744	58-33-325/33 H168263	58-33-425/33 H168930	58-33-428/33 H168826	58-33-475/33 H169234
	1	Dichtung SV Seal SV	VMQ	58-33-278/13 H77432	58-33-325/13 H77449	58-33-425/13 H77474	58-33-428/13 H77481	58-33-475/13 H77499

Weitergabe sowie Vervielfältigung dieser Unterlage, Verwertung und Mitteilung ihres Inhalts nicht gestattet, soweit nicht schriftlich zugestanden. Verstoß verpflichtet zum Schadensersatz und kann strafrechtliche Folgen haben (Paragraf 18 UWG, Paragraf 106 UrhG). Eigentum und alle Rechte, auch für Patenterteilung und Gebrauchsmustererteilung, vorbehalten. SPX FLOW, Germany

Ersatzteilliste: spare parts list

Scheibenventil SVS1F-FZ-CU
Butterfly valve SVS1F-A-CU
DN25-100 1-4 inch 1+2S

Datum:	29.01.14	30.10.14	06.07.16
Name:	Trytko	Trytko	Trytko
Geprüft:			
Datum:			
Name:			
Geprüft:			



Blatt 3 von 7

RN01.038.004

pos.	Menge quantity	Beschreibung description	Material	DN25	1"	DN40	1,5"	DN50	2"
item			material	WS-Nr. ref.-no.	WS-Nr. ref.-no.	WS-Nr. ref.-no.	WS-Nr. ref.-no.	WS-Nr. ref.-no.	WS-Nr. ref.-no.
8	1	Klappe Disc	1.4404	08-55-276/43 H16037	08-55-318/43 H114442	08-55-376/43 H16047	08-55-418/43 H114440	08-55-426/43 H16059	08-55-468/43 H114977
9		Skt. Schraube Hex. Screw	1.4301	65-01-093/15 2xM8x80 H78789			65-01-093/15 4xM8x80 H78789		
10	2	Skt. Schraube Hex. Screw	1.4301			65-01-095/15 M8x35 H78791			
11		Skt. Mutter Hex. Nut	1.4301	65-50-060/15 6xM8 H79281			65-50-060/15 8xM8 H79281		
12	1	Latene Yoke	1.4301	15-40-030/17 H173105			15-40-816/17 H170929		
13	2	Skt. Schraube Hex. Screw	1.4301			65-01-080/15 M8x12 H78770			
14	2	Skt. Schraube Hex. Screw	1.4301			67-01-085/15 M8x28 H78778			
15	1	Zeiger Position indicator	PE-HART			08-29-021/93 H14634			
16	1	Kupplungsstück Coupling	1.4308			08-52-050/13 H15865			
17	1	Drehantrieb F/L Actuator spring/air	1.4301			15-31-055/17 H315054			
	1	Drehantrieb L/L Actuator double/air	1.4301			15-31-065/17 H333445			
18	4	Scheibe Disk	1.4301			67-01-022/15 H79594			
19	1	Drehantrieb F/L für RME Actuator s/a for control-unit	1.4301			15-37-070/17 H315055			
20	1	CU4-T-Adapter CU4-T-Adapter	PA6.6 GF30 schwarz			08-48-601/93 H320475			
21	1	Control-Unit CU Control-Unit CU	PA6.6 GF30 schwarz			siehe Betriebsanleitung CU see manual CU			

Weitergabe sowie Vervielfältigung dieser Unterlage, Verwertung und Mitteilung ihres Inhalts nicht gestattet, soweit nicht schriftlich zugestanden. Verstoß verpflichtet zum Schadensersatz und kann strafrechtliche Folgen haben (Paragraf 18 UWG, Paragraf 106 UrhG). Eigentum und alle Rechte, auch für Patenterteilung und Gebrauchsmustererteilung, vorbehalten. SPX FLOW, Germany

Ersatzteilliste: spare parts list

Scheibenventil SVS1F-FZ-CU
Butterfly valve SVS1F-A-CU
DN25-100 1-4 inch 1+2S

Datum:	29.01.14	30.10.14	06.07.16
Name:	Trytko	Trytko	Trytko
Geprüft:			
Datum:			
Name:			
Geprüft:			

		Blatt		4		von		7	

pos. item	Menge quantity	Beschreibung description	Material	DN25	1"	DN40	1,5"	DN50	2"
				WS-Nr. ref.-no.	WS-Nr. ref.-no.	WS-Nr. ref.-no.	WS-Nr. ref.-no.	WS-Nr. ref.-no.	

Pos. 1, 2, 4, 7 nur im kompletten Dichtungssatz erhältlich									
Item 1, 2, 4, 7 available as complete seal kits only									
1		Dichtungssatz Seal kit	FPM	58-34-550/00 H205771	58-34-556/00 H205777	58-34-551/00 H205772	58-34-557/00 H205778	58-34-552/00 H205773	58-34-558/00 H205779
1		Dichtungssatz Seal kit	EPDM	58-34-550/01 H205747	58-34-556/01 H205753	58-34-551/01 H205748	58-34-557/01 H205754	58-34-552/01 H205749	58-34-558/01 H205755
1		Dichtungssatz Seal kit	VMQ	58-34-550/02 H205783	58-34-556/02 H205789	58-34-551/02 H205784	58-34-557/02 H205790	58-34-552/02 H205785	58-34-558/02 H205791
1		Dichtungssatz Seal kit	HNBR	58-34-550/06 H205759	58-34-556/06 H205765	58-34-551/06 H205760	58-34-557/06 H205766	58-34-552/06 H205761	58-34-558/06 H205767



RN01.038.004

Ersatzteilliste: spare parts list

Scheibenventil SVS1F-FZ-CU DN25-100 1-4 Zoll 12S
Butterfly valve SVS1F-A-CU DN25-100 1-4 inch 12S

Datum:	29.01.14	30.10.14	06.07.16
Name:	Trytko	Trytko	Trytko
Geprüft:			
Datum:			
Name:			
Geprüft:			
Blatt 5 von 7			
RN01.038.004			

Datum:		29.01.14	30.10.14	06.07.16
Name:		Trytko	Trytko	Trytko
Geprüft:				
Datum:				
Name:				
Geprüft:				
Blatt 5 von 7				
RN01.038.004				

pos. item	Menge quantity	Beschreibung description	Material	DN65	2.5"	3"	DN80	DN100	4"
				WS-Nr. ref.-no.	WS-Nr. ref.-no.	WS-Nr. ref.-no.	WS-Nr. ref.-no.	WS-Nr. ref.-no.	
1	1	Verschlussstopfen Lock plug	Kunststoff	08-74-010/93 H16503					
2	2	Lagerbuchse Bearing	PA12 30%GF	08-01-150/93 H13832					
3	2	Flansch FG1	1.4404	09-51-508/42 H18790	09-51-552/42 H18809	09-51-527/42 H18801	09-51-627/42 H18824	09-51-658/42 H18830	
	2	Flansch FG1	1.4301 matt/satin fin.	09-51-477/12 H18779	09-51-508/12	19-51-527/12 H18798	09-51-627/12 H18821	09-51-658/12	
4	2	Dichtung FGN1	EPDM	58-32-477/93 H77314	58-32-505/93 H77318	58-32-527/93 H77325	58-32-627/93 H77339	58-32-655/93 H77343	
	2	Seal FGN1	FPM	58-32-477/73 H77313	58-32-505/73 H77317	58-32-527/73 H77324	58-32-627/73 H77338	58-32-655/73 H77342	
5	2	Dichtung FGN1	HNBR	58-32-477/33 H172133	58-32-505/33 H172143	58-32-527/33 H172144	58-32-627/33 H172135	58-32-655/33 H172145	
	2	Seal FGN1	VMQ	58-32-477/13 H77312	58-32-505/13 H77316	58-32-527/13 H77330	58-32-627/13 H77337	58-32-655/13 H77341	
6	1	Gehäusehälfte I Housing half I	1.4404	09-94-484/42 1x H23619	09-94-516/42 1x H23626	09-94-534/42 2x H23644	09-94-634/42 2x H23669	09-94-666/42 2x H23672	
	1	Gehäusehälfte II Housing half II	1.4301 matt/satin fin.	09-94-484/12 1x H23618	09-94-516/12 1x	09-94-534/12 2x H23643	09-94-634/12 2x H23668	09-94-666/12 2x	
7	1	Dichtung SV Seal SV	EPDM	58-33-478/93 H77509	58-33-525/93 H77532	58-33-503/93 H77528	58-33-628/93 H77579	58-33-675/93 H77601	
	1	Dichtung SV Seal SV	FPM	58-33-478/73 H77507	58-33-525/73 H77530	58-33-503/73 H77526	58-33-628/73 H77577	58-33-675/73 H77599	
8	1	Dichtung SV Seal SV	HNBR	58-33-478/33 H168827	58-33-525/33 H169235	58-33-503/33 H169236	58-33-628/33 H166721	58-33-675/33 H166722	
	1	Dichtung SV Seal SV	VMQ	58-33-478/13 H77506	58-33-525/13 H77529	58-33-503/13 H77525	58-33-628/13 H77576	58-33-675/13 H77598	



Weitergabe sowie Vervielfältigung dieser Unterlage, Verwertung und Mitteilung ihres Inhalts nicht gestattet, soweit nicht schriftlich zugestanden. Verstöß verpflichtet zum Schadensersatz und kann strafrechtliche Folgen haben (Paragraf 18 UWG, Paragraf 106 UrhG). Eigentum und alle Rechte, auch für Patenterteilung und Gebrauchsmustererteilung, vorbehalten. SPX FLOW, Germany

Ersatzteilliste: spare parts list

Scheibenventil SVS1F-FZ-CU
Butterfly valve SVS1F-A-CU
DN25-100 1-4 inch 1+2S

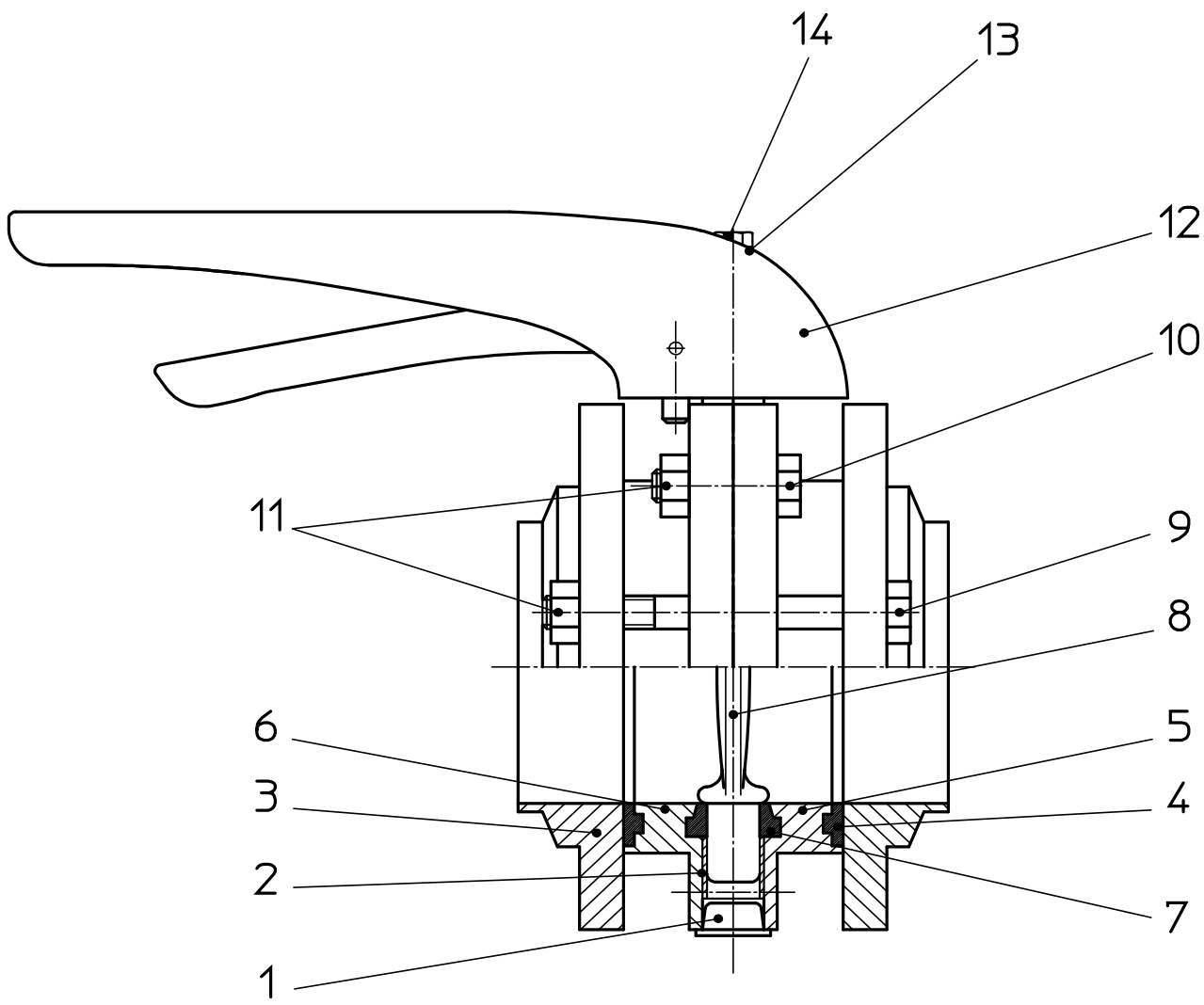
Datum:	29.01.14	30.10.14	06.07.16
Name:	Trytko	Trytko	Trytko
Geprüft:			
Datum:			
Name:			
Geprüft:			

		Blatt 6 von 7	
		RN01.038.004	



pos.	item	Menge	Beschreibung	Material	DN65	2,5"	3"	DN80	DN100	4"
			description	material	WS-Nr. ref.-no.	WS-Nr. ref.-no.	WS-Nr. ref.-no.	WS-Nr. ref.-no.	WS-Nr. ref.-no.	WS-Nr. ref.-no.
8	Klappe Disc	1		1.4404	08-55-476/43 H16071	08-55-518/43 H114978	08-55-527/43 H16090	08-55-526/43 H16082	08-55-626/43 H16102	08-55-668/43 H114979
9	Skt. Schraube Hex. Screw	1	DIN EN 24014-A2-70	1.4301	65-01-093/15 4xM8x80 H78789				65-01-093/15 6xM8x80 H78789	
10	Skt. Schraube Hex. Screw	2	DIN EN 24017-A2-70	1.4301			65-01-095/15 M8x35 H78791			
11	Skt. Mutter Hex. Nut	1	DIN EN 24032-A2	1.4301	65-50-060/15 8xM8 H79281			65-50-060/15 10xM8 H79281		
12	Laterne Yoke	1		1.4301			15-40-025/17 H173103			
13	Skt. Schraube Hex. Screw	2	DIN EN 24017-A2-70	1.4301			65-01-080/15 M8x12 H78770			
14	Skt. Schraube Hex. Screw	2	DIN EN 24017-A2-70	1.4301			67-01-085/15 M8x28 H78778			
15	Zeiger Position indicator	1		PE-HART			08-29-021/93 H14634			
16	Kupplungsstück Coupling	1		1.4308			08-52-050/13 H15865			
17	Drehantrieb F/L Actuator spring/air	1	in Einzelverpackung / with individual packaging	1.4301			15-31-055/17 H315054			
	Drehantrieb L/L Actuator double/air	1	in Einzelverpackung / with individual packaging	1.4301			15-31-065/17 H333445			
18	Scheibe Disk	4	DIN 125 A=8,4	1.4301			67-01-022/15 H79594			
19	Drehantrieb F/L für RME Actuator s/a for control-unit	1	in Einzelverpackung / with individual packaging	1.4301			15-37-070/17 H315055			
20	CU4-T-Adapter CU4-T-Adapter	1		PA6.6 GF30 schwarz			08-48-601/93 H320475			
21	Control-Unit CU Control-Unit CU	1		PA6.6 GF30 schwarz			siehe Betriebsanleitung CU see manual CU			


Weitergabe sowie Vervielfältigung dieser Unterlage, Verwertung und Mitteilung ihres Inhalts nicht gestattet, soweit nicht schriftlich zugestanden. Verstößt verpflichtet zum Schadensersatz und kann strafrechtliche Folgen haben (Paragraph 18 UWG, Paragraph 106 UrhG). Eigentum und alle Rechte, auch für Patenterteilung und Gebrauchsmustereintragung, vorbehalten. SPX FLOW, Germany



Datum:	31.01.14	06.07.16																
Name:	Trytko	Trytko																
Geprüft:																		

Ersatzteilliste: spare parts list

Scheibenventil SVS1F -Handbetätigung
Butterfly valve SVS1F-handle
DN25-100 ; 1-4 inch 1+2S



SPX FLOW
Germany

Blatt 1 von 5


RN01.038.000-2

Weitergabe sowie Vervielfältigung dieser Unterlage, Verwertung und Mitteilung ihres Inhalts nicht gestattet, soweit nicht schriftlich zugestanden. Verstoß verpflichtet zum Schadensersatz und kann strafrechtliche Folgen haben (Paragraf 18 UWG, Paragraf 106 UrhG). Eigentum und alle Rechte, auch für Patenterteilung und Gebrauchsmustererteilung, vorbehalten. SPX FLOW, Germany

Ersatzteilliste: spare parts list

Scheibenventil SVS1F-Handbetätigung
Butterfly valve SVS1F-handle
DN25-100 ; 1-4 inch 1+2S

Datum:	31.01.14	06.07.16
Name:	Trytko	Trytko
Geprüft:		
Datum:		
Name:		
Geprüft:		
Blatt 2 von 5		
RN01.038.000-2		

	
---	--

pos. item	Menge quantity	Beschreibung description	Material	DN25	1"	1,5"	DN50	2"
				WS-Nr. ref.-no.	WS-Nr. ref.-no.	WS-Nr. ref.-no.	WS-Nr. ref.-no.	
1	1	Verschlussstopfen Lock plug	Kunststoff					
2	2	Lagerbuchse Bearing	PA12 30%GF					
3	2	Flansch FG1	1.4404	09-51-277/42 H18722	09-51-308/42 H18731	09-51-408/42 H18750	09-51-427/42 H18761	09-51-458/42 H18767
	2	Flansch FG1	1.4301 matt/satin fin.	09-51-277/12 H18720	09-51-308/12	19-51-408/12	09-51-427/12 H18758	09-51-458/12
4	2	Dichtung FGN1	EPDM	58-32-277/93 H77280	58-32-305/93 H77284	58-32-405/93 H77296	58-32-427/93 H77303	58-32-455/93 H77307
	2	Seal FGN1	FDA-konform					
	2	Dichtung FGN1	FPM	58-32-277/73 H77279	58-32-305/73 H77283	58-32-405/73 H77295	58-32-427/73 H77302	58-32-455/73 H77306
	2	Seal FGN1	FDA-konform					
5	2	Dichtung FGN1	HNBR	58-32-277/33 H172130	58-32-305/33 H172140	58-32-405/33 H172141	58-32-427/33 H172132	58-32-455/33 H172142
	2	Seal FGN1	FDA-konform					
	2	Dichtung FGN1	VMQ	58-32-277/13 H77278	58-32-305/13 H77282	58-32-405/13 H77294	58-32-427/13 H77301	58-32-455/13 H77305
	2	Seal FGN1	FDA-konform					
6	1	Gehäusehälfte I Housing half I	1.4404 matt/satin fin.	09-94-284/42 2x H23553	09-94-316/42 2x H23558	09-94-416/42 1x H23576	09-94-434/42 1x H23592	09-94-466/42 1x H23599
	1	Gehäusehälfte II Housing half II	1.4301 matt/satin fin.	09-94-284/12 2x H23552	09-94-316/12 2x	09-94-416/12 1x	09-94-434/12 1x H23591	09-94-466/12 1x
7	1	Gehäusehälfte II Housing half II	1.4404 matt/satin fin.			09-94-417/42 1x H23578	09-94-435/42 1x H23594	09-94-467/42 1x H23601
	1	Gehäusehälfte II Housing half II	1.4301 matt/satin fin.			09-94-385/12 1x H23565	09-94-435/12 1x H23593	09-94-467/12 1x
7	1	Dichtung SV Seal SV	EPDM	58-33-278/93 H77435	58-33-325/93 H77451	58-33-425/93 H77477	58-33-428/93 H77484	58-33-475/93 H77502
	1	Dichtung SV Seal SV	FPM	58-33-278/73 H77433	58-33-325/73 H77450	58-33-425/73 H77475	58-33-428/73 H77482	58-33-475/73 H77500
	1	Dichtung SV Seal SV	HNBR	58-33-278/33 H168744	58-33-325/33 H168263	58-33-425/33 H168930	58-33-428/33 H168826	58-33-475/33 H168234
	1	Dichtung SV Seal SV	VMQ	58-33-278/13 H77432	58-33-325/13 H77449	58-33-425/13 H77474	58-33-428/13 H77481	58-33-475/13 H77499

Ersatzteilliste: spare parts list

Scheibenventil SVS1F-Handbetätigung
Butterfly valve SVS1F-handle
DN25-100 ; 1-4 inch 1+2S


pos. item	Menge quantity	Beschreibung description	Material	DN65	2.5"	3"	DN80	DN100	4"	Datum:		Blatt	
										WS-Nr. ref.-no.	WS-Nr. ref.-no.	WS-Nr. ref.-no.	WS-Nr. ref.-no.
1	1	Verschlussstopfen Lock plug	Kunststoff		08-74-010/93 H16503								
2	2	Lagerbuchse Bearing	PA12 30%GF		08-01-150/93 H13832								
3	2	Flansch FG1	1.4404	09-51-477/42 H18782	09-51-508/42 H18790	09-51-552/42 H18809	09-51-527/42 H18801	09-51-627/42 H18824	09-51-658/42 H18830				
	2	Flansch FG1	1.4301 matt/satin fin.	09-51-477/12 H18779	09-51-508/12	09-51-552/12	19-51-527/12 H18798	09-51-627/12 H18821	09-51-658/12				
4	2	Dichtung FGN1	EPDM	58-32-477/93 H77314	58-32-505/93 H77318	58-32-555/93 H77332	58-32-527/93 H77325	58-32-627/93 H77339	58-32-655/93 H77343				
	2	Seal FGN1	FPM	58-32-477/73 H77313	58-32-505/73 H77317	58-32-555/73 H77331	58-32-527/73 H77324	58-32-627/73 H77338	58-32-655/73 H77342				
5	2	Dichtung FGN1	HNBR	58-32-477/33 H172133	58-32-505/33 H172143	58-32-555/33 H172144	58-32-527/33 H172134	58-32-627/33 H172135	58-32-655/33 H172145				
	2	Seal FGN1	VMQ	58-32-477/13 H77312	58-32-505/13 H77316	58-32-555/13 H77330	58-32-527/13 H77323	58-32-627/13 H77337	58-32-655/13 H77341				
6	1	Gehäusehälfte I Housing half I	1.4404 matt/satin fin.	09-94-484/42 1x H23619	09-94-516/42 1x H23626	09-94-566/42 1x H23649	09-94-534/42 2x H23644	09-94-634/42 2x H23669	09-94-666/42 2x H23672				
	1	Gehäusehälfte I Housing half I	1.4301 matt/satin fin.	09-94-484/12 1x H23618	09-94-516/12 1x	09-94-566/12 1x	09-94-534/12 2x H23643	09-94-634/12 2x H23668	09-94-666/12 2x				
7	1	Gehäusehälfte II Housing half II	1.4404 matt/satin fin.	09-94-485/42 1x H23621	09-94-517/42 2x H23628	09-94-567/42 1x H23651	09-94-534/42 1x						
	1	Gehäusehälfte II Housing half II	1.4301 matt/satin fin.	09-94-485/12 1x H23620	09-94-517/12 1x	09-94-567/12 1x							
7	1	Dichtung SV Seal SV	EPDM	58-33-478/93 H77509	58-33-525/93 H77532	58-33-503/93 H77528	58-33-528/93 H77539	58-33-628/93 H77579	58-33-675/93 H77601				
	1	Dichtung SV Seal SV	FPM	58-33-478/73 H77507	58-33-525/73 H77530	58-33-503/73 H77526	58-33-528/73 H77537	58-33-628/73 H77577	58-33-675/73 H77599				
7	1	Dichtung SV Seal SV	HNBR	58-33-478/33 H168827	58-33-525/33 H169235	58-33-503/33 H169236	58-33-528/33 H168832	58-33-628/33 H166721	58-33-675/33 H166722				
	1	Dichtung SV Seal SV	VMQ	58-33-478/13 H77506	58-33-525/13 H77529	58-33-503/13 H77525	58-33-528/13 H77536	58-33-628/13 H77576	58-33-675/13 H77598				



Ersatzteilliste: spare parts list

Scheibenventil SVS1F-Handbetätigung
Butterfly valve SVS1F-handle
DN25-100 ; 1-4 inch 1+2S

Datum:	31.01.14	06.07.16
Name:	Trytko	Trytko
Geprüft:		
Datum:		
Name:		
Geprüft:		
Blatt 5 von 5		
RN01.038.000-2		

	
---	--

pos. item	Menge quantity	Beschreibung description	Material	DN65	2.5"	3"	DN80	DN100	4"
				WS-Nr. ref.-no.	WS-Nr. ref.-no.	WS-Nr. ref.-no.	WS-Nr. ref.-no.	WS-Nr. ref.-no.	WS-Nr. ref.-no.
8	1	Klappe Disc	1.4404	08-55-476/43 H16071	08-55-518/43 H114978	08-55-527/43 H16090	08-55-526/43 H16082	08-55-626/43 H16102	08-55-668/43 H114979
9		Skt. Schraube Hex. Screw	1.4301	65-01-093/15 4xM8x80 H78789			65-01-093/15	6xM8x80 H78789	
10		Skt. Schraube Hex. Screw	1.4301				67-01-085/15 4xM8x28 H78778		
11		Skt. Mutter Hex. Nut	1.4301	65-50-060/15 8xM8 H79281			65-50-060/15 10xM8 H79281		
12	1	Handbetätigung Handle	PA6.6 30% GF			08-41-065/93 H15059			
13	1	Sicherungsscheibe M5 Safety disk M5	1.4301			67-01-010/93 H79581			
14	1	Skt. Schraube Hex. Screw	1.4301			65-01-037/15 M5x28 H78740			
Pos. 1, 2, 4, 7 nur im kompletten Dichtungssatz erhältlich Item 1, 2, 4, 7 available as complete seal kits only									
	1	Dichtungssatz Seal kit	FPM	58-34-553/00 H205774	58-34-559/00 H205780	58-34-560/00 H205781	58-34-554/00 H205775	58-34-555/00 H205776	58-34-561/00 H205782
	1	Dichtungssatz Seal kit	EPDM	58-34-553/01 H205750	58-34-559/01 H205756	58-34-560/01 H205757	58-34-554/01 H205751	58-34-555/01 H205752	58-34-561/01 H205758
	1	Dichtungssatz Seal kit	VMQ	58-34-553/02 H205786	58-34-559/02 H205792	58-34-560/02 H205793	58-34-554/02 H205787	58-34-555/02 H205788	58-34-561/02 H205794
	1	Dichtungssatz Seal kit	HNBR	58-34-553/06 H205762	58-34-559/06 H205768	58-34-560/06 H205769	58-34-557/06 H205763	58-34-555/06 H205764	58-34-561/06 H205770

Weitergabe sowie Vervielfältigung dieser Unterlage, Verwertung und Mitteilung ihres Inhalts nicht gestattet, soweit nicht schriftlich zugestanden. Verstöß verpflichtet zum Schadensersatz und kann strafrechtliche Folgen haben (Paragraph 18 UWG, Paragraph 106 UrhG). Eigentum und alle Rechte, auch für Patenterteilung und Gebrauchsmustereintragung, vorbehalten. SPX FLOW, Germany

Ersatzteilliste: spare parts list

Handbetätigung SV-HL für Ventilstellungsmeldung
Handle for butterfly valves SV-man. yoke for valve position indication
DN25-100; 1-4 Zoll / inch

Datum: 13.02.14

Name: Trytko

Geprüft:

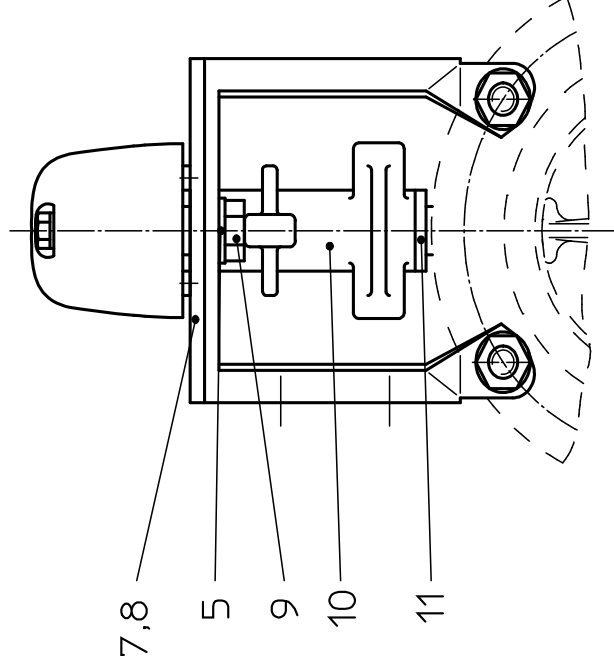
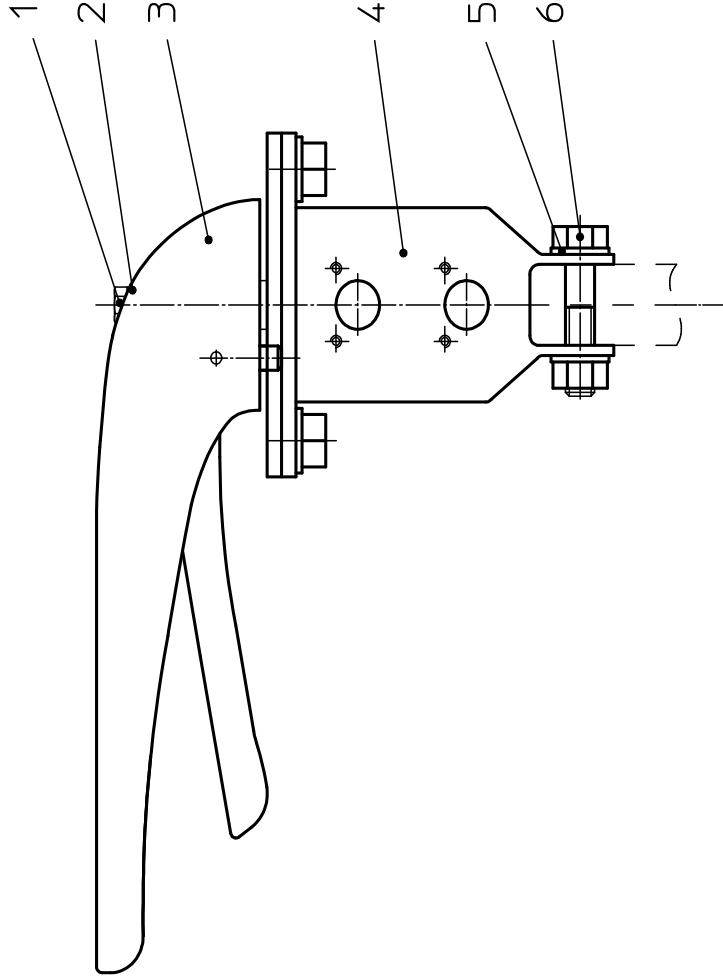
Datum:

Name:

Geprüft:

Blatt 1 von 2

RN01.037.0



Ersatzteilliste: spare parts list

Handbetätigung SV-HL für Ventilstellungsmeldung
Handle for butterfly valves SV-man. yoke for valve position indication
DN25-100; 1-4 Zoll / inch

Datum:	13.02.14						
Name:	Trytko						
Geprüft:							
Datum:							
Name:							
Geprüft:							
							Blatt 2 von 2
							RN01.037.0

		DN65-100 2,5"-4"																		
--	--	---------------------	--	--	--	--	--	--	--	--	--	--	--	--	--	--	--	--	--	--

pos. item	Menge quantity	Beschreibung description	Material	DN25+1"	DN40, 50 1,5", 2"	WS-Nr. ref.-no.	WS-Nr. ref.-no.	WS-Nr. ref.-no.	WS-Nr. ref.-no.	WS-Nr. ref.-no.	WS-Nr. ref.-no.	WS-Nr. ref.-no.	WS-Nr. ref.-no.	WS-Nr. ref.-no.	WS-Nr. ref.-no.	WS-Nr. ref.-no.	WS-Nr. ref.-no.	WS-Nr. ref.-no.	WS-Nr. ref.-no.	WS-Nr. ref.-no.	
	1	Handbetätigung Handle	1.4301	08-41-139/17 H15153	08-41-017/17 H174199	08-41-017/17 H174199	08-41-137/17 H15149														
1	1	Skt. Schraube Hex. screw DIN EN 24014-A2-70	1.4301		65-01-037/15 M5x28 H78740																
2	1	Sicherungsscheibe Safety washer M5	1.4301		64-01-010/93 H79581																
3	1	Handbetätigung Handle	PA6.6 30%GF		08-41-065/93 H15059																
4	1	Laterne Yoke	1.4301	15-40-053/17 H33746	15-40-055/17 H171201	15-40-054/17 H33748															
5	6	Scheibe Washer DIN 125 A8,4	A2		67-01-022/15 H79594																
6	2	Skt. Schraube Hex. screw DIN EN 24017-A2-70	1.4301		65-01-095/17 M8x35 H78791																
7	1	Ronde Round plate SV-H VSM ø85x4	1.4301		08-58-026/17 H153636																
8	1	Cliepsgleitlager Clip slide bearing MCM-12-04	Iglidur		08-01-094/93 H169101																
9	2	Skt. Schraube Hex. screw DIN EN 24014-A2-70	1.4301		65-01-078/15 M8x10 H158966																
10	1	Kupplung SV-H VSM Coupling valve position indication	1.4308		08-52-051/17 H15866																
11	1	Zeiger Position indicator	PE-HART		08-29-021/93 H14634																



Weitergabe sowie Vervielfältigung dieser Unterlage, Verwertung und Mitteilung ihres Inhalts nicht gestattet, soweit nicht schriftlich zugestanden. Verstößt verpflichtend zum Schadensersatz und kann strafrechtliche Folgen haben (Paragraf 18 UWG, Paragraf 106 UrhG). Eigentum und alle Rechte, auch für Patenterteilung und Gebrauchsmustereintragung, vorbehalten. SPX FLOW, Germany

Ersatzteilliste: spare parts list

Drehantrieb K080, K125, K180 F/L
Actuator K080, K125, K180 spring/air

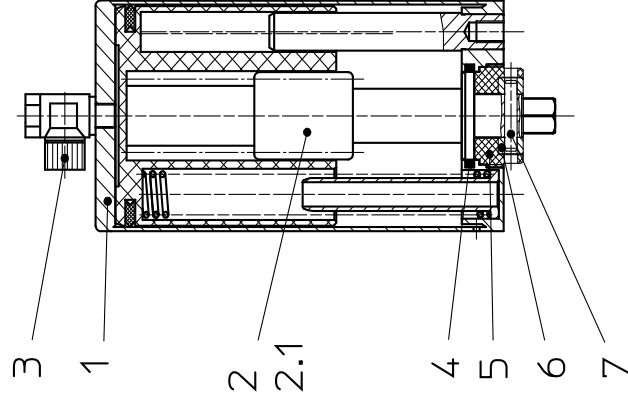
Datum:	22.11.12	12.03.14
Name:	Trytko	Trytko
Geprüft:	Goebel	

Datum:		
Name:		
Geprüft:		

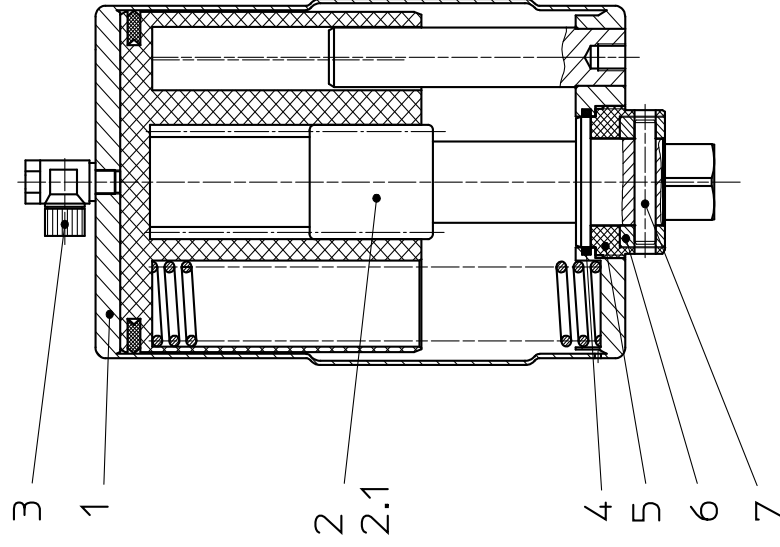
Blatt	1	von	2
RN 01.073			



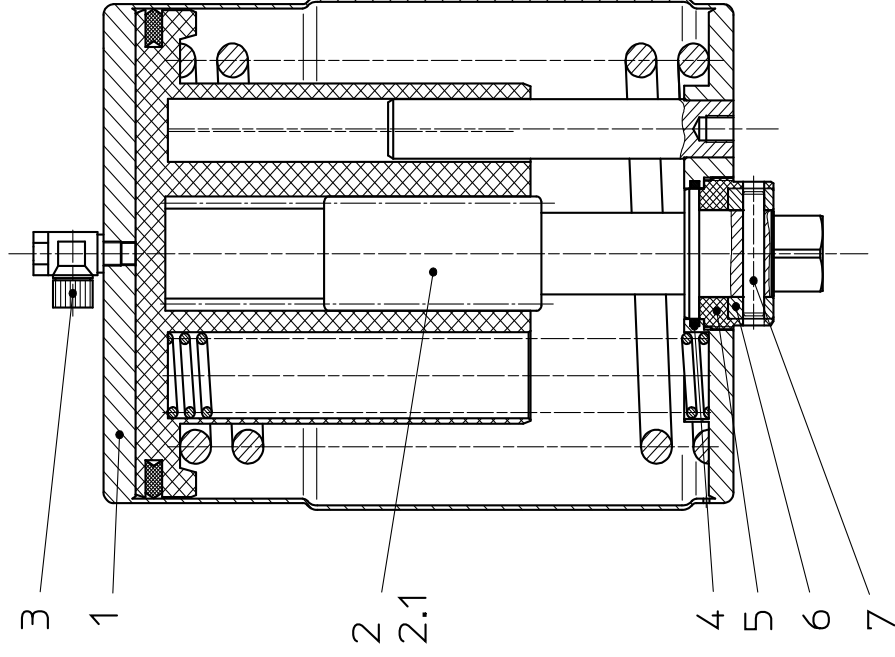
DRAT K080



DRAT K125



DRAT K180



Ersatzteilliste: spare parts list

Drehantrieb K080, K125, K180 F/L
Actuator K080, K125, K180 spring/air

pos. item	Menge quantity	Beschreibung description	Material	K080		K125		K180		12.03.14		Blatt 2	von 2	RN 01.073
				WS-Nr. ref.-no.	WS-Nr. ref.-no.	WS-Nr. ref.-no.	WS-Nr. ref.-no.	WS-Nr. ref.-no.	WS-Nr. ref.-no.	Trytko	Trytko			
1	1	Drehantrieb komplett Actuator complete	1.4301 matt-glänzend	15-31-055/17 H105500	15-31-057/17 H105502	15-31-923/17 H32589								
1	1	Drehantrieb komplett Actuator complete	1.4301 poliert	15-31-055/13 H135919	15-31-057/13 H131940	15-31-923/13 H32588								
1	1	Drehantrieb Schweißteil Actuator welded	1.4301	15-31-054/17 H105499	15-31-056/17 H105501	15-31-922/17 H32587								
2	1	Spindel komplett mit Lager Shaft complete with bearing	1.4301	15-24-021/13 H31494	15-24-031/13 H31502	15-24-033/13 H31504								
2.1	1	Spindel Shaft	1.4301	15-24-020/13 H31493	15-24-030/13 H31501	15-24-032/13 H31503								
3	1	Winkelverschraubung G1/8" schwenkbar Elbow union G1/8" slewable	Polyamid/ Glasf	08-63-221/93 H16371										
4	1	O-Ring	NBR	58-06-130/83 32,2x3 H76965										
	1	O-Ring	FPM			58-06-222/73 49,5x3 H77000								
5	1	Lager für Drehantrieb Bearing for actuator	POM	15-28-002/34 H31673										
	1	Lager für Drehantrieb Bearing for actuator	PA12			15-28-009/63 H31684								
6	1	Stelling Adjust ring	1.4301	67-08-007/13 H79757	67-08-008/13 H79758									
7	1	Zyl. Kerbstift Cyl. pin	1.4305	67-15-035/13 5x26 H79916	67-15-036/13 8x45 H79917									

Weitergabe sowie Vervielfältigung dieser Unterlage, Verwertung und Mitteilung ihres Inhalts nicht gestattet, soweit nicht schriftlich zugestanden. Verstoß verpflichtet zum Schadensersatz und kann strafrechtliche Folgen haben (Paragraf 18 UWG, Paragraf 106 UrtG). Eigentum und alle Rechte, auch für Patenterteilung und Gebrauchsmustererteilung, vorbehalten. SPX FLOW, Germany

Ersatzteilliste: spare parts list

Drehantrieb K080, K125, K180 F/L für Rückmeldeeinheit Actuator K080, K125, K180 spring/air for control unit

Datum:

28.03.13

08.05.14

Name:

Trytko

Trytko

Geprüft:

Datum:

Name:

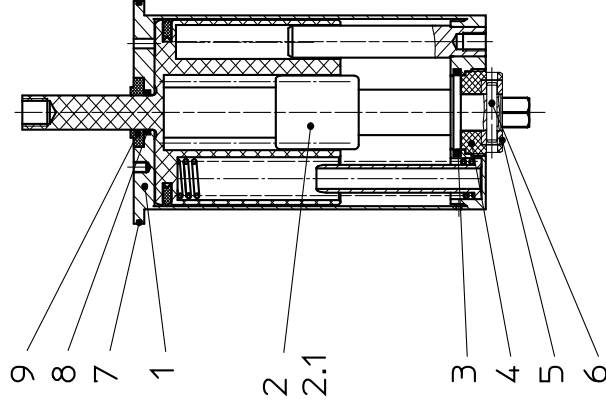
Geprüft:



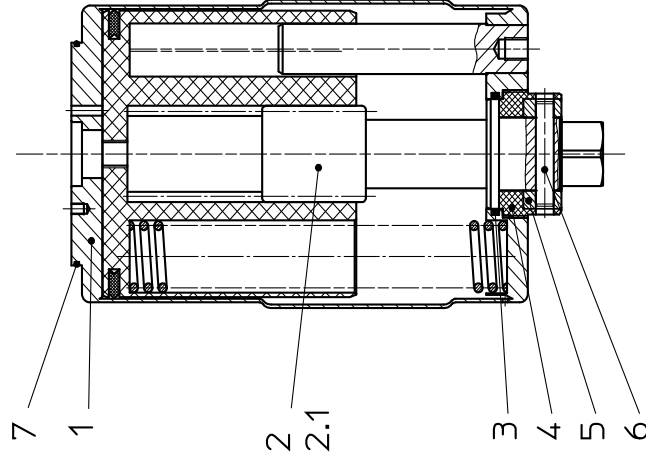
Blatt 1 von 2

RN 01.076

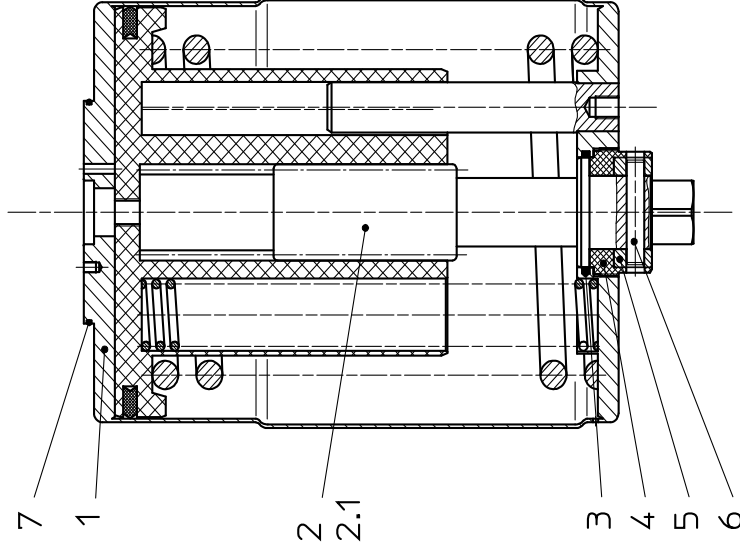
DRAT K080-RM



DRAT K125-RM



DRAT K180-RM



Weitergabe sowie Vervielfältigung dieser Unterlage, Verwertung und Mitteilung ihres Inhalts nicht gestattet, soweit nicht schriftlich zugestanden. Verstoß verpflichtet zum Schadensersatz und kann strafrechtliche Folgen haben (Paragraf 18 UWG, Paragraf 106 UrhG). Eigentum und alle Rechte, auch für Patenterteilung und Gebrauchsmusterteilung, vorbehalten. SPX FLOW, Germany

Ersatzteilliste: spare parts list

Drehantrieb K080, K125, K180 F/L für Rückmeldeeinheit Actuator K080, K125, K180 spring/air for control unit

pos. item	Menge quantity	Beschreibung description	Material	K080		K125		K180		WS-Nr. ref.-no.	WS-Nr. ref.-no.	WS-Nr. ref.-no.	WS-Nr. ref.-no.
				WS-Nr. ref.-no.	WS-Nr. ref.-no.	WS-Nr. ref.-no.	WS-Nr. ref.-no.						
1	1	Drehantrieb komplett Actuator complete	1.4301 matt-glänzend	15-37-070/17 H123937	15-37-106/17 H128942	15-37-103/17 H134034							
1	1	Drehantrieb komplett Actuator complete	1.4301 poliert	15-37-070/13 H316969	15-37-106/13 H327700	15-37-103/13 H328071							
1	1	Drehantrieb Schweißteil Actuator welded	1.4301	15-37-071/17 H123936	15-37-105/17 H128940	15-37-104/17 H134503							
2	1	Spindel komplett mit Lager Shaft complete with bearing	1.4301	15-24-021/13 H31494	15-24-031/13 H31502	15-24-033/13 H31504							
2.1	1	Spindel Shaft	1.4301	15-24-020/13 H31493	15-24-030/13 H31501	15-24-032/13 H31503							
3	1	O-Ring O-ring	NBR	58-06-130/83 H76965									
3	1	O-Ring O-ring	FPM		58-06-222/73 H77000								
4	1	Lager für Drehantrieb Bearing for actuator	POM	15-28-002/34 H31673									
4	1	Lager für Drehantrieb Bearing for actuator	PA12		15-28-009/63 H31684								
5	1	Stelling Adjust ring	1.4301	67-08-007/13 H79757	67-08-008/13 H79758								
6	1	Zyl. Kerbstift Cyl. pin	1.4305	DIN EN ISO 8740-V2A 5x26 H79916	67-15-035/13 8x45 H79917								
7	1	O-Ring O-ring	NBR		58-06-426/83 H143352								
8	1	O-Ring O-ring	NBR	58-06-052/83 H107914									
9	1	Druckstück Drehantrieb Thrust ring turning actuator	Hostaform	08-48-117/53 H105080									

APV
SPX FLOW
Germany

Datum: 28.03.13 08.05.14
Name: Trytko Trytko
Geprüft: Trytko

Datum: Blatt 2 von 2
Name: RN 01.076
Geprüft: RN 01.076

APV DELTA SVS1F

BUTTERFLY VALVE

SPXFLOW

SPX FLOW

Design Center

Gottlieb-Daimler-Straße 13
D-59439 Holzwickede, Germany
P: (+49) (0) 2301-9186-0
F: (+49) (0) 2301-9186-300

SPX FLOW

Production

Stefana Rolbieskiego 2
PL- Bydgoszcz 85-862, Poland
P: (+48) 52 566 76 00
F: (+48) 52 525 99 09

SPX FLOW reserves the right to incorporate the latest design and material changes without notice or obligation.

Design features, materials of construction and dimensional data, as described in this manual, are provided for your information only and should not be relied upon unless confirmed in writing. Please contact your local sales representative for product availability in your region. For more information visit www.spxflow.com.

ISSUED 08/2017 - Translation of Original Manual
COPYRIGHT ©2017 SPX FLOW, Inc.

Scan for SV1/SVS1F Valve
Maintenance Video

