



Alfa Laval SB Micro Sampling Port

Sampling valves

Introduction

The Alfa SB Laval Micro Sampling Port enables representative hygienic and microbiological samples to be taken under sterile conditions in small volumes from tanks and pipework. To help ensure product safety, the sampling port features a straightforward hygienic design with minimal components to make collecting samples mid-stream easy, convenient and accurate.

Application

The SB Micro Sampling Port is specially designed for use within the brewery, food, dairy, beverage and many other industries.

Benefits

- Safe, simple, aseptic sampling
- Small sample size
- Minimum impact to product
- Superior hygiene
- Versatile mounting
- Easy to clean

Standard design

The sampling port consists of a housing made as a socket for direct welding into the tank wall or pipework, a rubber plug which is positioned by a press screw, o-ring, chain and closing cap. There are three types: Type P, Type PC, and Type T (see page 2).

Working principle

Before sampling, sterilize the plug with alcohol, for instance. The inner part of the rubber plug will automatically be cleaned during either tank or pipe cleaning.

To take a sample, simply unscrew the closing cap and insert a one-millimetre hypodermic needle through the rubber plug.

Replacement of the rubber plug should only take place when the tank is empty, and pressure has been released. To replace the plug, loosen the press screw until it is released from the holder and the rubber plug is released. Mount the new plug, then remount the press screw tightly.



TECHNICAL DATA

Temperature

Temperature range, silicone: 1°C - 110°C

Temperature range, natural rubber: 1°C - 90°C

Pressure

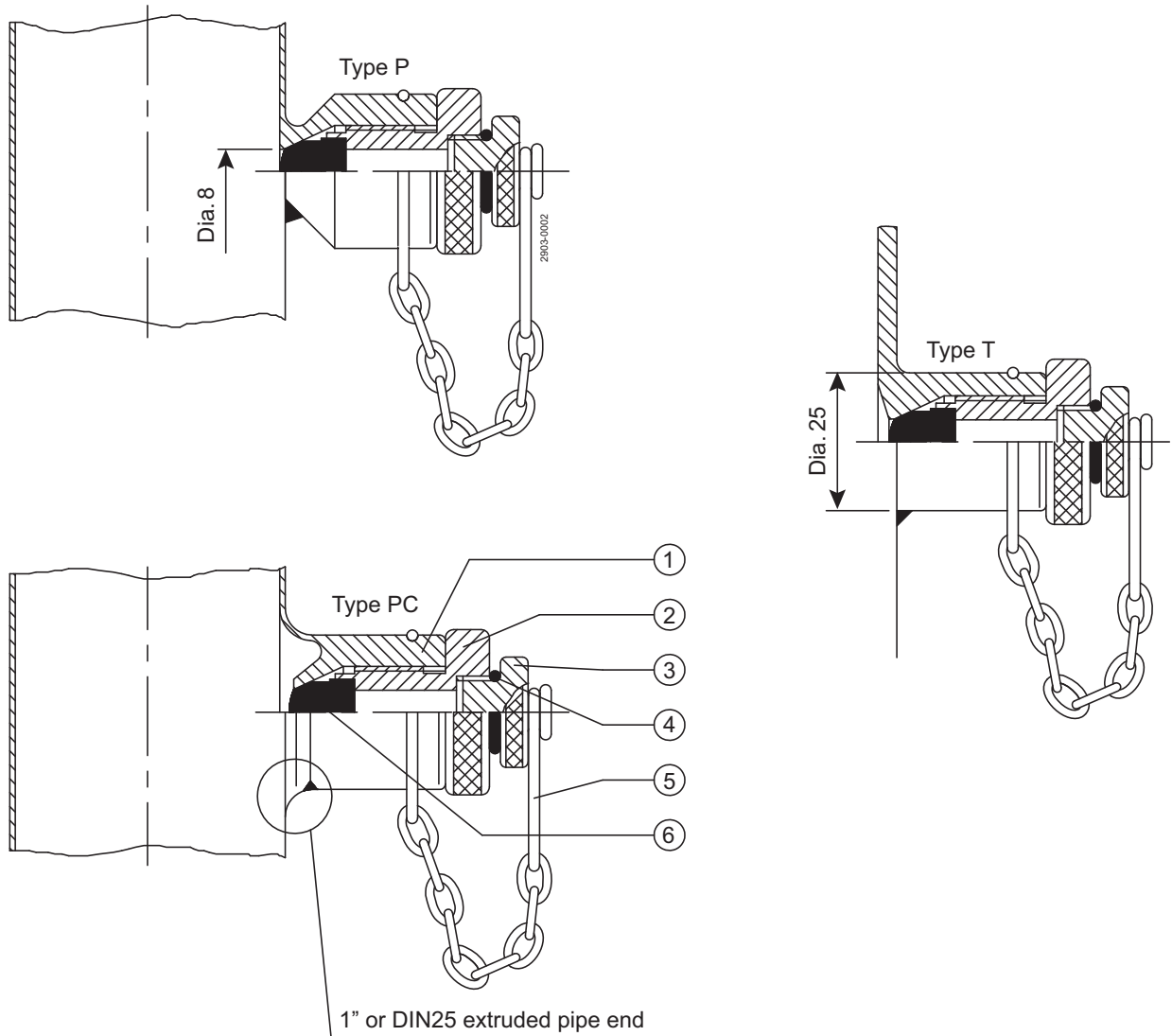
Max. product pressure: 6 bar

PHYSICAL DATA

Materials

Product wetted steel parts: EN 1.4404 (AISI 316L) 3.1 available

Membrane seals: Silicone or natural rubber



Pos. 1: Welding socket

Pos. 2: Press screw

Pos. 3: Closing cap

Pos. 4: O-ring

Pos. 5: Chain

Pos. 6: Rubber plug

The different types of sockets are mounted as follows:

- Socket, Type T, is welded into a 25 mm diameter hole in a tank wall
- Socket, Type P, is welded on a pipewall and thereafter a 8 mm hole is drilled
- Socket, Type PC, is available for welding onto extruded pipe ends equal to 1" as well as DN25

Alfa Laval reserves the right to change specifications without prior notification.

How to contact Alfa Laval

Contact details for all countries are continually updated on our website. Please visit www.alfalaval.com to access the information direct.