



I Application

Kiber KSF progressive cavity pumps are used to transfer products of low and high viscosity as well as products containing soft particles. They are also recommended for use with edible oils, wine, concentrates and beverages in general. They can also be used to transfer viscous food products.

I Design and features

KSF type is a sanitary progressive cavity pump. Close-coupled construction with direct coupling to the drive. Due to the design, they are self-priming and reversible. Open transmission (hygienic design). Excentric outlet.

I Technical specifications

Materials:	
Parts in contact with the product	Stainless steel AISI 316L (1.4404)
Other steel parts	Stainless steel AISI 304 (1.4301)
Flange support	GG-22
Stator	black NBR (according to FDA and EC 1935/2004)
Gaskets in contact with the product	FPM (according to FDA and EC 1935/2004)

Single internal mechanical seal EN 12756 I1k (according to FDA and EC 1935/2004):	
Rotary part	Silicon carbide (SiC)
Stationary part	Carbon (C)
Gaskets	FPM

Surface finish:	
Internal	Bright polish, Ra ≤ 0,8 μm
External	Matt

Connections:	
	DIN 11851
	CLAMP
	SMS

Operating limits (depending on the model):		
Maximum flow	45 m ³ /h	198 US GPM
Maximum working pressure		
- single stage	6 bar	87 PSI
- double stage	12 bar	174 PSI
Maximum working temperature	85 °C (depending on materials)	185 °F
Maximum speed	1450 rpm	





I Technical specifications

Type	Capacity at 100 rev. [l]	Max. flow [m³/h]	Max. pressure [bar]		Max. speed [rpm]	Min. starting torque [Nm]	
			Single stage	Double stage		Single stage	Double stage
KSF-20	2,8	2,4	6	12	1450	18	30
KSF-25	6,7	3,8			950	20	36
KSF-30	9,8	5,6			950	25	45
KSF-40	23,7	13,5			950	45	80
KSF-50	45,1	19,5			720	70	125
KSF-60	82	24,6			500	110	190
KSF-80	185,4	44,5			400	150	260

I Options

Single flushed mechanical seal (Quench).

Mechanical seal: SiC/SiC.

Gland packing.

Stators: white EPDM and white NBR.

Gaskets: EPDM.

Other types of connections.

Heavy-duty transmission.

Fixed transmission.

Pump casing with heating jacket.

Stainless steel trolley.

Electrical control panel.

Bypass pressure relief valve.

Cleaning port (CIP).

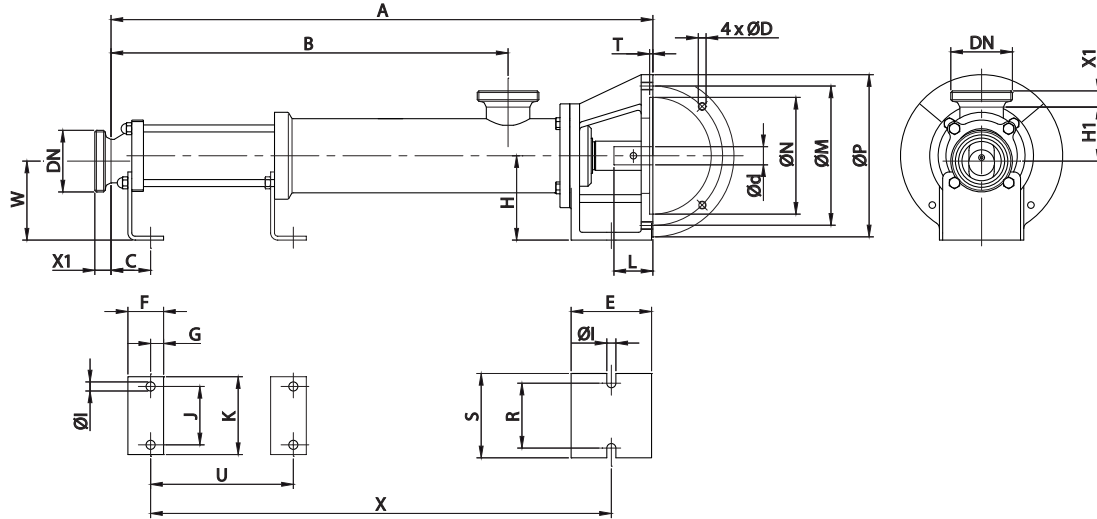
ATEX certification.

I Dimensions

Type	DN	DIN 11851	SMS	CLAMP OD
		X1		
KSF-20 2KSF-20	40 1½"	22	23	14
KSF-25 2KSF-25	50 2"	23	23	21
KSF-30 2KSF-30	50 2"	23	23	21
KSF-40 2KSF-40	65 2½"	25	27	20
KSF-50 2KSF-50	80 3"	40	27	21
KSF-60	100 4"	30	30	21,5
KSF-80	100 4"	30	30	21,5



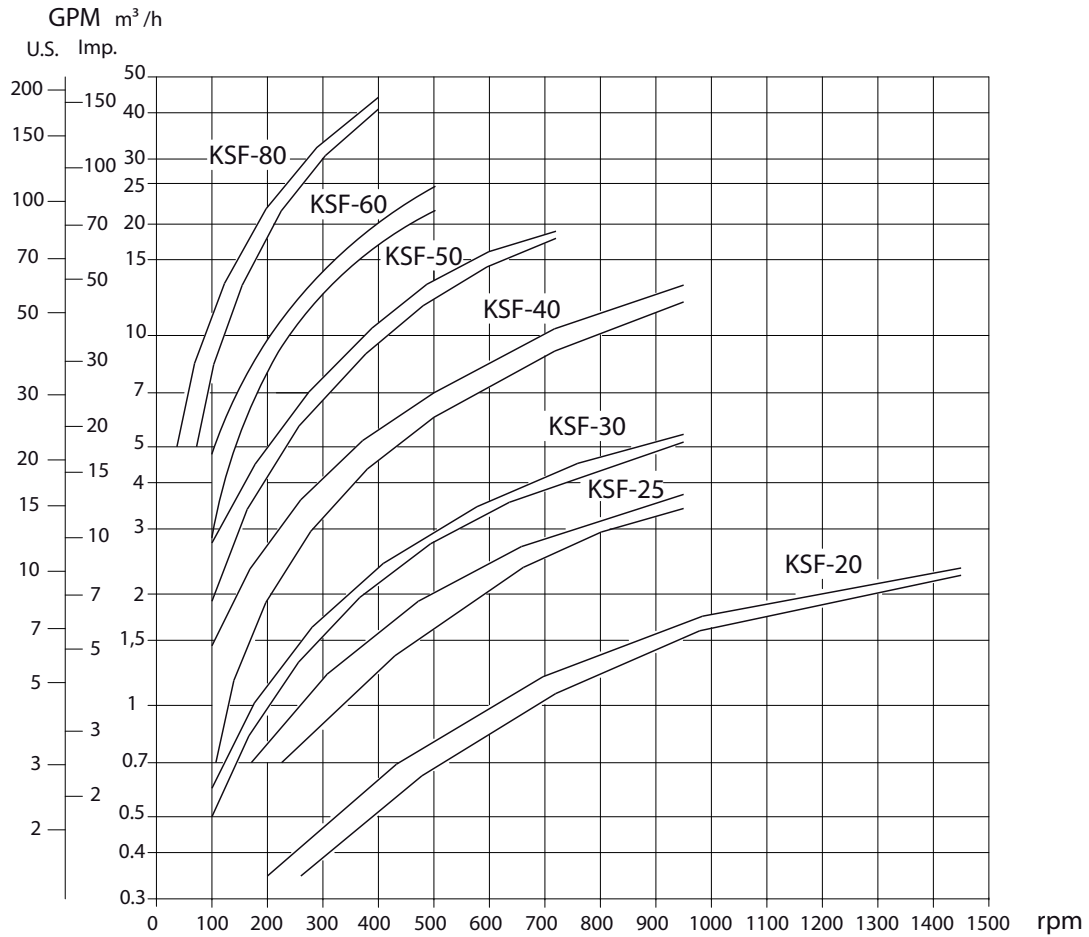
I Dimensions



Type	DN	d		L		A	B	D	C	F	G	H	H1	I	J	K	M	N	P	R	S	T	U	X	W	Weight kg
		min.	max.	min.	max.																					
KSF-20	40	19	24	42	52	465	302	M8	35	35	12	90	61	11	45	70	130	110	160	70	100	5	-	381	87	11
2KSF-20	1½"					567	402																	481		12
KSF-25	50	24	28	52	62	600	416	M10	39	40	15	110	70	11	60	90	165	130	200	90	120	5	-	504	107	18
2KSF-25	2"					692	508																	596		19
KSF-30	50	24	28	52	62	600	416	M10	39	40	15	110	73	11	60	90	165	130	200	90	120	5	-	504	104	19
2KSF-30	2"					750	566																	654		20
KSF-40	65	24	30	52	72	835	612	M12	61	55	20	130	83	14	90	120	215	180	250	100	130	5	-	710	122	32
2KSF-40	2½"					1025	802																	410		900
KSF-50	80	24	30	52	72	896	673	M12	65	55	20	130	88	14	90	120	215	180	250	100	130	5	-	767	117	36
2KSF-50	3"					1150	927																	531		1021
KSF-60	100	35	42	72	112	1085	830	M12	70	60	20	160	119	18	130	170	265	230	300	150	190	5	-	953	146	68
KSF-80	100	35	42	72	112	1215	960	M12	90	60	20	160	133	18	130	190	265	230	300	150	190	5	-	1063	132	85



I Performance chart



The information is for guidance only. We reserve the right to modify any material or feature without notice in advance. Photos are not binding. For further information, please, consult our web site. www.sk-online.com

FT:KIBER_KSF.1.EN-0317