

PRODUCT CATALOG 2021

KEOFITT CLASSIC W25

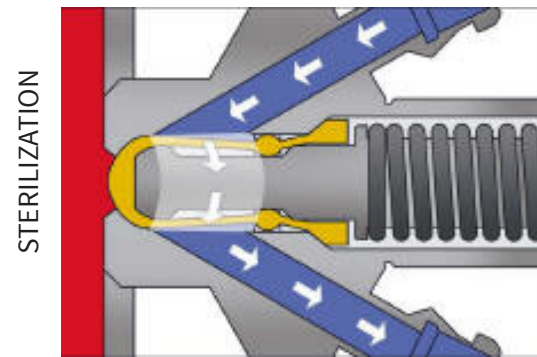
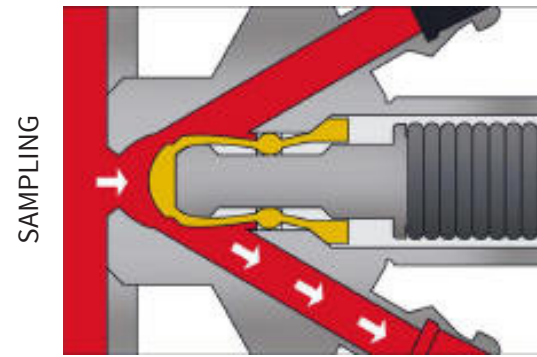


KEOFITT
WORLD LEADERS IN STERILE SAMPLING™



www.sks-online.com

HOW IT WORKS



KEOFITT CLASSIC W25 SAMPLING VALVE

The KEOFITT CLASSIC W25 Sampling Valve is the largest KEOFITT sampling valve. Designed for sampling of very high viscosity products in the range of 0-250,000 cP and particles less than 17 mm in diameter. Sampling of more viscous liquids is possible, only will it take longer (depending on process pressure).

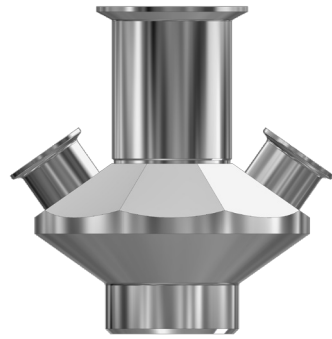
This valve is used in a range of industries such as food, dairy, pharmaceutical and bio-tech for products such as:

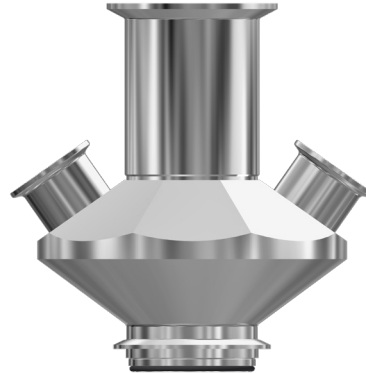
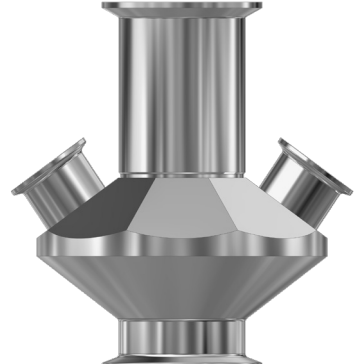
- Peanut Butter
- Fruit Pulp
- Syrup
- Cellulose
- Fruit Mixed Products
- Cosmetics

Available with PTFE membrane.



KEOFITT CLASSIC W25 SAMPLING VALVE - BODIES

		WELDING BODIES	
		TANK WELDING	PIPE WELDING
W25 BODIES	1" CLAMP	 <p>870001</p>	<p><i>On request</i></p>
	VELDING LINER	<p><i>On request</i></p>	<p><i>On request</i></p>

		CONNECTION BODIES	
		VARIVENT Ø68	CLAMP 3"
W25 BODIES	1" CLAMP	 <p>870009</p>	 <p>870003</p>
	VELDING LINER	<p><i>On request</i></p>	<p><i>On request</i></p>

KEOFITT CLASSIC W25 SAMPLING VALVE - HEADS

W25 HEADS

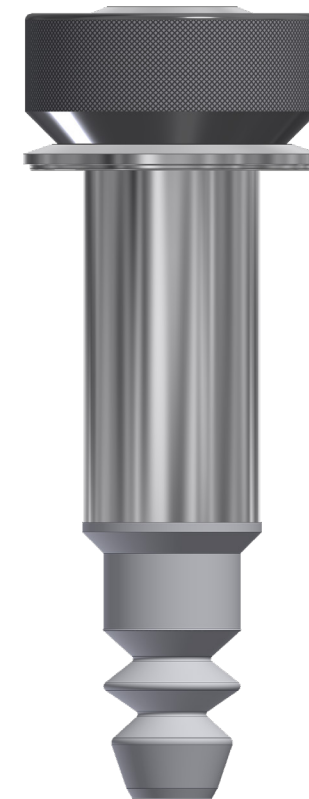
PTFE

TYPE N
LEVER HANDLE
PNEUMATIC



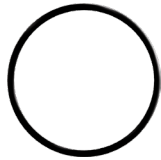

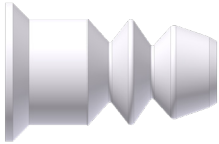




875544


TYPE B
NO SPRING
0-12 BAR



875547

KEOFITT CLASSIC W25 - PARTS & ACCESSORIES

W25™ PARTS & ACCESSORIES	O-RINGS	 400208 EPDM 60X3	 900091 GASKET EPDM 1"	
	MEMBRANES	 870055 PTFE		
	FOR VALVE HEADS	 870255 TOOL PTFE		
	MISC.	 900086 CLAMP RING 1"	 800014 ADAPTER TC/1"	 900093 GASKET EPDM 3"

 900187 CLAMP RING FOR W25 VALVE		