



Alfa Laval M6

Gasketed plate-and-frame heat exchanger for a wide range of applications

Alfa Laval Industrial line is a wide product range that is used in virtually all types of industry.

Suitable for a wide range applications, this model is available with a large selection of plate and gasket types.

In addition to normal single plate configuration, this model is also available with double wall plates. Double wall plates are used as an extra precaution to avoid intermixing of fluids.

Applications

- Biotech and Pharmaceutical
- Chemicals
- Energy and Utilities
- Food and Beverages
- Home and Personal care
- HVAC and Refrigeration
- Machinery and Manufacturing
- Marine and Transportation
- Mining, Minerals and Pigments
- Pulp and Paper
- Semiconductor and Electronics
- Steel
- Water and Waste treatment

Benefits

- High energy efficiency – low operating cost
- Flexible configuration – heat transfer area can be modified
- Easy to install – compact design
- High serviceability – easy to open for inspection and cleaning and easy to clean by CIP
- Access to Alfa Laval's global service network

Features

Every detail is carefully designed to ensure optimal performance, maximum uptime and easy maintenance. Selection of available features:

- Corner guided alignment system
- Chocolate pattern distribution area
- Glued gasket
- Clip-on gasket
- Leak chamber
- Fixed bolt head
- Key hole bolt opening
- Lifting lug
- Lining
- Lock washer
- Tightening bolt cover



Extending performance

with Alfa Laval 360° Service Portfolio

Our extensive services ensure top performance from your Alfa Laval equipment throughout its life cycle. The availability of parts and our team's commitment and expertise bring you peace of mind.

Start-up

- Installation
- Installation Supervision
- Commissioning

Maintenance

- Cleaning Services
- Reconditioning
- Repair
- Service Tools
- Spare Parts

Support

- Exclusive Stock
- Technical Documentation
- Telephone Support
- Training
- Troubleshooting

Improvements

- Equipment Upgrades
- Redesign
- Replacement and Retrofit

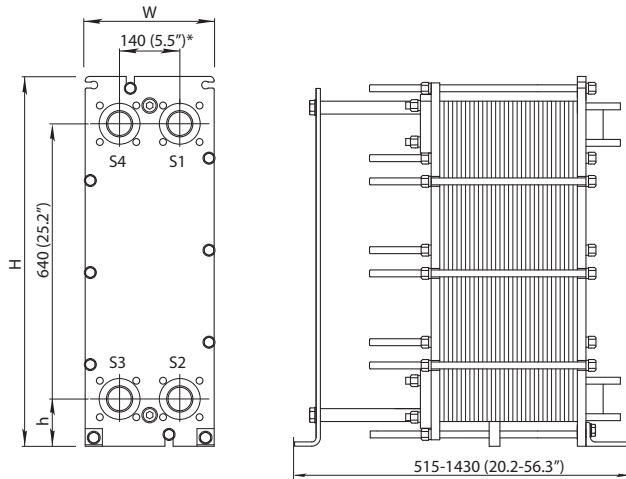
Monitoring

- Condition Audit
- Performance Audit



Dimensional drawing

Measurements mm (inches)



Type	H	W	h
M6-FM	920 (36.2")	320 (12.6")	140 (5.5")
M6-FG	920 (36.2")	320 (12.6")	140 (5.5")
M6-FD	940 (37.0")	330 (13.0")	150 (5.9")

The number of tightening bolts may vary depending on pressure rating.

Technical data

Plates

Name	Type	Free channel, mm (inches)
M6	Single plate	2.0 (0.079)
M6-M	Single plate	3.0 (0.12)
M6-MX	Single plate Diagonal flow	3.0 (0.12)
M6-MD	Double wall plate	3.0 (0.12)
M6-MG	Gemini (hygienic) Double wall	3.0 (0.12)

Materials

Heat transfer plates	304/304L, 316/316L, 904L, 254 C-22, C-276, C-2000, 59 G-30, 825 Ni, Ti, TiPd
Field gaskets	NBR, EPDM, FKM, CR
Flange connections	Carbon steel Metal lined: stainless steel, Alloy 254, Alloy C-276, titanium Rubber lined: NBR, EPDM
Pipe connections	Stainless steel, titanium, Alloy 254, Alloy C-276 Rubber lined: NBR, EPDM
Frame and pressure plate	Carbon steel, epoxy painted

Other materials may be available on request.

All option combinations may not be configurable.

Operational data

Frame, PV-code	Max. design pressure (barg/psig)	Max. design temperature (°C/°F)
FM, pvcALS	10.0/145	180/356
FG, pvcALS	16.0/232	180/356
FG, ASME	11.2/162	210/410
FG, PED	16.0/232	180/356
FD, pvcALS	25.0/363	180/356
FD, ASME	20.7/351	250/482
FD, PED	25.0/362	180/356

Extended pressure and temperature rating may be available on request.

Pipe connections

Threaded port	ISO 228 - G 2
External parallel threaded	ISO 228 - G 2 B
External tapered threaded	ISO 7 - R 2 1 1/4 - 11.5 NPT 2 - 11.5 NPT
Straight welded	NPS 2 (50 mm)
Radial grooved pipe	NPS 2

Other connection types may be available on request.

Flange connections

FM, pvcALS	EN 1092-1 DN50 PN10 ASME B16.5 Class 150 NPS 2 JIS B2220 10K 50A
FG, pvcALS	EN 1092-1 DN50/DN65 PN16 ASME B16.5 Class 150 NPS 2 JIS B2220 16K 50A
FG, ASME	ASME B16.5 Class 150 NPS 2
FG, PED	EN 1092-1 DN50 PN16 ASME B16.5 Class 150 NPS 2
FD, pvcALS	EN 1092-1 DN50 PN25 JIS B2220 20K 50A
FD, ASME	ASME B16.5 Class 300 NPS 2
FD, PED	EN 1092-1 DN50 PN25 ASME B16.5 Class 300 NPS 2

Standard EN1092-1 corresponds to GOST 12815-80 and GB/T 9115.

CHE00071EN 2016-04

Alfa Laval reserves the right to change specifications without prior notification.

How to contact Alfa Laval

Contact details for all countries are continually updated on our website. Please visit www.alfalaval.com to access the information direct.