



Alfa Laval Front 6

Gasketed plate-and-frame heat exchanger for hygienic applications

Alfa Laval FrontLine is the premium range of heat exchangers used in dairy, food, beverage and other hygienic applications requiring gentle product treatment, long operating times or superior cleanability. A large range of plate and gasket types is available.

The Clip plate has a chevron type of plate pattern designed for hygienic conditions. The entry points, the distribution area and the shape and pressing depth of the plate pattern give optimal performance.

WideStream plates with special plate pattern and a limited number of contact points are available for viscous products and products containing pulp and fibres.

In addition to normal single plate configuration, this model is also available with Gemini double wall plates. Gemini plates are fully cleanable and accessible and are used as an extra precaution to avoid intermixing of fluids.

Applications

- Biotech and Pharmaceutical
- Food and Beverages
- Home and Personal care

Benefits

- Superior hygienic safety – plates designed for food applications
- Gentle treatment of sensitive products
- Uncompromising cleanliness
- Flexible configuration – possible to rebuild the heat exchanger

Features

Every detail is carefully designed to ensure the highest hygienic standards, gentle product treatment and efficient cleaning. Selection of available features:

- 5-point alignment system
- Corner guided alignment system
- Chocolate pattern distribution area
- Clip-on gasket
- Leak chamber
- Bearing box
- Fixed bolt head
- Key hole bolt opening
- Lock washer
- Pressure plate roller
- Interchangeable corners
- Adjustable feet
- 2-point feet support on column
- Tightening bolt cover



Extending performance

with Alfa Laval 360° Service Portfolio

Our extensive services ensure top performance from your Alfa Laval equipment throughout its life cycle. The availability of parts and our team's commitment and expertise bring you peace of mind.

Start-up

- Installation
- Installation Supervision
- Commissioning

Maintenance

- Cleaning Services
- Reconditioning
- Repair
- Service Tools
- Spare Parts

Support

- Exclusive Stock
- Technical Documentation
- Telephone Support
- Training
- Troubleshooting

Improvements

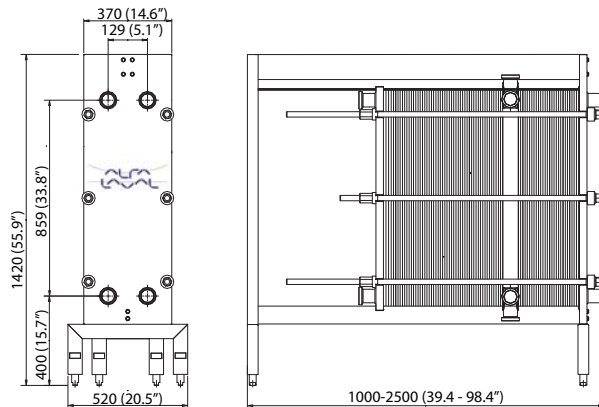
- Equipment Upgrades
- Redesign
- Replacement and Retrofit

Monitoring

- Condition Audit
- Performance Audit

Dimensional drawing

Measurements mm (inches)



Operational data

Frame, PV-code	Max. design pressure (barg/psig)	Max. design temperature (°C/°F)
FRM, PED	10.0/145	150/302
FRH, PED	16.0/232	150/302
FRD, PED	21.0/304	150/302

Extended pressure and temperature rating may be available on request.

Connections

DIN, SMS, Tri-CLAMP, BS/RJT and IDF/ISO male parts.

Technical data

Plates

Name	Type	Free channel, mm (inches)
Clip 6	Single plate	4.0 (0.16)
Clip 6-G	Gemini (hygienic) Double wall	4.0 (0.16)
Clip 6-WS	WideStream	4.0 (0.16)

Materials

Heat transfer plates	316/316L
Field gaskets	NBR, EPDM
Connections	Acid proof stainless steel
Frame and pressure plate	Solid stainless steel, clad stainless steel or surface coated

The plate heat exchanger is manufactured according to 3A certification.

The gaskets are produced in compliance with the regulations of FDA.

Other materials may be available on request.

All option combinations may not be configurable.

CHE00066EN 2016-04

Alfa Laval reserves the right to change specifications without prior notification.

How to contact Alfa Laval

Contact details for all countries are continually updated on our website. Please visit www.alfalaval.com to access the information direct.