



## Alfa Laval TS6

### Gasketed plate-and-frame heat exchanger for a wide range of applications

Alfa Laval Industrial line is a wide product range that is used in virtually all types of industry.

The relatively short plate makes this model suitable for duties with short temperature programs and when a low pressure drop is appreciated. A large range of plate and gasket types is available.

#### Applications

- Biotech and Pharmaceutical
- Chemicals
- Energy and Utilities
- Food and Beverages
- Home and Personal care
- HVAC and Refrigeration
- Machinery and Manufacturing
- Marine and Transportation
- Mining, Minerals and Pigments
- Pulp and Paper
- Semiconductor and Electronics
- Steel
- Water and Waste treatment

#### Benefits

- High energy efficiency – low operating cost
- Flexible configuration – heat transfer area can be modified
- Easy to install – compact design
- High serviceability – easy to open for inspection and cleaning and easy to clean by CIP
- Access to Alfa Laval's global service network

#### Features

Every detail is carefully designed to ensure optimal performance, maximum uptime and easy maintenance. Selection of available features:

- Corner guided alignment system
- Chocolate pattern distribution area
- Clip-on gasket
- Leak chamber
- Fixed bolt head
- Key hole bolt opening
- Lifting lug
- Lining
- Lock washer
- Tightening bolt cover



#### Extending performance with Alfa Laval 360° Service Portfolio

Our extensive services ensure top performance from your Alfa Laval equipment throughout its life cycle. The availability of parts and our team's commitment and expertise bring you peace of mind.

##### Start-up

- Installation
- Installation Supervision
- Commissioning

##### Maintenance

- Cleaning Services
- Reconditioning
- Repair
- Service Tools
- Spare Parts

##### Support

- Exclusive Stock
- Technical Documentation
- Telephone Support
- Training
- Troubleshooting

##### Improvements

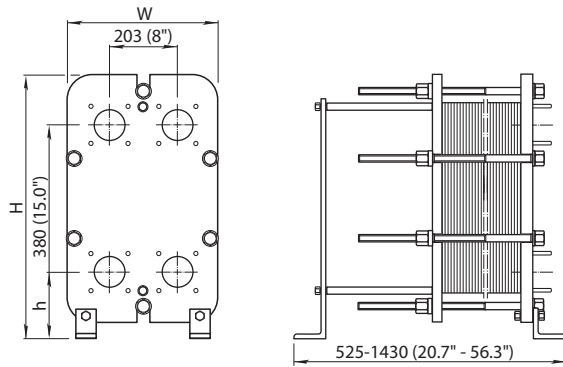
- Equipment Upgrades
- Redesign
- Replacement and Retrofit

##### Monitoring

- Condition Audit
- Performance Audit

## Dimensional drawing

Measurements mm (inches)



Type	H	W	h
TS6-FG	704 (27.7")	400 (15.7")	188 (7.4")
TS6-FD	704 (27.7")	410 (16.1")	188 (7.4")

## Technical data

### Plates

Name	Type	Free channel, mm (inches)
TS6-M	Single plate	4.0 (0.16)

### Materials

Heat transfer plates	316/316L Ti
Field gaskets	NBR, EPDM, FKM
Flange connections	Carbon steel Metal lined: stainless steel, titanium
Frame and pressure plate	Carbon steel, epoxy painted

Other materials may be available on request.

All option combinations may not be configurable.

## Operational data

Frame, PV-code	Max. design pressure (barg/psig)	Max. design temperature (°C/°F)
FG, pvcALS	16.0/232	180/356
FG, ASME	14.3/207	250/482
FG, PED	16.0/232	180/356
FD, ASME	20.7/300	250/482
FD, PED	25.0/362	180/356

Extended pressure and temperature rating may be available on request.

## Flange connections

FG, pvcALS	EN 1092-1 DN65 PN16 JIS B2220 10K 65A JIS B2220 16K 65A
FG, ASME	ASME B16.5 Class150 NPS 3
FG, PED	EN 1092-1 DN65 PN16 ASME B16.5 Class 150 NPS 3
FD, pvcALS	EN 1092-1 DN65 PN25 JIS B2220 10K 65A JIS B2220 20K 65A
FD, ASME	ASME B16.5 Class 300 NPS 3
FD, PED	EN 1092-1 DN65 PN25 ASME B16.5 Class 300 NPS 3

Standard EN1092-1 corresponds to GOST 12815-80 and GB/T 9115.

### How to contact Alfa Laval

Contact details for all countries are continually updated on our website. Please visit [www.alfalaval.com](http://www.alfalaval.com) to access the information direct.