



Alfa Laval LKC Non-return Valve

Control/Check valves

Introduction

The Alfa Laval LKC Non-return Valve is a hygienic one-way check valve for use in various processes across the hygienic industries to prevent reverse flow. It is easy to install, ensuring safety and high product quality. It is available in two versions: the LKC-2 for vertical flow and the LKC-H for horizontal flow.

Application

The LKC Non-return Valve is widely used for single directional product flow through hygienic process lines across the dairy, food, beverage, brewery and many other industries.

Benefits

- Highly reliable, self-acting valve
- Easy to install
- Protects process equipment
- Prevents reverse flow

Standard design

The Alfa Laval LKC Non-return Valve consists of a valve body in two parts, valve plug and spring, assembled by means of a clamp ring and hygienically sealed with a special seal ring. A guide disc with four legs ensure alignment of the spring-loaded valve plug with an o-ring seal. The valve is available with weld and clamp ends for ISO and DIN tubing connections.

Working principle

The Alfa Laval LKC Non-return Valve opens and closes depending on the pressure. The spring acts on the valve plug and keeps the valve closed until the force from the pressure in the inlet exceeds the force of the spring. If a reverse flow should occur, the spring force and the pressure from the outlet will keep the valve closed. Required differential pressure for opening the valve when fitted in a vertical pipe is approximately 6 kPa (0.06 bar).



TECHNICAL DATA

Temperature	
Max. temperature:	140°C (EPDM)
Min. temperature:	-10°C

Pressure	
Max. product pressure:	1000 kPa (10 bar)

Mechanical

Required differential pressure for opening the valve when fitted in a vertical pipe, as shown in fig. 3, is approx. 6 kPa (0.06 bar).

Options

Product wetted seal rings of Nitrile (NBR) or Fluorinated rubber (FPM).

PHYSICAL DATA

Materials	
Product wetted steel parts:	1.4301 (304) / 1.4404 (316L)
External surface finish	Bright (Machined Ra 1.6)
Internal surface finish	Ra < 0.8 µm
Product wetted seals:	EPDM rubber

Pressure drop/capacity diagram

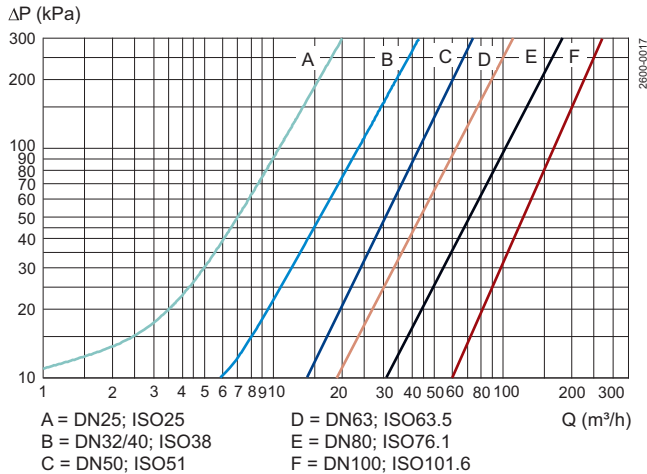


Fig. 1. **Note!**

For the diagram the following applies:
 Medium: Water (20°C)
 Measurement: In accordance with VDI 2173.

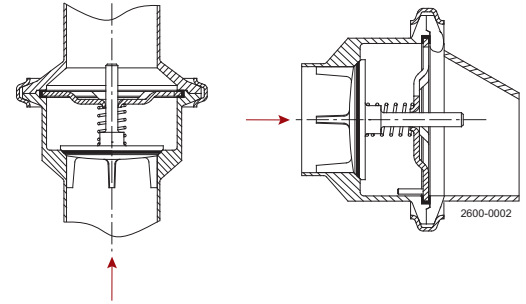
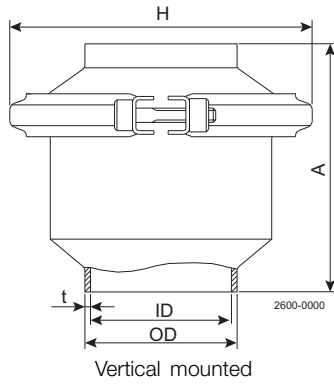


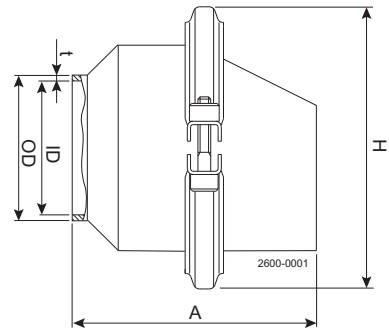
Fig. 2 = Flow direction.

Shows the optimal built-in situation. Other positions possible are e.g. horizontal. The four guide legs of the valve cone ensure good alignment. 90° rotation.

Dimensions (mm)



Vertical mounted



Horizontal mounted

Table 1. Dimensions - Vertical mounted

Size	ISO						DIN						
	25 mm	38 mm	51 mm	63.5 mm	76.1 mm	101.6 mm	DN 25	DN 32	DN 40	DN 50	DN 65	DN 80	DN 100
A	62.5	75.0	87.5	95.0	115	155	62.5	75.0	75.0	87.5	95.0	115	155
OD	25.4	38.4	51.4	63.9	76.4	102	30.0	36.0	42.0	54.0	70.0	85.0	104
ID	22.5	35.5	48.5	60.5	72.0	97.6	26.0	32.0	38.0	50.0	66.0	81.0	100
t	1.45	1.45	1.45	1.7	2.2	2.2	2	2	2	2	2	2	2
H	72.0	85.5	99	127	138	164	72.0	85.5	85.5	99	127	138	164
Weight (kg)	0.5	0.7	1.0	1.7	2.4	4.3	0.5	0.7	0.7	1.0	1.7	2.4	4.3

Table 2. Dimensions - Horizontal mounted

Size	25 mm	38 mm	ISO 51 mm	63.5 mm	76.1 mm
A	95.5	86.4	104.1	119.4	139.7
OD	25.4	38.4	51.4	63.9	76.4
ID	22.5	35.5	48.5	60.5	72.0
t	1.45	1.45	1.45	1.7	2.2
H	72.0	85.5	99.0	127.0	138.0
Weight (kg)	0.5	0.7	1.0	1.7	2.4

Alfa Laval reserves the right to change specifications without prior notification.

How to contact Alfa Laval

Contact details for all countries
are continually updated on our website.
Please visit www.alfalaval.com to
access the information direct.