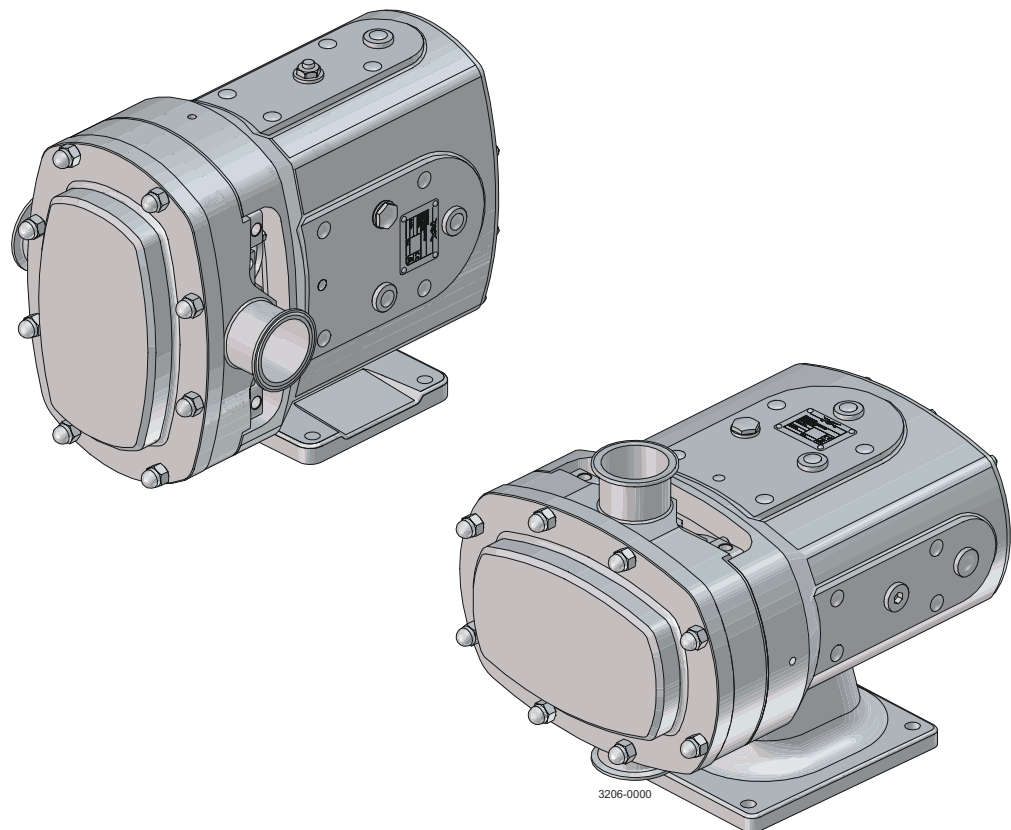


Alfa Laval DuraCirc® Range

Circumferential Piston Pump



Lit. Code
Manual No.

200005420-1-EN-GB
100003826

Clearance Data Hi-Flow
Rotor

Published by
Alfa Laval Kolding A/S
Albuen 31
DK-6000 Kolding, Denmark
+45 79 32 22 00

The original instructions are in English

© Alfa Laval Corporate AB 2021-08

This document and its contents are subject to copyrights and other intellectual property rights owned by Alfa Laval Corporate AB. No part of this document may be copied, re-produced or transmitted in any form or by any means, or for any purpose, without Alfa Laval Corporate AB's prior express written permission. Information and services provided in this document are made as a benefit and service to the user, and no representations or warranties are made about the accuracy or suitability of this information and these services for any purpose. All rights are reserved.

Contents

1	General Information.....	5
1.1	General Information.....	5
1.2	Rotor Identification.....	5
2	Clearance Data.....	7
2.1	DuraCirc 32 / 33 / 34 — Hi-Flow Rotors.....	7
2.2	DuraCirc 42 / 43 — Hi-Flow Rotors.....	8
2.3	DuraCirc 52 / 53 / 54 — Hi-Flow Rotors.....	9
2.4	DuraCirc 62 / 63 — Hi-Flow Rotors.....	10
2.5	DuraCirc 72 / 73 / 74 — Hi-Flow Rotors.....	11

1 General Information

1.1 General Information

This manual contains only clearance data for the DuraCirc pump range and is supplement to the full Installation and Operating Manual which should be referred to in parallel.

Este manual contiene datos de holgura sólo para la gama de bombas DuraCirc. Asegúrese de leerlo junto con el manual de instalación.

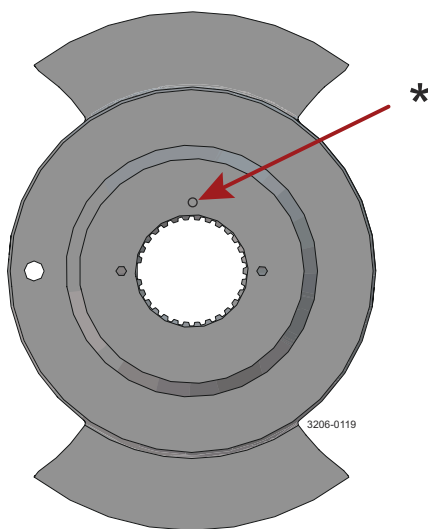
Die in diesem Handbuch enthaltenen Abstandsdaten gelten nur für die DuraCirc-Pumpenbaureihe. Lesen Sie diese Daten bitte in Verbindung mit dem Installationshandbuch.

Ce manuel contient des données de dégagement qui s'appliquent uniquement à la gamme de pompes DuraCirc. Veuillez prendre connaissance de ce document en même temps que le Manuel d'installation.

Это руководство содержит сведения о разрешениях только для линейки насосов DuraCirc. Обязательно используйте этот документ вместе с руководством по монтажу.

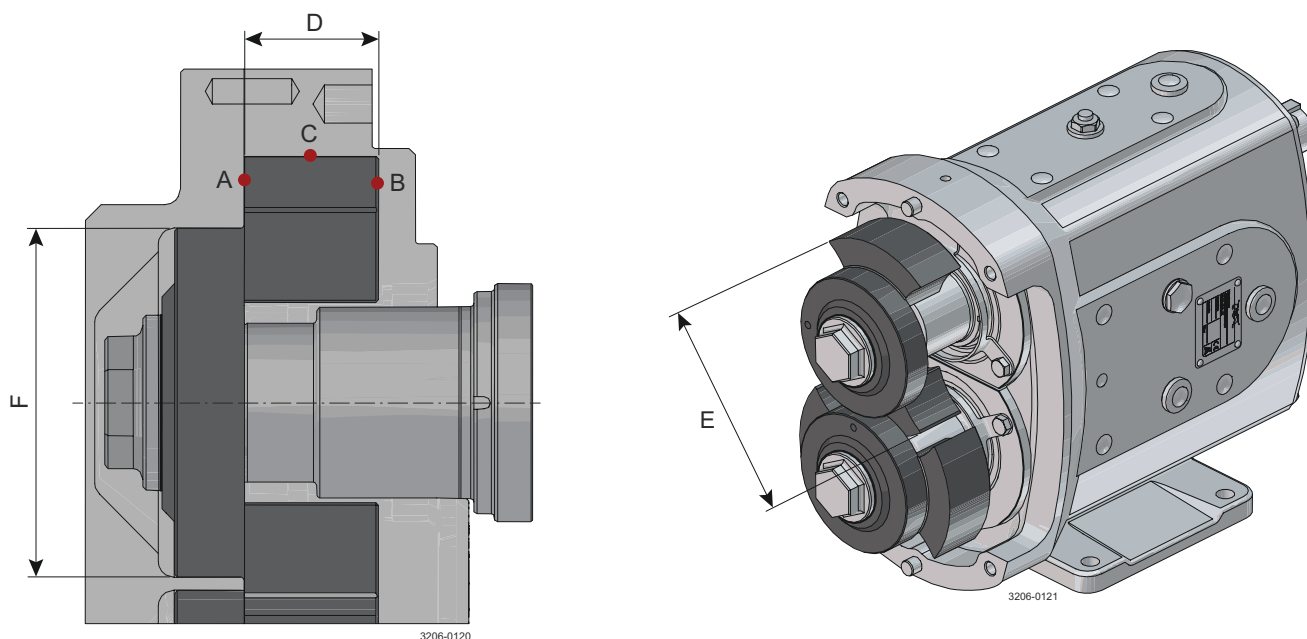
1.2 Rotor Identification

(*)= Hi-Life



2 Clearance Data

2.1 DuraCirc 32 / 33 / 34 — Hi-Flow Rotors



All dimensions given in mm.

DuraCirc 32 – Hi-Flow Rotors

25 bar

Temperature	A Front Clearance	B Back Clearance	C Radial Clearance	D Rotor Length	E Rotor Diameter	F Hub Diameter
150°C	0.04 (min)	0.04 0.06	0.04 (min)	8.97 9.00	85.95 85.98	65.98 66.01

DuraCirc 33 – Hi-Flow Rotors

25 bar

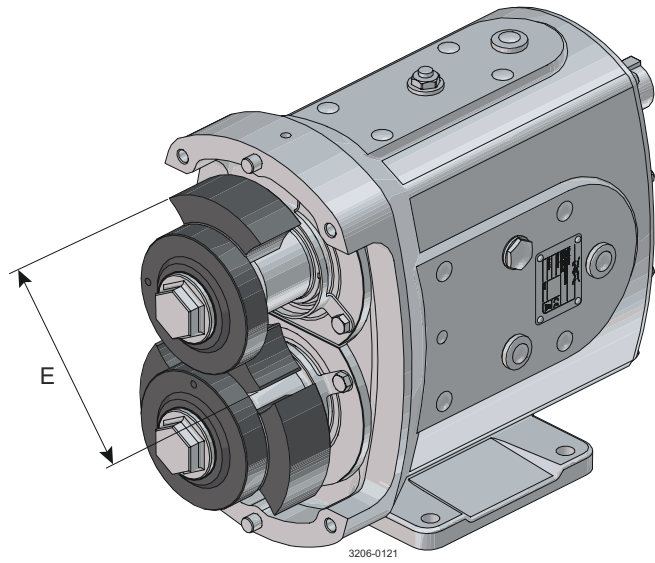
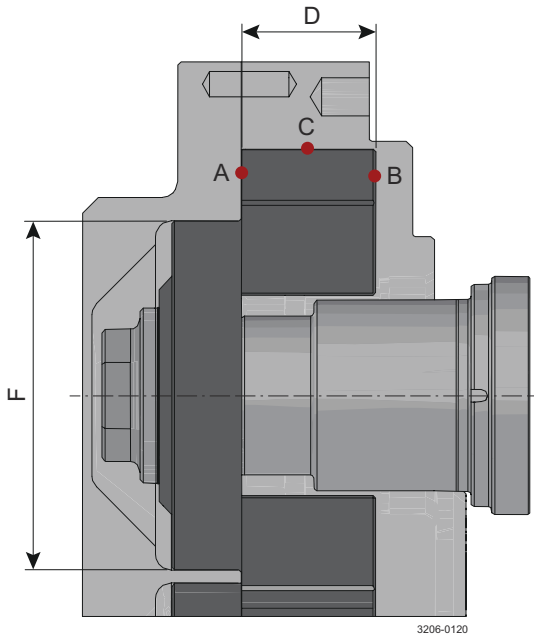
Temperature	A Front Clearance	B Back Clearance	C Radial Clearance	D Rotor Length	E Rotor Diameter	F Hub Diameter
150°C	0.04 (min)	0.04 0.06	0.04 (min)	15.97 16.00	85.95 85.98	65.98 66.01

DuraCirc 34 – Hi-Flow Rotors

16 bar

Temperature	A Front Clearance	B Back Clearance	C Radial Clearance	D Rotor Length	E Rotor Diameter	F Hub Diameter
150°C	0.06 (min)	0.04 0.06	0.05 (min)	32.95 32.98	85.93 85.96	65.95 65.98

2.2 DuraCirc 42 / 43 — Hi-Flow Rotors



All dimensions given in mm.

DuraCirc 42 – Hi-Flow Rotors

20 bar

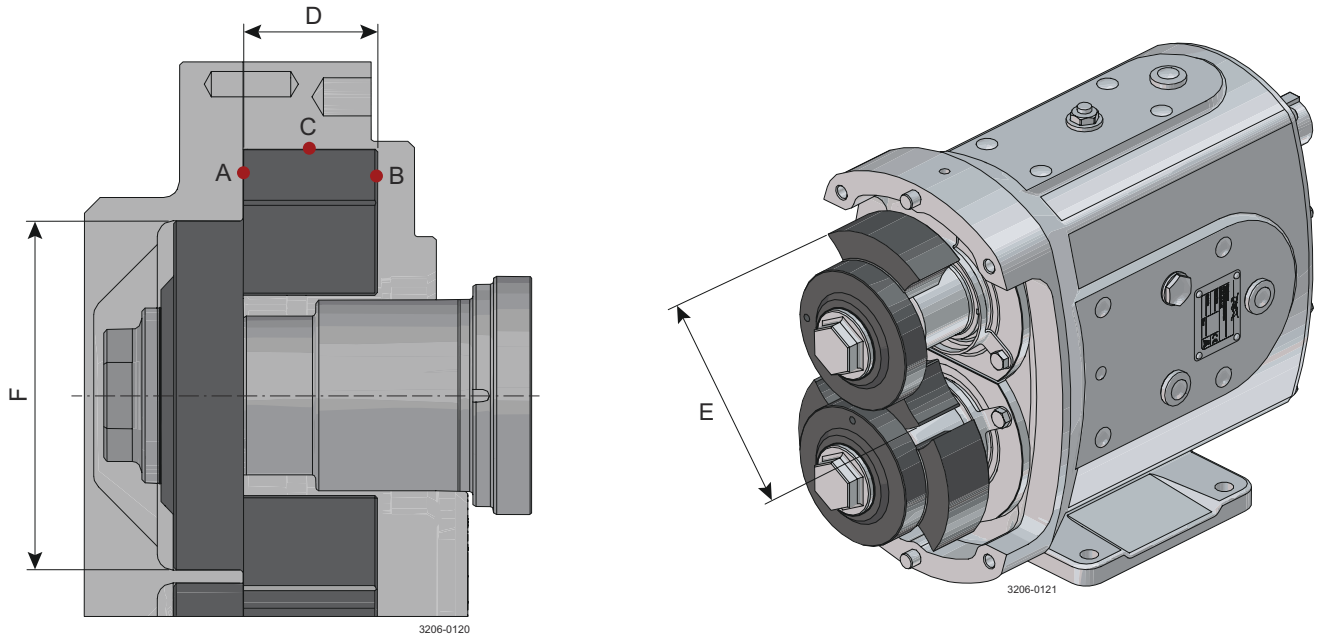
Temperature	A Front Clearance	B Back Clearance	C Radial Clearance	D Rotor Length	E Rotor Diameter	F Hub Diameter
150°C	0.04 (min)	0.04 0.06	0.06 (min)	31.07 31.10	117.81 117.84	85.43 85.46

DuraCirc 43 – Hi-Flow Rotors

13 bar

Temperature	A Front Clearance	B Back Clearance	C Radial Clearance	D Rotor Length	E Rotor Diameter	F Hub Diameter
150°C	0.05 (min)	0.04 0.06	0.07 (min)	40.06 40.09	117.79 117.82	85.41 85.44

2.3 DuraCirc 52 / 53 / 54 — Hi-Flow Rotors



All dimensions given in mm.

DuraCirc 52 – Hi-Flow Rotors

37 bar

Temperature	A Front Clearance	B Back Clearance	C Radial Clearance	D Rotor Length	E Rotor Diameter	F Hub Diameter
150°C	0.08 (min)	0.08 0.10	0.08 (min)	26.97 27.00	154.71 154.74	109.83 109.86

DuraCirc 53 – Hi-Flow Rotors

25 bar

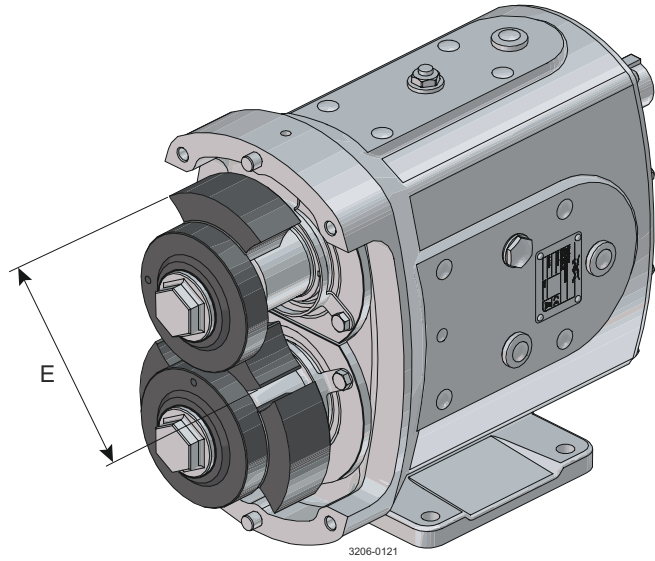
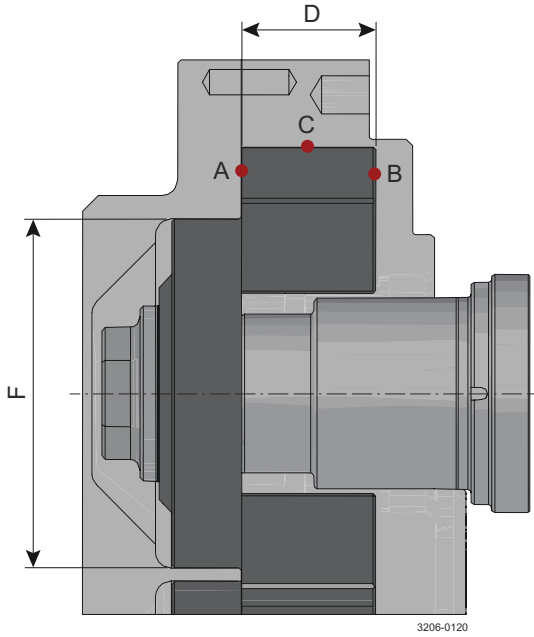
Temperature	A Front Clearance	B Back Clearance	C Radial Clearance	D Rotor Length	E Rotor Diameter	F Hub Diameter
150°C	0.10 (min)	0.08 0.10	0.09 (min)	42.67 42.70	154.69 154.72	109.81 109.84

DuraCirc 54 – Hi-Flow Rotors

16 bar

Temperature	A Front Clearance	B Back Clearance	C Radial Clearance	D Rotor Length	E Rotor Diameter	F Hub Diameter
150°C	0.09 (min)	0.08 0.10	0.13 (min)	68.98 69.01	154.67 154.70	109.79 109.82

2.4 DuraCirc 62 / 63 — Hi-Flow Rotors



All dimensions given in mm.

DuraCirc 62 – Hi-Flow Rotors

37 bar

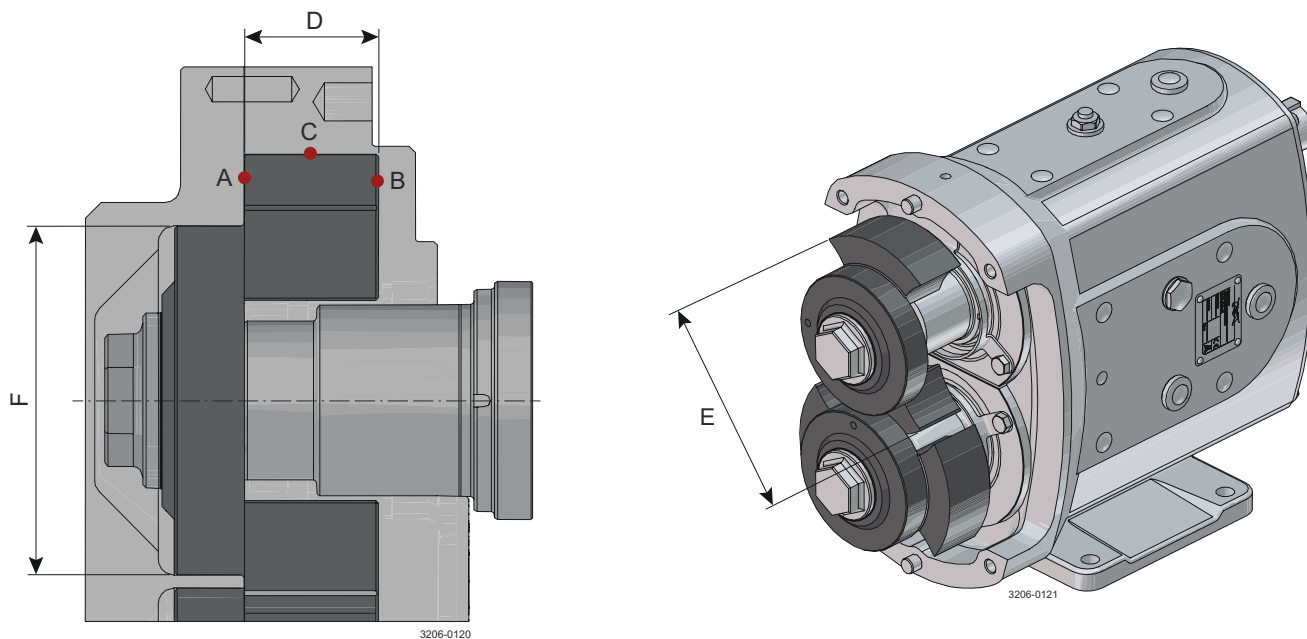
Temperature	A Front Clearance	B Back Clearance	C Radial Clearance	D Rotor Length	E Rotor Diameter	F Hub Diameter
150°C	0.15 (min)	0.13 0.15	0.15 (min)	54.87 54.90	207.60 207.63	145.68 145.71

DuraCirc 63 – Hi-Flow Rotors

25 bar

Temperature	A Front Clearance	B Back Clearance	C Radial Clearance	D Rotor Length	E Rotor Diameter	F Hub Diameter
150°C	0.15 (min)	0.13 0.15	0.15 (min)	74.87 74.90	207.60 207.63	145.72 145.75

2.5 DuraCirc 72 / 73 / 74 — Hi-Flow Rotors



All dimensions given in mm.

DuraCirc 72 – Hi-Flow Rotors

40 bar

Temperature	A Front Clearance	B Back Clearance	C Radial Clearance	D Rotor Length	E Rotor Diameter	F Hub Diameter
150°C	0.15 (min)	0.12 0.14	0.12 (min)	50.88 50.91	247.63 247.66	173.76 173.79

DuraCirc 73 – Hi-Flow Rotors

25 bar

Temperature	A Front Clearance	B Back Clearance	C Radial Clearance	D Rotor Length	E Rotor Diameter	F Hub Diameter
150°C	0.17 (min)	0.12 0.14	0.14 (min)	75.86 75.89	247.59 247.62	173.72 173.75

DuraCirc 74 – Hi-Flow Rotors

16 bar

Temperature	A Front Clearance	B Back Clearance	C Radial Clearance	D Rotor Length	E Rotor Diameter	F Hub Diameter
150°C	0.17 (min)	0.18 0.20	0.20 (min)	109.80 109.83	247.45 247.50	173.60 173.63