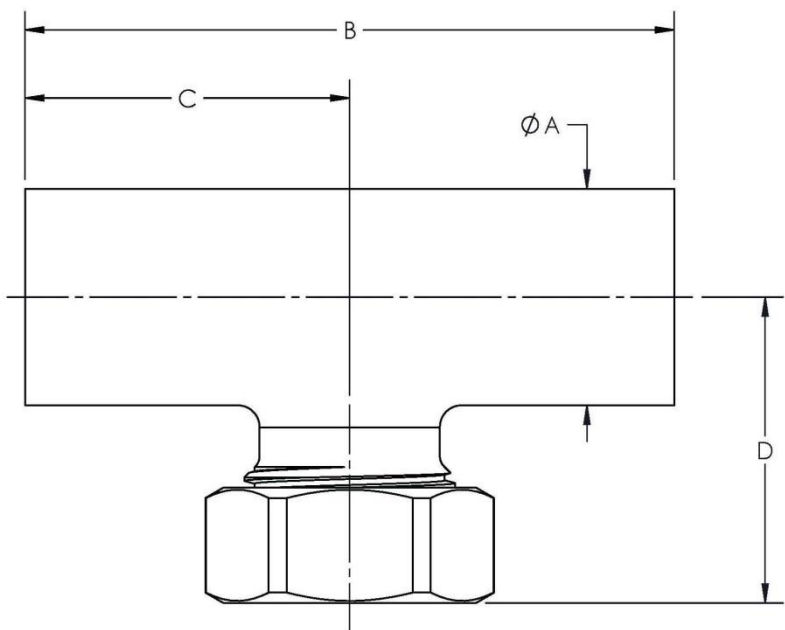




# TruStream Weld Inspection Tees (with Hex Nut)



Component	Part Number	Diameter	B	D
TruStream7	215071	1.0"	3.75"	1.9"
	215075	1.5"	4.50"	2.1"
	215077	2.0"	6.00"	2.4"
	215079	2.5"	6.00"	2.6"
	215085	3.0"	6.50"	2.9"
	215089	4.0"	7.75"	3.4"

Material: 316L Stainless Steel  
Roughness:  $\leq 20$  Ra (Internal)

