

# Alfa Laval HL8 WideGap

## Gasketed plate heat exchanger for hygienic applications

### Introduction

Alfa Laval hygienic WideGap plate is specially designed to handle viscous liquids and liquids including fibres and particles for the hygienic applications.

The wide gap between the plates, the plate pattern forming open channels and the specially designed port allow fluids with fibres and particles to easily flow through the heat exchanger.

The hygienic WideGap plate could be configured with different channel gaps to optimise the process, depending on the fluid characteristics. This also allows for the possibility to increase heat recovery by having product on both hot and cold side. Direct exchange like this, without having to use a water loop in between, increases the heat transfer efficiency significantly.

### Applications

- Food, Dairy and Beverages

### Benefits

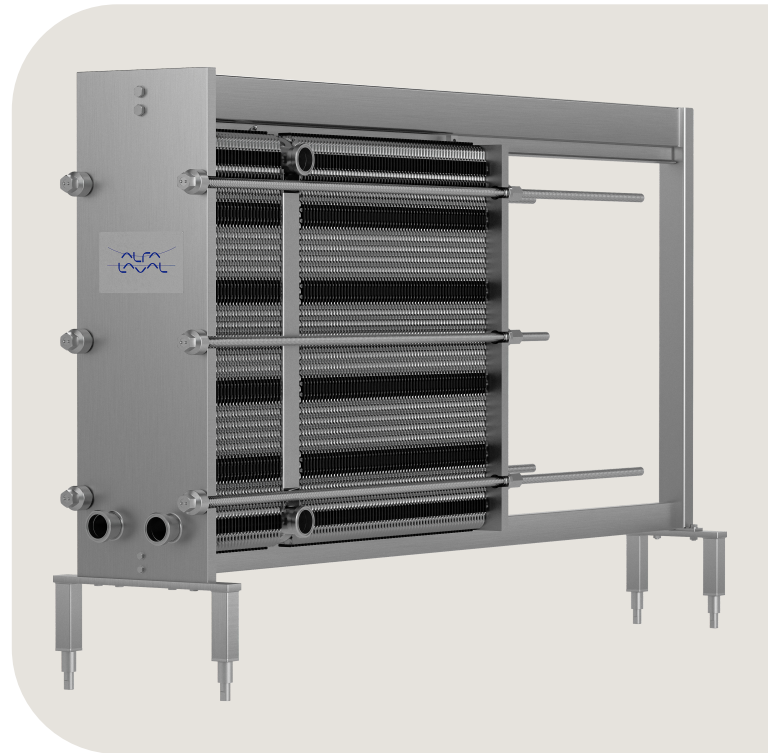
- Superior hygienic standards for product containing fibres and particles
- Superior hygienic standards – plates designed with food safety as top priority
- Gentle treatment of sensitive products
- Uncompromising cleanliness
- Superior distribution for long running hours
- Flexible configuration – possible to rebuild the heat exchanger

### Features

Every detail is carefully designed to ensure the highest hygienic standards, gentle product treatment and efficient cleaning. Selection of available features, depending on configuration some features may not be applicable:



- Five-point alignment
- Corner guided alignment system
- SmoothPort™
- Clip-on gasket
- Leak chamber
- Bearing boxes
- Key hole bolt opening



- Pressure plate roller
- Connection plate roller
- Interchangeable corners
- Hygienic adjustable feet
- OpenChannel™

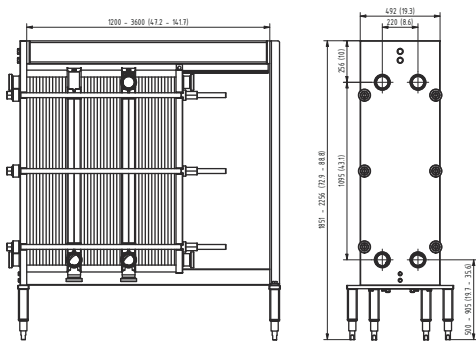
### Alfa Laval 360° Service Portfolio

Our extensive service offering ensure top performance from your Alfa Laval equipment throughout its life cycle. The Alfa Laval 360 Service Portfolio include installation services, cleaning and repair as well as spare parts, technical documentation and trouble shooting. We also offer replacement, retrofit, integrity testing, monitoring and much more.

For information about our complete service offering and how to contact us - please visit [www.alfalaval.com/service](http://www.alfalaval.com/service).

## Dimensional drawing

Measurements mm (inches)



## Technical data

Plates	Type	Free channel, mm (inches)
WG	Wide-gap	7.5 (0.30) wide/wide 9.5/ 5.5 (0.37/0.22) wide/narrow

## Materials

Heat transfer plates	Alloy 316
Field gaskets	NBR, EPDM
Frame and pressure plate	Cladded stainless steel

Other materials may be available on request.

The plate heat exchanger can be manufactured according to 3A certification.

The gaskets are produced in compliance with the regulations of FDA.

## Operational data

Frame type	Max. design pressure barg (psig)	Max. design temperature °C (°F)
PED	10.0 (145)	160 (320)
ALS	11.0 (159)	160 (320)

Extended pressure and temperature rating may be available on request.

## Connections

Clamp, SMS, DIN (unions and flanges), BS/RJT, FN1, and IDF/ISO.

## General remarks for technical information

- The global offering presented in this leaflet may not be available for all regions
- All combinations may not be configurable

This document and its contents are subject to copyrights and other intellectual property rights owned by Alfa Laval AB (publ) or any of its affiliates (jointly "Alfa Laval"). No part of this document may be copied, re-produced or transmitted in any form or by any means, or for any purpose, without Alfa Laval's prior express written permission. Information and services provided in this document are made as a benefit and service to the user, and no representations or warranties are made about the accuracy or suitability of this information and these services for any purpose. All rights are reserved.