

I Application

Ball valves A640, whether manually or automatically operated, are used mainly with viscous fluids containing solid particles, and, generally, in applications requiring an unobstructed flow. Suitable for the food-processing, beverage, wine-making, oil-making, cosmetic and chemical industries.

The ball valve can be operated automatically with an actuator or manually with a handle. The handle blocks the valve in the "open" or "closed" position. The actuator transforms the axial movement of the piston into a 90° rotary movement which it transmits to the ball.

I Design and features

Compact and robust design.

Easily interchangeable manual handles and pneumatic or electrical actuators.

Low pressure losses.

Body halves interchangeable with any connection type.

I Technical specifications

Operating limits:

Working temperature (EPDM)	-10 °C to +120°C	14 °F to 248 °F
Temperature SIP, max. 30 min.	+140 °C	284 °F
Minimum working pressure	Vacuum	Vacuum
Maximum working pressure	10 bar (DN 25 - DN 65)	145 PSI (OD 1" - OD 2 1/2")
	8 bar (DN 80 - 100)	116 (OD 3" - OD 4")

Materials:

Ball	1.4404 (AISI 316L)
Body halves	1.4404 (AISI 316L)
Other St. St. parts	1.4301 (AISI 304)
Ball guide	PTFE
Gasket	EPDM, NBR or FPM

Surface finish:

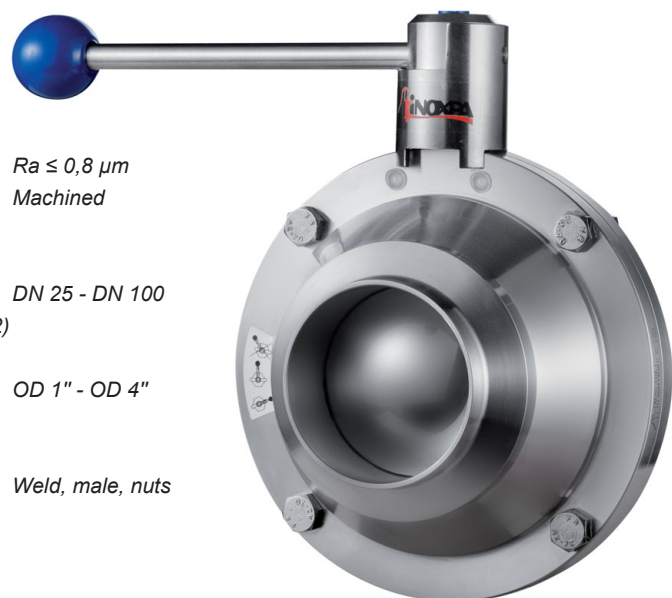
Internal	$Ra \leq 0,8 \mu m$
External	Machined

Available sizes:

DIN EN 10357 series A (previously DIN 11850 series 2)	DN 25 - DN 100
--	----------------

ASTM A269/270 (corresponds to OD pipe)	OD 1" - OD 4"
---	---------------

Connections	Weld, male, nuts
-------------	------------------



I Technical specifications

DN	25	40	50	65	80	100
Dry torque* [Nm]	10	12	18	20	25	35

OD	1"	1 ½"	2"	2 ½"	3"	4"
Dry torque* [Nm]	10	12	18	20	25	35

*For rotating the valve ball in a dry seal ring

I Technical specifications: handles and actuators

Handles:

Two positoin handle 1.4301 (AISI 304) + plastic (PF31)

Actuator:

Housing 1.4307 (AISI 304L)

Support 1.4301 (AISI 304)

Air pressure 6-8 bar

Air connection G 1/8 (Ø6 pipe)

Air consumption

Actuator	Single-acting	Double-acting
A940 - T1	1,3	3,4
A940 - T2	2,1	4,9
A940 - T3	6,3	15,5

Compressed air consumption at $P_{rel}=6$ bar (litres N/cycle)

Standard assembly

Valve	A940 - T1	A940 - T2	A940 - T3
A640	DN 25	DN 40 a 65	DN 80 a 100
	OD 1"	OD 1½" a 2½"	OD 3" a 4"

I Options

Valve in AISI 304.

Different handle types.

Single- or double-acting pneumatic actuator or electrical actuator.

Electropneumatic positioner.

Inductive position sensors

C-TOP S control head.

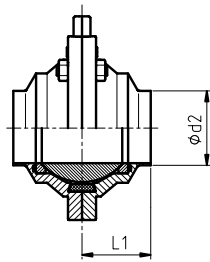
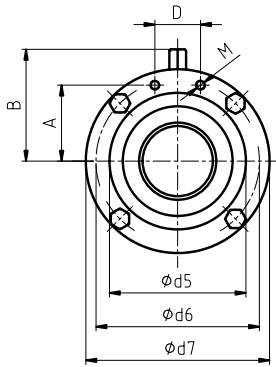
Cleaning and drainage ports.

Third hole.

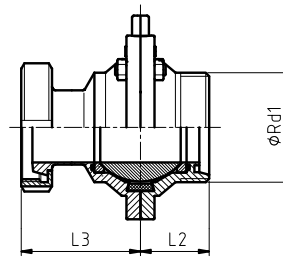
ATEX version available.



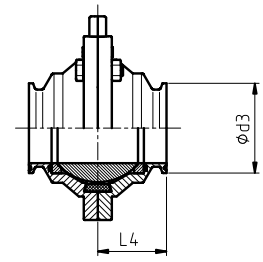
I Dimensions



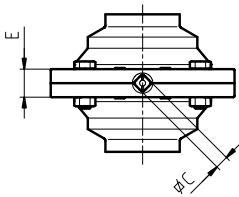
DIN 10357 Series A



DIN 11851



DIN 32676



10.110.32.0016

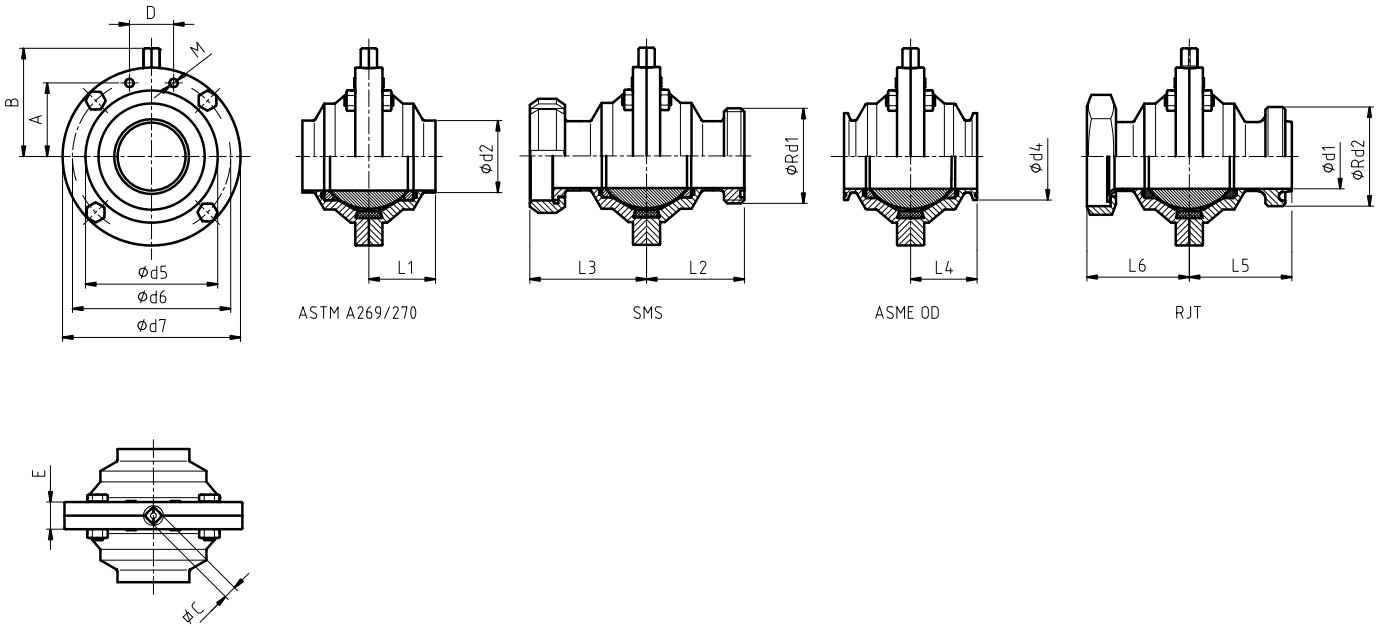
DN	Valve									Connection							Weight (kg)*	
	Ød5	Ød6	Ød7	A	B	C	D	E	M	Ød1	Ød2	ØRd1	Ød3	L1	L2	L3		L4
25	61	79,5	94	35,2	60,7	9,4	32,5	20	M5	26	29	Rd 52 x 1/6"	50,5	36	36	66	36	1,3
40	80	99	114	45,5	71	9,4	32,5	20	M5	38	41	Rd 65 x 1/6"	50,5	42	42	76	42	2,1
50	97,5	116,5	131	54,2	79,7	9,4	32,5	20	M5	50	53	Rd 78 x 1/6"	64	49	49	85	49	3,1
65	124,5	143,5	158	67,7	93,2	9,4	32,5	20	M5	66	70	Rd 95 x 1/6"	91	60	60	101	60	5,4
80	147	166	181	78,7	104,2	12	50	30	M6	81	85	Rd 110 x 1/4"	106	70	70	120	70	8,5
100	175	194	209	92,8	118,3	12	50	30	M6	100	104	Rd 130 x 1/4"	119	82	82	137	82	13,3

*Weld connection



FT.A640.1.EN_0920

I Dimensions



10.110.32.0017

OD	Valve									Connection							Weight (kg)*	
	Ød5	Ød6	Ød7	A	B	C	D	E	M	Ød1	Ød2	Ød4	ØRd2	L1	L4	L5		L6
1"	61	79,5	94	35,2	60,7	9,4	32,5	20	M5	22,1	25,4	50,5	Rd 45,72 x 1/8"	36	36	62,5	61,5	1,4
1½"	80	99	114	45,5	71	9,4	32,5	20	M5	34,8	38,1	50,5	Rd 58,42 x 1/8"	42	42	68,5	69	2,2
2"	97,5	116,5	131	54,2	79,7	9,4	32,5	20	M5	47,5	50,8	64	Rd 72,72 x 1/6"	49	49	75,5	75,4	3,3
2½"	124,5	143,5	158	67,7	93,2	9,1	32,5	20	M5	60,2	63,5	77,5	Rd 85,42 x 1/6"	60	60	86,5	88	5,8
3"	147	166	181	78,7	104,2	12	50	30	M6	72,9	76,2	90,9	Rd 98,12 x 1/6"	70	70	96,5	98,5	9,4
4"	175	194	209	92,8	118,3	12	50	30	M6	97,4	101,6	119	Rd 123,52 x 1/6"	82	82	109	112	13,9

*Weld connection

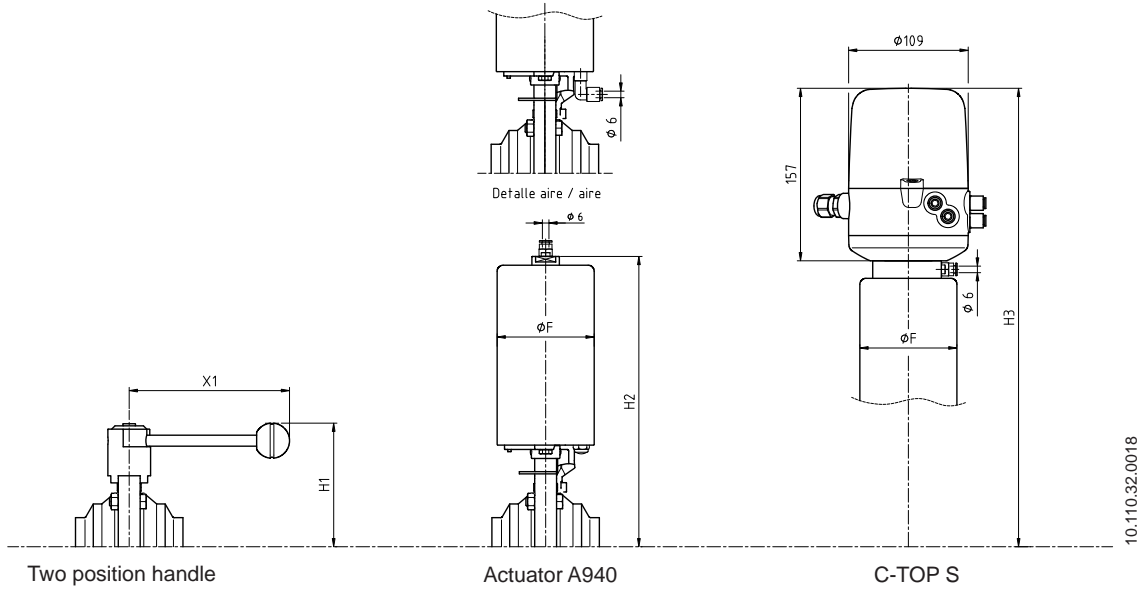
SMS	Connection				Weight (kg)*
	Ød3	ØRd1	L2	L3	
25	22,5	Rd 40 x 1/6"	55	63,5	1,5
38	35,5	Rd 60 x 1/6"	65	79	2,6
51	48,5	Rd 70 x 1/6"	72	86	3,7
63,5	60,5	Rd 85 x 1/6"	87	105	6,5
76	72,9	Rd 98 x 1/6"	97	115	10,3
101,6	97,6	Rd 132 x 1/6"	117	144	16,5
104	100	Rd 125 x 1/4"	112	132	14,4

*Male connection



FT.A640.1.EN_0920

I Dimensions



10.110.32.0018

Handles and actuators								
DN / OD	H1	X1	T1 (ØF = 76)		T2 (ØF = 88,5)		T3 (ØF = 135)	
			H2	H3	H2	H3	H2	H3
25	94	146	224	388	-	-	-	-
40	104	146	-	-	256	420	-	-
50	112	146	-	-	265	429	-	-
65	126	146	-	-	278	443	-	-
80	142	175	-	-	-	-	345	510
100	156	175	-	-	-	-	359	534

Handles and actuators								
OD	H1	X1	T1 (ØF = 76)		T2 (ØF = 88,5)		T3 (ØF = 135)	
			H2	H3	H2	H3	H2	H3
1"	94	146	224	388	-	-	-	-
1 ½"	104	146	-	-	256	420	-	-
2"	112	146	-	-	265	429	-	-
2 ½"	126	146	-	-	278	443	-	-
3"	142	175	-	-	-	-	345	510
4"	156	175	-	-	-	-	359	534

