

PRODUCT CATALOG 2021

KEOFITT CLASSIC INGOLD

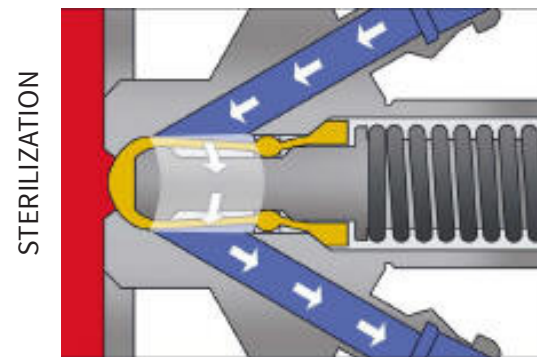
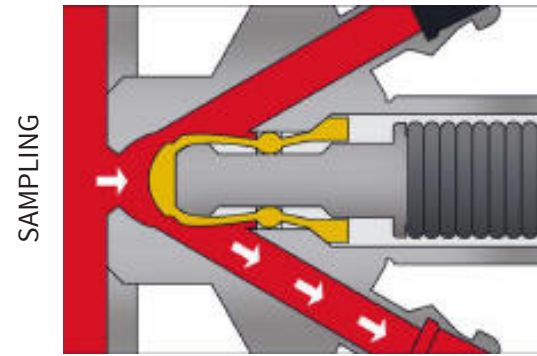


KEOFITT®
WORLD LEADERS IN STERILE SAMPLING™



www.sks-online.com

HOW IT WORKS



KEOFITT CLASSIC "INGOLD" SAMPLING VALVE

The KEOFITT CLASSIC "INGOLD" sampling valve is designed to fit bio-connectors type Ingold®. Designed for the sampling of medium viscosity products in the range of 0-1000 cP with particles less than 2 mm in diameter, it covers most needs for liquid sampling. Sampling of more viscous liquids is possible, only will it take longer (depending on process pressure).

This valve is used in a range of industries such as brewery, dairy, pharmaceutical and bio-tech for products such as:



- Medical solutions
- Filtered Beer
- Creams and lotions
- Unprocessed milk

Besides the selection of the Valve Body and the Valve Head there are three different membrane materials to choose from: Silicone, EPDM and PTFE.




Accessories include quick couplings for the connection of tubing, piping and more.



KEOFITT CLASSIC “INGOLD” SAMPLING VALVE - BODIES

		STANDARD FOR 40 MM PORT LENGTH*	
INGOLD BODIES	HOSE PIECE	<i>On request</i>	<i>On request</i>
	MINI TRI-CLAMP	 <p>310002</p>	 <p>310005</p>
	WELDING LINER	<i>On request</i>	<i>On request</i>

* OTHER PORT LENGTH - AVAILABLE ON REQUEST

		STANDARD FOR 52 MM PORT LENGTH*	
INGOLD BODIES	HOSE PIECE	<i>On request</i>	<i>On request</i>
	MINI TRI-CLAMP	 <p>320002</p>	 <p>320005</p>
	WELDING LINER	<i>On request</i>	 <p>320007</p>

* OTHER PORT LENGTH - AVAILABLE ON REQUEST

KEOFITT CLASSIC "INGOLD" SAMPLING VALVE - HEADS

		TYPE H TURN KNOB 0-10 BAR(G)		TYPE Q LEVER HANDLE 0-10 BAR(G)		TYPE N LEVER HANDLE PNEUMATIC 0-10 BAR(G)		TYPE N PNEUMATIC, ADJUSTABLE 0-10 BAR	
		SILICONE		EPDM		PTFE		On request	
INGOLD HEADS								On request	
		310041	320041	310043	320043	310044	320044		
									
	310041E	320041E	310043E	320043E	310044E	320044E			
							On request		
	315541	325541	315543	325543	315544	325544			

KEOFITT CLASSIC "INGOLD" - PARTS & ACCESSORIES

W9™ INGOLD PARTS & ACCESSORIES

	O-RINGS												
	 300118 EPDM 20.24X2.62	 300119 20.24X2.62 FDA	 550184 FESTO										
	 310051 SILICONE (I40)	 310052 EPDM (I40)	 310055 PTFE (I40)	 320051 SILICONE (I52)	 320052 EPDM (I52)	 320055 PTFE (I52)							
	 300021 CLAMP PTFE 10/8	 550004 PTFE TC 0.5M	 550005 PTFE TC 1.0M	 800014 ADAPTER MINI CLAMP /1" CLAMP	 800083 QC TC	 900013 MINI CLAMP SPIKE	 900096 ADAPTER HP/TC	 900097 ADAPTOR M4 HP/TC					
	 300255 TOOL PTFE (I40/I52)	 600149 BUSHING	 600170 LEVER HANDLE Q/N	 600370 LEVER HANDLE SELF-CLOSING	 900074 GASKET EPDM 3/4"	 900087 GASKET EPDM 1/2"	 550002.2 PTFE TUBING W/QC/TC 0.5M	 550003.2 PTFE TUBING W/QC/TC 1 M	 900018 TOMMY BAR	 850840 PINOL SCREW F/W9 HEAD			
	 320530 ADAPTOR 30MM (I52)	 320540 ADAPTOR 40 MM (I52)	 320830 ADAPTOR PTFE 50MM (I52)	 900075 CLAMP RING 1/2"	 900021 BLIND CAP FOR MINI CLAMP	 700108 HOSE PIECE W9	 400166 PROXIMITY SWITCH FOR M4/W9	 600266 PROXIMITY SENSOR W9 - CLOSED POS.	 600267 PROXIMITY SENSOR MOUNTING KIT W9				