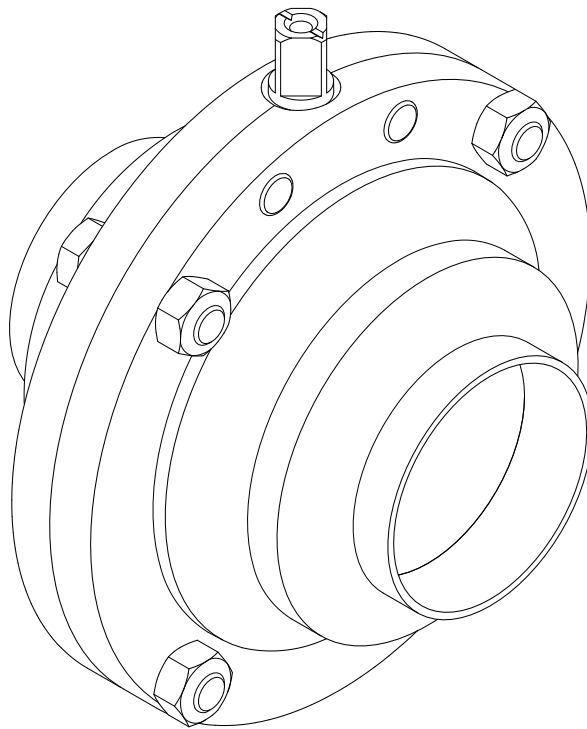


INSTALLATION, SERVICE AND MAINTENANCE INSTRUCTIONS

BALL VALVE

A640



10.010.32.0024



EC Declaration of Conformity



INOXPA S.A.U.

Telers, 60
17820 - Banyoles (Spain)

hereby declare under our sole responsibility that the

Machine: **VALVE**

Model: **BALL**

Type: **A640**

Size: **DN 25 - DN 100 / OD 1" - OD 4" / SMS 25 - SMS 104**

Serial number: **IXXXXXX o XXXXXXXXXIIN**

fulfills all the relevant provisions of the following directive:

Machinery Directive 2006/42/EC¹
Pressure Equipment Directive 2014/68/EU
Regulation (EC) n° 1935/2004
ATEX Directive 2014/34/EU²



II 2G Ex h IIB T4 Gb
II 2D Ex h IIIB T125°C Db

and with the following harmonized standards and/or regulations:

**EN ISO 12100:2010, EN 1127-1:2019, EN ISO 13732-1:2008, EN 1672-2:2005+A1:2009,
EN 1127-1:2019², EN 13237:2012², EN 15198:2007², EN ISO 80079-36:2016², EN ISO
80079-37:2016², EN IEC 60079-0:2018², EN 19:2016, EN 12266-1:2012**

The technical file has been prepared by the signer of this document.

A copy of the technical file is in the possession of the notified body L.C.I.E. with reference number 0081

David Reyero Brunet
Technical Office Manager
9th December 2020



Document: 10.110.30.02EN
Revisión: (A) 2020/12

1) A480/A490 with pneumatic actuator A940 series

2) A480/A490 that bears the specific marking of explosion protection and with the following drives: two positions handle, actuator A940 series

1. Table of Contents

1. Table of Contents	
2. Generalities	
2.1. Instructions manual.....	4
2.2. Compliance with the instructions	4
2.3. Warranty.....	4
3. Safety	
3.1. Warning symbols.....	5
3.2. General safety instructions	5
4. General Information	
4.1. Description	7
4.2. Application.....	7
4.3. Scope of the ATEX certification.....	7
5. Installation	
5.1. Reception of the valve	8
5.2. Transport and storage.....	8
5.3. Identification of the valve	8
5.4. Location	10
5.5. General installation	10
5.6. Checking and review.....	10
5.7. Welding.....	11
5.8. Connecting the air to actuator.....	12
6. Start-up	
6.1. Operating with two-position handle.....	14
7. Operating problems	
8. Maintenance	
8.1. General considerations	16
8.2. Maintenance	16
8.3. Cleaning.....	17
8.4. Disassembly and assembly the valve	19
8.5. Disassembly and assembly of the ball.....	20
8.6. Disassembly and assembly of the manual drive.....	21
8.7. Disassembly and assembly of the pneumatic drive	22
8.8. Fitting the seat seal.....	23
8.9. Actuator fitting options.....	23
8.10. Valve position.....	23
9. Technical Specifications	
9.1. Valve	24
9.2. Actuator.....	24
9.3. Materials	25
9.4. Sizes available	25
9.5. Tightening torque	25
9.6. Weight of the ball valve A640.....	25
9.7. Dimensions of the ball valve A640 with two positions handle	26
9.8. Dimensions of the ball valve A640 with actuator.....	26
9.9. Dimensions of the ball valve A640 with actuator and C-TOP S	27
9.10. Exploded drawing and parts list of the ball valve A640.....	28

2. Generalities

2.1. INSTRUCTIONS MANUAL

This manual contains information about the reception, installation, operation, assembly and maintenance of the ball valve A640.

Carefully read the instruction prior to starting the valve, familiarize yourself with the installation, operation and correct use of the valve and strictly follow the instructions. These instructions should be kept in a safe location near the installation area.

The information published in the instruction manual is based on updated data.

INOXPA reserves the right to modify this instruction manual without prior notice.

2.2. COMPLIANCE WITH THE INSTRUCTIONS

Not following the instructions may impose a risk for the operators, the environment and the machine, and may cause the loss of the right to claim damages.

This non-compliance may cause the following risks:

- failure of important machine/plant functions,
- failure of specific maintenance and repair procedures,
- possible electrical, mechanical and chemical hazards,
- the risk to the environment due to the type of substances released.

2.3. WARRANTY

The conditions of the warranty are specified in the General Sales Condition that has been delivered at the time of placing your order.



The machine may not undergo any modification without prior approval from the manufacturer.

For your safety, only use original spare parts and accessories. The usage of other parts will relieve the manufacturer of any liability.

Changing the service conditions can only be carried out with prior written authorization from INOXPA.

Please do not hesitate to contact us in case of doubts or if further explanations are required regarding specific data (adjustments, assembly, disassembly, etc.).

3. Safety

3.1. WARNING SYMBOLS



Safety hazard for people in general and/or equipment



Important indications for explosion protection

ATTENTION

Important instruction to prevent damage to the equipment and/or its function

3.2. GENERAL SAFETY INSTRUCTIONS



Read the instruction manual carefully before installing and starting the valve. Contact INOXPA in case of doubt.

3.2.1. During installation



Always take into account the [Technical Specifications of chapter 9](#).

The installation and use of the valve should always be in accordance with applicable regulations in regarding to health and safety.

Before starting up the valve, check that it is assembled correctly and its shaft is perfectly aligned. Incorrect alignment and/or excessive stress during coupling can cause serious mechanical problems in the valve.



Do an earth connection of the valve in order to ensure electrical continuity between pipes and valves to reduce a risk caused by the static electricity.

3.2.2. During operation



Always take into account the [Technical Specifications of chapter 9](#).

NEVER exceed the specified limit values.

NEVER touch the valve and/or piping that is in contact with the fluid during operation. If the process involves hot products there is a risk of burns.

The valve contains parts that move in a linear fashion. Do not place hands or fingers in the valve closing area. This can cause serious injury.



NEVER exceed limit values of the working conditions in explosive atmospheres.

The valve and/or the actuator have been selected according to the working conditions specified by the customer. INOXPA is not responsible for damages caused by using the valve in different working conditions than those expressed by the customer.

3.2.3. During maintenance

Always take into account the [Technical Specifications of chapter 9](#).

NEVER disassemble or remove the valve until the pipes have been emptied. Bear in mind that the fluid in the pipe may be hazardous or extremely hot. Consult the regulations in effect in each country for these cases.



Inside the actuator there is a spring with an applied load. The steps specified in this manual must be followed when performing maintenance operations to avoid injury.

Do not leave loose parts on the floor.



All assembly/disassembly works of the valve and/or actuator that be carried out in explosive atmospheres or in places where can be generated must be carried out by authorised personnel to work in explosive atmospheres.

4. General Information

4.1. DESCRIPTION

The ball valve A640 is a hygienic valve which incorporates a perforated ball inside the body. The perforated ball allows the flow of a fluid. It can be manual or automatic drive. With both drives.

The valve can be manual or automatic drive. A two-position handle is used for the manual drive and an actuator is used for the automatic drive. The two-position handle blocks the valve in the open or close position and the actuator transforms the axial movement of the piston into a 90° rotary movement which it transmits to the ball.

The design of the valve allows for easy inspection and simple maintenance.

4.2. APPLICATION

The ball valves can be used with viscous fluids or fluids with solids in suspension in the food-processing, beverage, wine, oil, cosmetic and chemical industries.

4.3. SCOPE OF THE ATEX CERTIFICATION

Only are compliant to the essential health and safety requirements of ATEX Directive 2014/34/EU the valves that bear the specific marking of explosion protection and the valves fitted with two position handle or air operated actuator A940 series, all of them INOXPA brand.

The manufacturer of an assembly consisting of different compliant pieces of equipment or components as defined by ATEX Directive 2014/34/EU, must perform his own risk assessment of the assembly and fulfil with all the obligations of manufacturers that are required in the ATEX Directive 2014/34/EU.

5. Installation

5.1. RECEPTION OF THE VALVE



INOXPA is not liable for any deterioration of the material caused by its transport or unpacking



Check that the valve and/or actuator adjust at the requests working conditions and the classified explosive atmosphere.

When receipt the valve, check to see whether all the parts listed on the delivery slip are present:

- complete valve
- its components if any are supplied,
- instruction manual.

INOXPA inspects all its equipment before packaging. However, it cannot guarantee that the merchandise arrives at the user intact.

When unpacking the valve:

- remove any possible traces of packaging from the valve or its parts,
- inspect the valve or the parts that comprise it for possible damage incurred during shipping,
- take all possible precautions against damage to the valve and its components.

5.2. TRANSPORT AND STORAGE



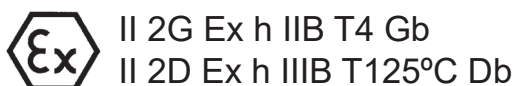
The buyer or user shall be liable for assembly, installation, start-up and operation of the valve.

Take all possible precautions when transport and storage the valve to avoid damage it and its components..

5.3. IDENTIFICATION OF THE VALVE

Each valve and each actuator is inscribed a fabrication number for its identification and also, the valves that fulfil the ATEX Directive 2014/34/EU bear the specific marking of explosion protection. Indicate the fabrication number on all documents to refer to the valve.

The specific marked for the explosion protection for the valve and/or actuator is:



VA	64	0	-	00	06	52	050
							Size
							025 DN 25, OD 1"
							040 DN 40
							045 OD 1½"
							050 DN 50, OD 2"
							063 OD 2½"
							065 DN 65
							076 OD 3"
							080 DN 80
							100 DN 100, OD 4"
							Material of seat seals
							40 HNBR
							52 EPDM
							78 FPM
							Material
							04 1.4307 (AISI 304L)
							06 1.4404 (AISI 316L)
							Connexions
							00 weld/weld
							10 male/weld
							11 male/male
							77 clamp/clamp
							Standard pipe
							0 DIN
							1 OD
							Type
							64 ball valve A640
Product family							
VA valve							

5.4. LOCATION

Place the valve leaving enough space around it to realize easily the dismantling, the inspection and the review the valve as well as in order to access to the actuator air connection's device for valves with automatic actuation even when the valve is operating. Consult in chapter 5.7. **Welding** the required minimum distances. The installation should allow that the removable parts are could remove easily.

5.5. GENERAL INSTALLATION

After the location of the valve is defined, the valve can be joined to the pipe by welding the valve housing or using fittings.

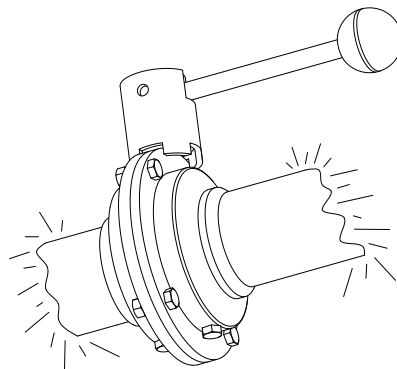


Ground the assembly to ensure electrical continuity between pipes and valve to reduce the danger from static electricity.

In case of joining the valve to the pipe by fittings do not forget the seals and tighten the unions properly.

During installation, the valve avoids using excessive force and pay special attention to:

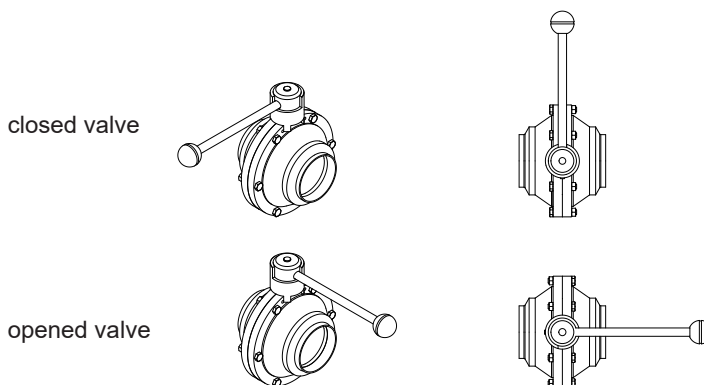
- vibrations that may be produced on the facility,
- thermal dilation that the pipe may undergo when hot fluids are circulating,
- the weight that the pipe can support,
- excessive welding current.



5.6. CHECKING AND REVIEW

Perform the following checks before using the valve:

- open and close the valve several times in order to ensure that it works properly and check that the butterfly smoothly connects up to the coupling.
- if the valve is fitted with a pneumatic drive, apply the compressed air several times checking to make sure that the valve carries out the opening and closing action without difficulty.



5.7. WELDING



Welding work should only be done by qualified persons who are trained and equipped with the necessary equipment to perform this kind of work.



If possible, do the welding work in areas not classified as potentially explosive atmospheres. If it is not possible, the welding work in areas classified as potentially explosive atmospheres must be carried out by authorised personnel to work in explosive atmospheres.

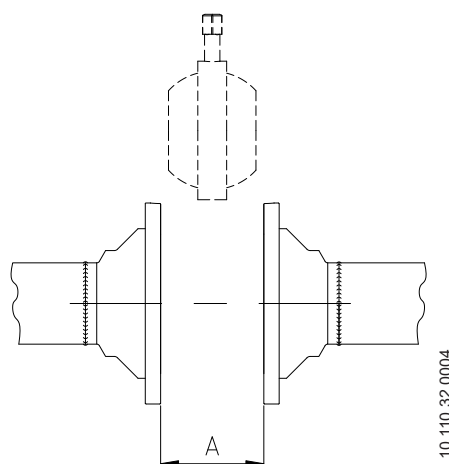
For the welding works on the SMS size values, consult the size equivalences in chapter 8.2.3. [Spare parts](#).

5.7.1. Ball valve A640 welding/welding

To perform the welding works:

- disassemble the valve as indicated in chapter 8.5. [Disassembly and assembly of the ball](#),
- weld the two valve bodies to the pipes maintaining the distance indicated in the following table, dimension A. This will allow an axial movement of the internal part of the valve necessary in order to disassemble the internal pieces (disc and seat seal).
- Mount the valve following the instructions indicated in chapter 8.5. [Disassembly and assembly of the ball](#).

DN	A
25 - 1"	36
40 - 1½"	47
50 - 2"	59
65 - 2½"	76
80 - 3"	92
100 - 4"	112



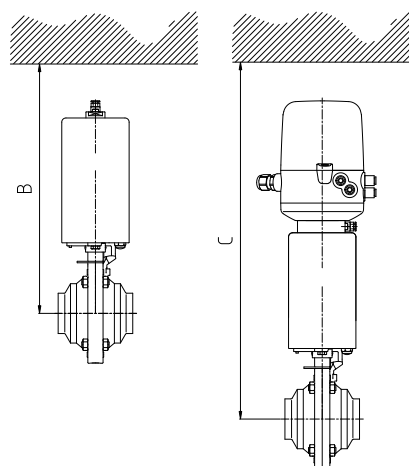
5.7.2. Ball Valve A640 with pneumatic drive



If the actuator is not supplied by INOXPA, it must comply with the specifications of ATEX Directive 2014/34/EU and you will have to fulfil the supplier's specifications.

To perform the welding works on valves with the pneumatic drive should be maintained, in addition to the dimension mentioned in chapter above, a distance which allows disassembly the pneumatic drive and the control head. The minimum distances that must be kept are indicated in the following table, dimension B for valves with a pneumatic drive or dimension C for valves with a pneumatic drive and control head.

DN	B	C
	Actuator	Actuator + C-TOP S
25 - 1"	331	371
40 - 1½"	373	413
50 - 2"	391	431
65 - 2½"	417	457
80 - 3"	496	536
100 - 4"	524	564

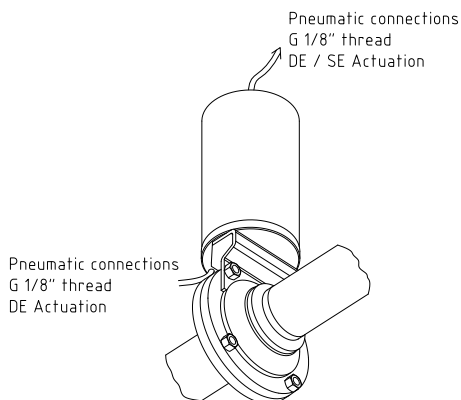


10.110.32.0005

5.8. CONNECTING THE AIR TO ACTUATOR

To perform the air connection to the actuator:

- Connect and check the air connections (G 1/8" thread for tubing Ø6 mm) with thread in accordance with double-effect or simple effect needs.
- Correctly orient the actuator and disc depending whether an NO/NC is required. By turning the butterfly 90° achieves one or the other solution.
- Mind the quality of the compressed air according to the specifications described in chapter 9. [Technical Specifications](#).



10.110.32.0023

6. Start-up



Read carefully the instructions in chapter 5. [Installation](#) before start-up the valve.



Before to start-up, the persons in charge must be duly informed about how the valve works and the safety instructions to follow. This instruction manual will be available to personnel at all times.



Check that the valve and/or actuator are in accordance with the working conditions specified by the customer and with the potentially explosive atmosphere classified. Do an earth connection of the valve in order to ensure electrical continuity between pipes and valves to reduce a risk caused by the static electricity. NEVER remove the handle of the valve because it would remain electrically isolated.

Before putting the valve or the actuator into service the following must be taken into consideration:

- check that the piping and valve are completely free of possible traces of welding slag or other foreign particles. Clean the system if is necessary,
- Check to make sure the valve moves smoothly. If necessary, lubricate it with special grease or soapy water,
- Check for possible leaks, and make sure the pipes and their connections are sealed and do not have any leaks,
- If the valve has been supplied with an actuator, make sure that the alignment of the valve shaft and the actuator shaft enables smooth movement,
- check that the compressed air pressure at the inlet of the actuator matches what is indicated in chapter 9. [Technical Specifications](#),
- consider the quality of the compressed air, according to the specifications described in chapter 9. [Technical Specifications](#),
- Activate the valve.

ATTENTION



Do not modify the operating parameters for which the valve has been designed without prior written authorisation from INOXPA.

Do not touch the moving parts of the coupling between the actuator and the valve when the actuator is connected to the compressed air supply.



¡Burn hazard! Do not touch the valve or the pipes when hot fluids are circulating or when cleaning and/or sterilization are being carried out.



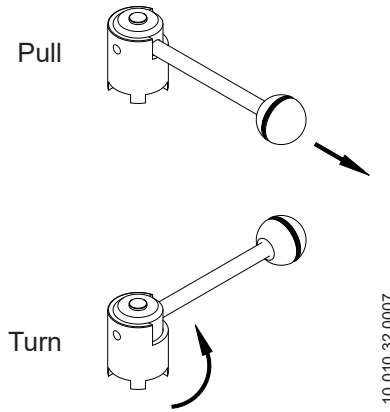
Do not modify the operating parameters for which the valve has been designed without prior written authorisation from INOXPA.

The valve and/or the actuator have been selected according to the working conditions specified by the customer. INOXPA is not responsible for damages caused if the information provided by the customer as nature of the liquid, viscosity, the classification of the potentially explosive atmosphere, etc. is incomplete or incorrect.

6.1. OPERATING WITH TWO POSITION HANDLE

The two position handle allows operating the valve manually in the on/off position. To manoeuvre the handle follow the following instructions.

- pull the handle outwards,
- while pulling the handle turn it 90°.



7. Operating problems

External leak. The product is leaking at the shaft		
Internal product leak (closed valve)		
The valve is jerking		
The valve does not open/close		
Water hammer		
PROBABLE CAUSES	SOLUTIONS	
The seal has completely worn or is deteriorated	- Replace the seal - Change the seals for others made of a different material more suitable to the product	
Normal wear and tear of the seat seals	- Replace the seals	
Premature wearing of seals	- Change the seals for others made of a different material more suitable to the product - Tighten loose parts - Clean frequently - Decrease valve opening/closing frequency	
		Seal worn or affected by the product
		Excessive pressure on the line
		Work temperature too high (nuts and screws)
Loss of impenetrability (vibrations)		
High manoeuvre periodicity (num. operations/tour)		
The seals are jamming up	- Lubricate with soapy water or lubricant suitable with the gasket material and the product	
The actuator does not operate the valve efficiently	- Check the supply pressure of the compressed air - Replace with a larger sized actuator	
Excessive pressure on the line	- Check the installation pressure and adjust whenever necessary	
Deformation of the seal	- Replace the seals with others of different quality, if prematurely deteriorated	
Incorrect operation of the actuator	- Replace from NC to NO	
Worn actuator components	- Check the actuator	
Dirt in actuator	- Check the compressed air pressure	
The valve closes too fast	- Adjust the closing speed of the actuator with a flow regulator	

8. Maintenance

8.1. GENERAL CONSIDERATIONS

This valve, just like any other machine, requires maintenance. The instructions in this chapter cover the maintenance of the valve, the identification and replacement of the spare parts and the disassembly and assembly of the valve. The instructions are aimed at maintenance personnel and those responsible for the supply of spare parts.



Read carefully the chapter [9. Technical Specifications](#).

Maintenance work should only be done by qualified persons who are trained and equipped with the necessary equipment to perform this kind of work.

All replaced material should be duly disposed or recycled according to the directives in effect in each area.

Make sure that the pipes are not under pressure before starting maintenance work.



The assembly and disassembly of the valve and/or actuator must be carried out by authorised personnel to work in explosive atmospheres.

When the valve is supplied without manual drive, actuator or head control and the customer want to install one of them, they will have to fulfil with the regulations of the ATEX Directive 2014/34/UE.

8.2. MAINTENANCE

To perform maintenance properly is recommended:

- periodic inspection of the valve and its components,
- keeping an operational record of each valve writing down any problems,
- always having spare replacement seals in stock.

Pay special attention to the hazard warnings indicated in this manual during the performance of the maintenance work.



Do not touch the moving parts when the actuator is connected to the compressed air.

The valve and the pipes must never be under pressure during maintenance.

⚠ Burn hazard! Do not touch the valve or the pipes when hot fluids are circulating or when cleaning and/or sterilization are being carried out.

Keep in mind that the springs are not protected during the disassembly of the actuator for its maintenance or its repair.

8.2.1. Maintenance of the seals

REPLACING SEAL	
Preventive maintenance	Replace after 12 months
Maintenance after a leak	Replace at the end of the process
Planned maintenance	Regularly check the absence of leaks and the smooth operation of the valve. Keep a record of the valve's maintenance. Use statistics for planning inspections.
Lubrication	During assembly, apply lubricants that are suitable with the material of which the seat seal is made

COMPONENTE JUNTA	LUBRICANTE	CLASE NLGI DIN 51818
NBR / FPM	klübersynth UH 1 64-2403	3
EPDM / NBR / FPM	PARALIQ GTE 703	3

The time interval between each preventive maintenance may vary in accordance with the work conditions to which the valve is subject: temperature, pressure, number of operations per day, type of cleaning solutions used, etc.

8.2.2. Storage

The valves should be stored in a closed area under the following conditions:

- temperature between 15°C y 30°C,
- air humidity < 60%

Storage of the equipment in the open air is NOT allowed.

8.2.3. Spare parts



When ordering spare parts for valves and/or actuators which operating in potentially explosive atmospheres you should indicate that to be for valves and/or actuators which operate in ATEX areas and the features of this area. If there is no indicate this information INOXPA is not responsible that the valves and/or actuator operated with parts no suitable for the classified area where is installation.

To request spare parts is necessary to indicate the type of valve, the size, the fabrication number, the position and the description of the part which can be found in chapter 9. [Technical Specifications](#).

The space parts of the valve are being centralized on the DIN EN 10357 Series A and ASTM A269/270. In the following table, there are equivalences between the different types of size.

DIN EN 10357 Series A	ASTM A269/270	SMS
DN 25	-	-
DN 40	-	-
DN 50	-	-
DN 65	-	-
DN 80	-	-
DN 100	-	104
-	OD 1"	25
-	OD 1½"	38
-	OD 2"	51
-	OD 2½"	63,5
-	OD 3"	76
-	OD 4"	101,6

8.3. CLEANING



The use of aggressive cleaning products such as caustic soda and nitric acid may burn the skin.

Wear rubber gloves during all cleaning procedures.

Always wear protective goggles.



Before start the assembly and disassembly works of the valve and/or actuator take account of the presence or possible formation of potentially explosive atmospheres. Clean the external part of the valve and/or actuator in order to avoid an excessive accumulation of dust, combustible or explosive on the external surface of the machine. Don't be allow accumulations of a thickness greater than 2 mm.

8.3.1. CIP (clean-in-place) cleaning

If the valve is installed in a system with a CIP process its disassembly will not be required. EPDM is the standard seal material that will be used for CIP cleaning, both in alkaline mediums and in acid mediums. The materials of the seal NBR and FPM are not recommended.

Two types of solutions can be used for CIP processes:

- a. alkaline solution:** 1% by weight of caustic soda (NaOH) a 70°C (150°F). To make this solution:
 1 kg NaOH + 100 l H₂O¹ = cleaning solution
 2,2 l NaOH al 33% + 100 l H₂O = cleaning solution
- b. acid solution:** 0,5% by weight of nitric acid (HNO₃) a 70°C (150°F). To make this solution:
 0,7 l HNO₃ al 53% + 100 l H₂O = cleaning solution

1) only use chlorine-free water to mix with the cleaning agents

ATTENTION



Check the concentration of the cleaning solutions. An incorrect concentration may lead to the deterioration of the valve seals.

To remove any traces of cleaning products, ALWAYS perform a final rinse with clean water at the end of the cleaning process.



Clean the entire interior and exterior of the valve before starting disassembly and assembly tasks.

8.3.2. Automatic SIP (sterilization-in-place)

Sterilization with steam is applied to all equipment including the pigging.

ATTENTION



Do NOT start the equipment during the sterilization with steam. The parts and the materials will not be damaged if the indications specified in this manual are observed. No cold fluid can enter the equipment until the temperature of the equipment is lower than 60°C (140°F).

Maximum conditions during the SIP process with steam or superheated water:

- a. maximum temperature: 140°C / 284°F
- b. maximum time: 30 min
- c. cooling: sterile air or inter gas
- d. materials: EPDM (the materials NBR and FPM are not recommended)

8.4. DISASSEMBLY AND ASSEMBLY THE VALVE



Proceed with caution. Personal injury can occur.

Always disconnect the compressed air before starting to disassemble the valve.

Never disassemble the valve clamps directly without reading the instructions carefully, since the actuator contains a spring inside it with an applied load.

Valve and actuator assembly and disassembly should only be done by qualified persons.

The following tools are needed in order to disassembly and assembly the valve and the drives:

- two crescent spanners 13 mm for the valve
- a 4 mm allen key for the manual drive
- a crescent spanners 10 mm and an allen key 4 mm for the pneumatic drive



The assembly and disassembly of the valve and/or actuator must be carried out by authorised personnel to work in explosive atmospheres.

8.5. DISASSEMBLY AND ASSEMBLY OF THE BALL



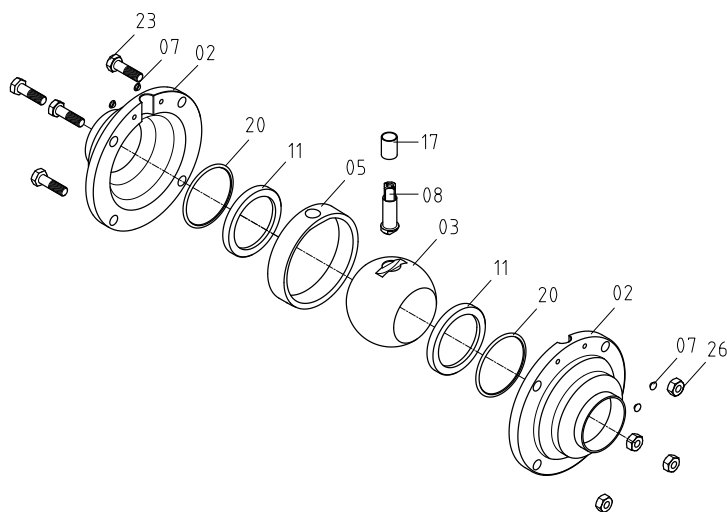
Avoid disassembly the valve in an area defined as a potentially explosive atmosphere because the valve ball is electrically isolated when it has not a drive.

8.5.1. Disassembly

1. Remove the screws (23) and the nuts (26) that join both bodies (02).
2. Separate the bodies (02) and remove the guide bushing (17).
3. Remove the ball (03) and the seat seal (05) with the shaft (08).
4. Remove the ball guides (11) and the O-rings (20) from the bodies (02).
5. Remove the ball (03) and the seat seal (05) from the shaft (08).

8.5.2. Assembly

1. Mount the shaft of the ball (08) to the ball and fit it on the seat seal (05) as indicated in chapter 8.8. [Fitting the seat seal.](#)
2. Lubricate the O-rings (20) and the guide balls (11) with the grease indicated in chapter 8.2.1. [Maintenance of the seals](#) and place them in the bodies (02).
3. Mount the ball-shaft-seat seal assembly between two bodies (02) and place the guide bushing (17).
4. Position the screws (23) and the nuts (26), screw them crosswise according to the tightening torque value indicated in chapter 9.5. [Tightening torque](#) and check that the ball guides (11) are positioned correctly.



10.110.32.0001

8.6. DISASSEMBLY AND ASSEMBLY OF THE MANUAL DRIVE



When the valve is supplied without manual drive, actuator or head control and the customer want to install one of them, they will have to fulfil with the regulations of the ATEX Directive 2014/34/UE.

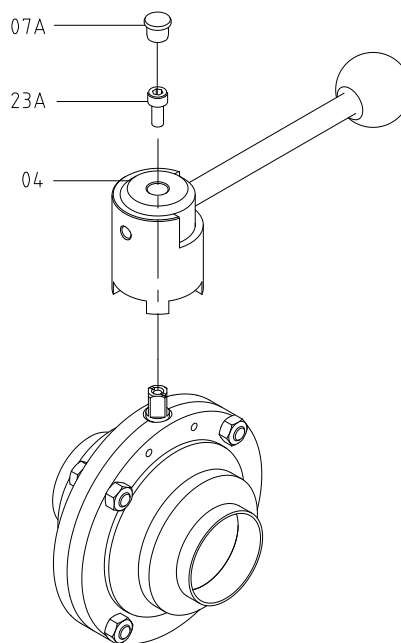
Avoid disassembly the valve in an area defined as a potentially explosive atmosphere because the valve ball is electrically isolated when it has not a drive.

8.6.1. Disassembly

1. Remove the protective plug (07A) from the upper part of the handle (04).
2. Loosen the screw (23A) and remove the handle (04).

8.6.2. Assembly

1. Place the handle (04) on the shaft of the ball (08) positioning the handle arm aligned with the through hole of the ball and tighten the screw (23A).
2. Place the protective plug (07A).



10.110.32.0007

8.7. DISASSEMBLY AND ASSEMBLY OF THE PNEUMATIC DRIVE



When the valve is supplied without manual drive, actuator or head control and the customer want to install one of them, they will have to fulfil with the regulations of the ATEX Directive 2014/34/UE.

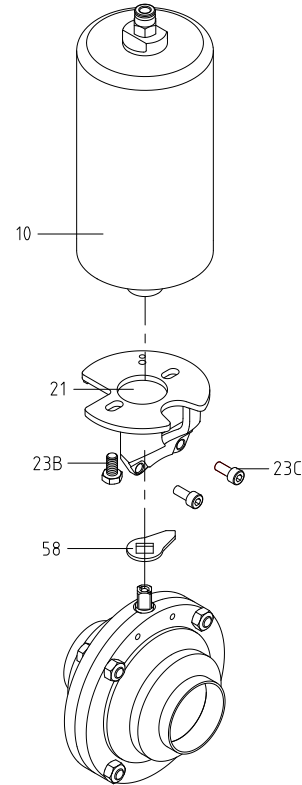
Avoid disassembly the valve in an area defined as a potentially explosive atmosphere because the valve ball is electrically isolated when it has not a drive.

8.7.1. Disassembly

1. Disconnect the compressed air from the actuator.
2. Loosen the two upper screws (23C) which join the actuator support (21) from the bodies (02).
3. Separate the support actuator assembly from the bodies (02).
4. Remove the screws (23B) and separate the actuator support (21).
5. Remove the position indicator (58) from the ball shaft (08).

8.7.2. Assembly

1. Fit the actuator support (21) and tighten the screws (23B).
2. Place the position indicator (58) into the ball shaft (03) and place the actuator (10) as indicated in chapter 8.9. [Actuator fitting options](#).
3. Mount the two screws (23C) that joint the actuator support (21) from the bodies (02). Check the position of the actuator and loosen the screws (23C) if necessary. Once the actuator is in place, tighten the screws.



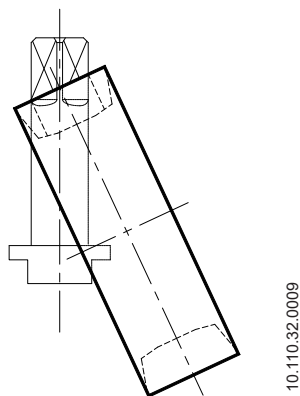
10.110.32.0008

8.8. FITTING THE SEAT SEAL



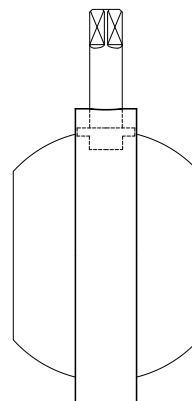
Carry out the assembly with care avoiding any deterioration of the seat seal. Make sure that all parts are in perfect condition and free from any dirt.

1. Lubricate the ball shaft and the seat seal with the grease indicated in chapter 8.2.1. Maintenance of the seals.



10.110.32.0009

2. Insert the upper part of the ball shaft in the orifice of the seal.



10.110.32.0010

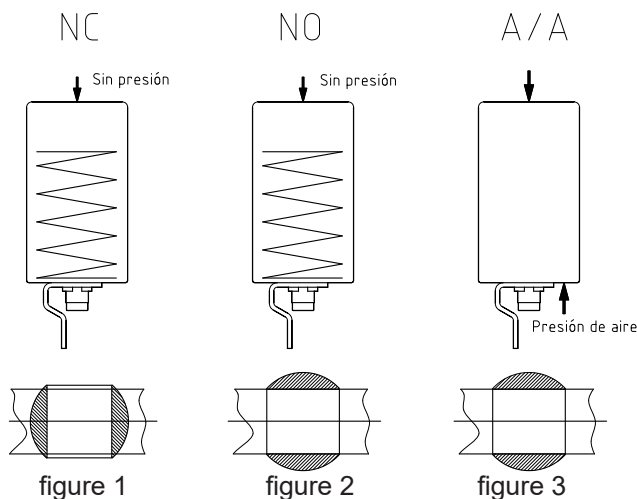
3. Place the shaft-seal assembly in the ball. Match up the lower surfaces of the shaft with those of the ball housing.

8.9. ACTUATOR FITTING OPTIONS

1. NC air/spring (normally closed). The ball (03) and the position indicator (58) should be in the closed position (see figure 1).

2. NO air/spring (normally open). The ball (03) and the position indicator (58) should be in the open position (see figure 2).

3. A/A Double effect. The ball (03) and the position indicator (58) should be in the open position (see figure 5.3). Before assembly, supply compressed air in the lower connection of the actuator.



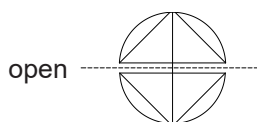
10.110.32.0011

8.10. VALVE POSITION

To check if the valve is open or closed during the assembly, the disassembly or the replacement of the handle or the actuator the position of the shaft should be verified

At the upper part of the shaft there is a groove. It indicates the position of the valve:

- open valve: the groove is in line of the fluid circulation,
- closed valve: the groove cuts the fluid circulation.



www.sks-online.com

10.010.32.0015

9. Technical Specifications

9.1. VALVE

Maximum working pressure	1000 kPa (10 bar) for DN25 to 65 and OD 1" to 2½"
	800 kPa (8bar) for DN80 to 100 and OD 3" to 4"
Minimum working pressure	20 kPa (0,2 bar)
Maximum working temperature product in ATEX area	108°C (226°F) for gas / 125°C (257°F) for dust
Maximum ambient temperature in ATEX area	-20°C to 40°C (-4°F to 104°C)
Maximum working temperature	121°C (250°F) EPDM seals (for highers temperatures other grades of seals will be used)



The range of maximum temperature in areas defined as potentially explosive for gas should take into account the grade of protection T4:

- temperature range of the product: -20°C to 108°C,
- ambient temperature range : -20°C to 40°C.

The maximum temperature of the product in areas defined as potentially explosive due to dust is 125°C.

9.2. ACTUATOR



The pneumatic actuator cannot exceed 12 cycles per minute under no circumstances to avoid an important increase in temperature.

Compressed air pressure	600 - 800 kPa (6 - 8 bar)
Compressed air quality	Per ISO 8573-1:2010: <ul style="list-style-type: none"> - <u>Solid particulate content</u>: quality class 3, max. particle dimension 5 microns / max. particle density 5 mg/m³. - <u>Water content</u>: quality class 4, max dew point +2°C. If the valve is used at high altitude or under low ambient temperature conditions, the dew point must be adjusted accordingly. - <u>Oil content</u>: quality class 5, preferentially oil free, max. 25 mg oil per 1m³ air.

Compressed air fitting	G 1/8
Compressed air consumption (litres N/cycle of P _{rel} = 6 bar)	

Actuator	SE (single effect)	DE (double effect)
A940 - T1	1,3	3,4
A940 - T2	2,1	4,9
A940 - T3	6,3	15,5

Valve	A640 - T1	A640 - T2	A640 - T3
A640	DN 25	DN 40 a 65	DN 80 a 100
	OD 1"	OD 1½" a 2½"	OD 3" a 4"

9.3. MATERIALS

Parts in contact with the product	1.4404 (AISI 316L)
Other steel parts	1.4301 (AISI 304)
Seals in contact with the product	EPDM, FPM, NBR
Internal surface finish	Ra ≤ 0,8 µm
External surface finish	Mechanized

9.4. SIZES AVAILABLE

DIN EN 10357 serie A (formerly DIN 11850 series 2)	DN 25 - DN 100 (SMS 104)
ASTM A269/270 (correspond to tubo OD)	OD 1" - OD 4" (SMS 25 - SMS 101,6)
Connections	Weld, male, nut or clamp

9.5. TIGHTENING TORQUE

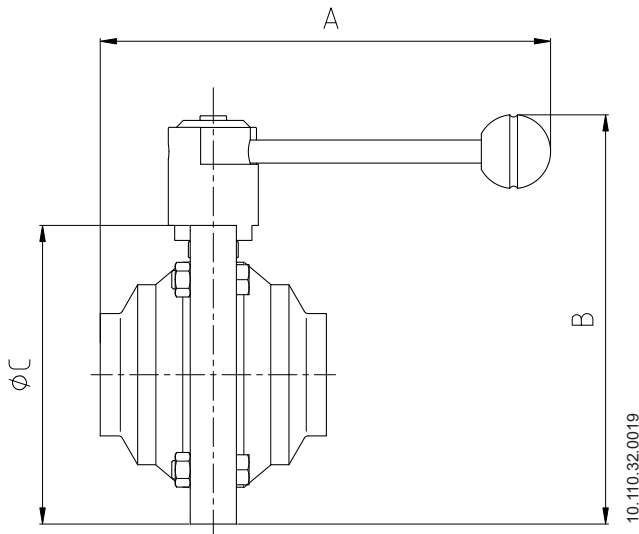
Valve size	Fixed spanner	Tightening torque (Nm)
DN 25 a 100	13	21
OD 1" a 4"	13	21

9.6. WEIGHT OF THE BALL VALVE A640

WEIGHT (kg)				
	DN	Two positions handle ¹	Actuator ²	Actuator + C TOP S ²
DIN	25	1,8	3,5	4,1
	40	2,6	5,4	5,9
	50	3,6	6,4	6,9
	65	5,9	8,7	9,2
	80	9,0	17,7	18,2
	100	13,8	22,5	23,0
OD	1"	1,9	3,7	4,2
	1½"	2,7	5,5	6,1
	2"	3,7	6,6	7,1
	2½"	6,3	9,1	9,7
	3"	9,9	18,6	19,1
	4"	14,4	23,1	23,7

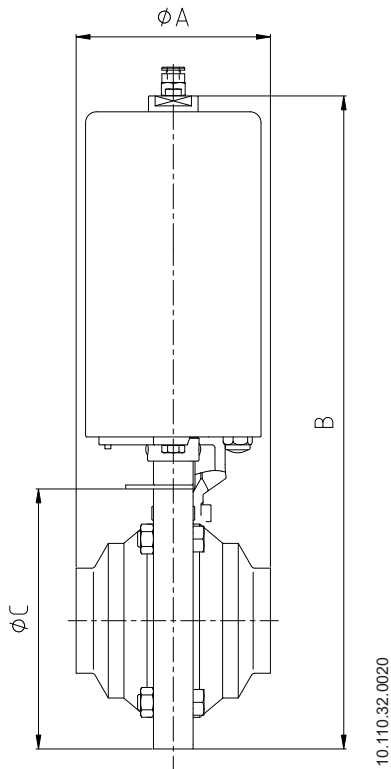
- 1) weld/weld connection
2) weight of valve and drive

9.7. DIMENSIONS OF THE BALL VALVE A640 WITH TWO POSITIONS HANDLE



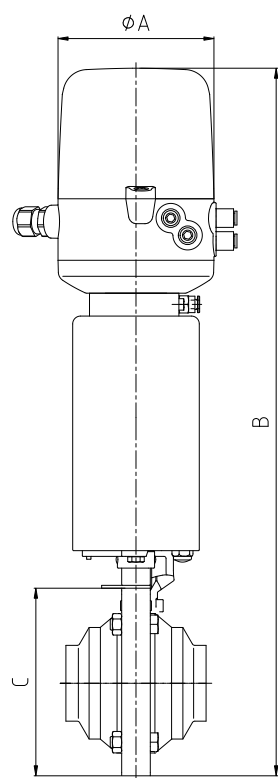
Dimensions (mm)			
DN	A	B	ØC
25	182	141	94
40	188	161	114
DIN	50	195	178
	65	206	205
OD	80	245	233
	100	257	261
1"	182	141	94
	1½"	188	161
2"	195	178	131
	2½"	206	206
3"	245	233	181
	4"	257	261

9.8. DIMENSIONS OF THE BALL VALVE A640 WITH ACTUATOR



Dimensiones (mm)			
DN	ØA	B	ØC
25	76	271	94
40	89	313	114
DIN	50	98	331
	65	120	357
OD	80	140	436
	100	164	464
1"	76	271	94
	1½"	89	303
2"	98	331	131
	2½"	120	358
3"	140	436	181
	4"	164	464

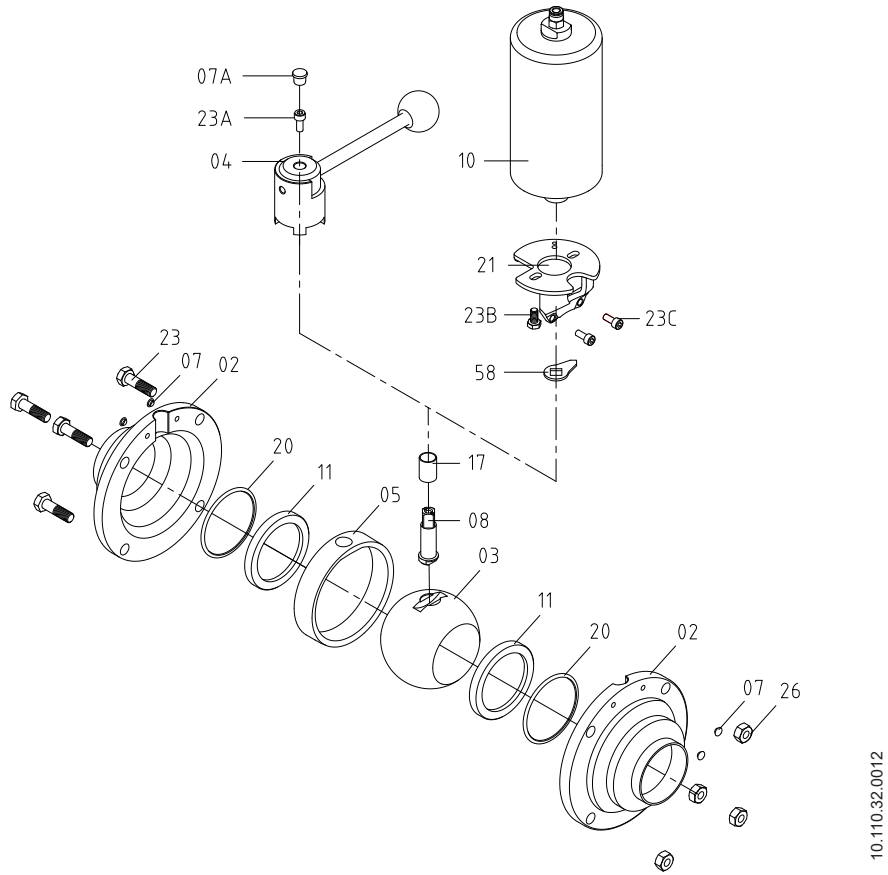
9.9. DIMENSIONS OF THE BALL VALVE A640 WITH ACTUATOR AND C-TOP S



10.110.32.0021

Dimensiones (mm)				
	DN	$\varnothing A$	B	$\varnothing C$
DIN	25	122	435	94
	40	122	477	114
	50	122	495	131
	65	122	522	158
	80	140	601	181
	100	164	639	209
OD	1"	122	435	94
	1½"	122	467	114
	2"	122	495	131
	2½"	122	523	159
	3"	140	601	181
	4"	164	639	209

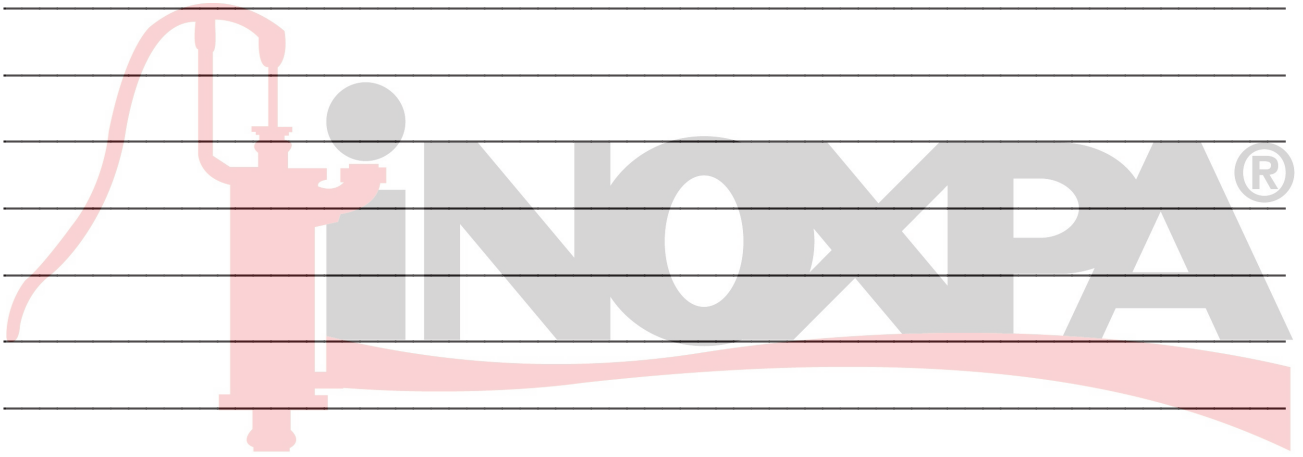
9.10. EXPLODED DRAWING AND PARTS LIST OF THE BALL VALVE A640



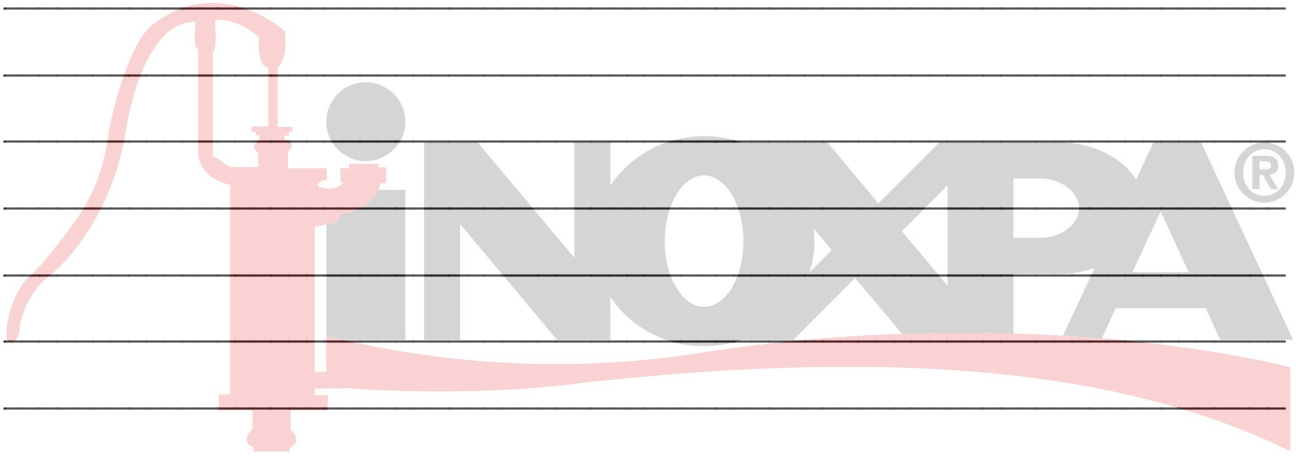
	Position	Description	Quantity	Material
VALVE	02	body	2	1.4307 (AISI 304L)
	03	ball ¹⁾	1	1.4404 (AISI 316L)
	05	seat seal	1	EPDM-FPM-NBR
	07	protective plug body	4	plástico
	08	shaft	1	1.4404 (AISI 316L)
	11	ball guide	2	PTFE
	17	guide bushing	1	PTFE
	20	O-ring	2	EPDM-FPM-NBR
	23	hexagonal screw	4	A2
	26	nut	4	A2
DRIVE	04	two position handle	1	plástico
	07A	protective plug two positions handle	1	plástico
	10	actuator	1	1.4301 (AISI 304)
	21	actuator support	1	1.4307 (AISI 304L)
	23A	allen screw	1	A2
	23B	hexagonal screw	2	A2
	23C	allen screw	2	A2
	58	position indicator	1	plástico

1) Recommended spare parts

NOTES



NOTES



How to contact INOXPA S.A.U.:

Contact details for all countries are continually updated on our website.

Please visit www.inoxpa.com to access the information.



INOXPA S.A.U.
Telers, 60 - 17820 - Banyoles - Spain

www.sks-online.com

