



# Pipetite®

## The hygienic wall boot system

### “A new approach to an old problem”

The current solutions for pipe connections through walls are visually and hygienically flawed. They often do not seal properly and are not flexible or uniform.

With the Pipetite® program, S.K.S. offers a true solution to this problem. Pipetite® has been developed based on the above practical shortcomings and can therefore be used in any environment. All models are self-sealing, hygienic and easy to fit.

### Pipetite® is simple and effective

- 6 sizes for pipe diameters up to 380 mm
- Hygienic white silicone and 316 stainless steel
- Totally self-sealing and maintenance-free
- Vibration-absorbing
- Waterproof
- Resistant to temperatures up to 250°C (medium pipe)
- Quick and easy installation
- Long lifespan

Pipetite is available for wall connections (Pipetite® and ReBoot®), pipe connections (Pipe n Pipe®) or plate connections (Tube Grommets and Hose grommets). As an option, the Pipetite® range can be made fireproof by using traditional firestop products.

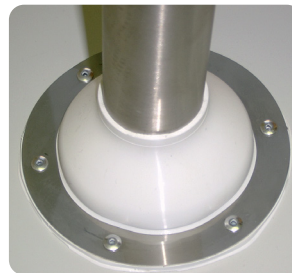
Pipetite® can be used in many common situations. The connector surrounding the pipe is the same for all models. You trim the boot to size and slide the wall connector over the pipe. ReBoot® models can be easily fitted around the existing situation and are sealed with a clip.



The actual connection with the application for the pipe is different for every model.

- The Pipetite® and ReBoot® can be easily fitted on walls or ceilings.
- The Pipe n Pipe® is made for pipe connections of 4"/NW100 or 6"/NW150.
- Grommets are used for pipe or hose connections through machine walls or stainless steel wall plates up to 3 mm thick. Multi range is available.
- Flat. A flat range for tank or wall boot and cover.

In case you need assistance in choosing the right Pipetite®, please contact us.



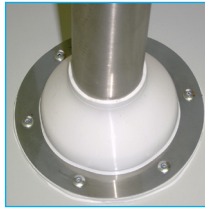
## Flexible, self-sealing wall boot for tubes in a hygienic environment

**PIPETITE®**



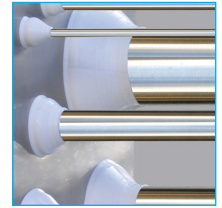
### Pipetite®

- Hygienic white silicone
- 6 sizes for tube range 5 - 180 mm
- Perfectly cleanable
- Resistant to temperatures up to 250°C (medium pipe)



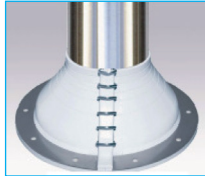
### PipeGrommet

- Hygienic white silicone and 316 stainless steel
- For plates with thickness up to 3 mm
- Executions as PipeTite®



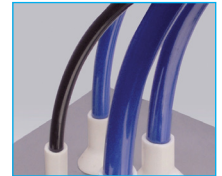
### ReBoot®

- Pipetite® for existing situation
- 6 sizes for tube range 5 - 380 mm
- Perfectly cleanable
- Resistant to temperatures up to 250°C (medium pipe)



### HoseGrommet

- Hygienic white silicone
- Suitable for pneumatic hoses 6, 8, 10 of 12 mm
- For plates with thickness up to 3 mm
- IP34 en NEMA tested
- Multi executions



### Pipe in Pipe®

- Hygienic white silicone
- Flexible and compensates
- Can be applied to 2 different sizes of tube



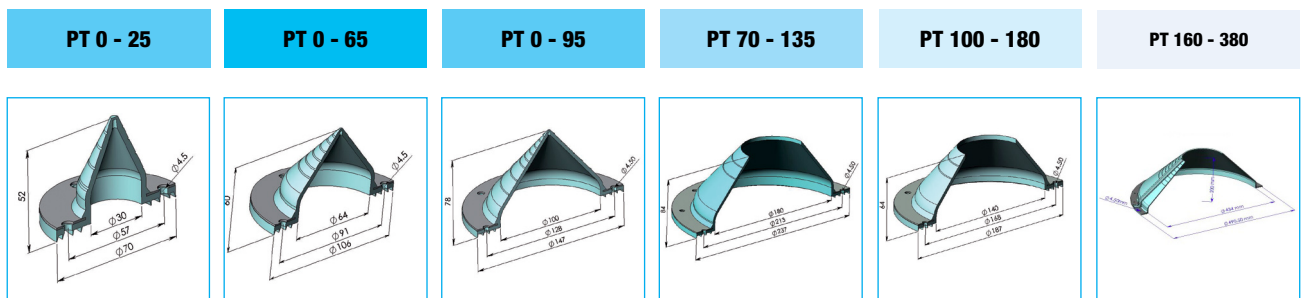
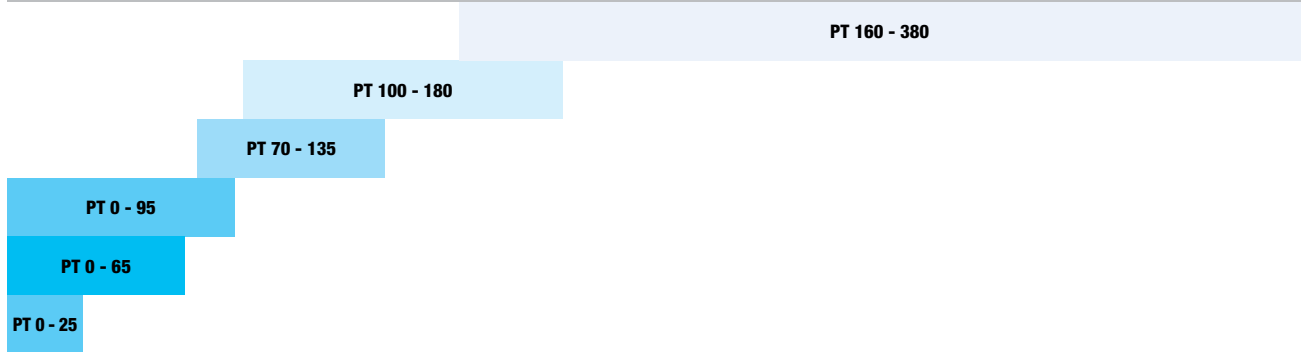
### PipeTite Flat

- Hygienic white silicone
- 3 sizes for tube range 0-135 mm
- Applicable for insulated tanks (jacketets)
- Perfectly cleanable
- Protected insulation material



## 6 sizes for tube range 5 - 380 mm Resistant to temperatures up to 250 °C

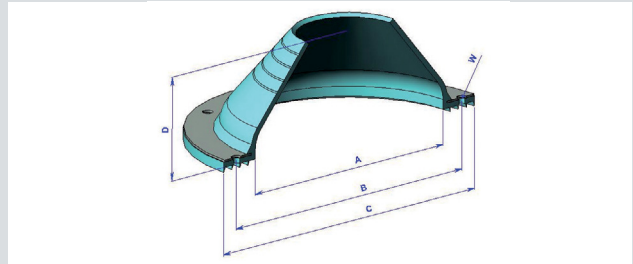
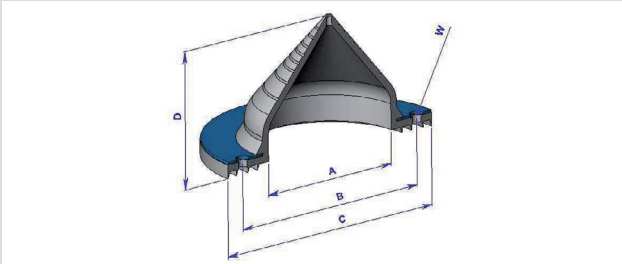
0 10 20 30 40 50 60 70 90 100 110 120 130 140 150 160 170 180 190 200 210 220 230 240 250 260 270 280 290 300 310 320 330 340 350 360 370 380



**PRODUCT SELECTION GUIDE**



**STANDARD WALL BOOT**



**PT(0-25), PT(0-65), PT(0-95)**

SKS art. nr.	Size	A	B	C	D	W	Anchors
		mm	mm	mm	mm	mm	
930317101	0-25	30	57	70	52	6,2	4
930317102	0-65	64	91	106	60	6,2	4
930317103	0-95	100	128	147	78	6,2	6

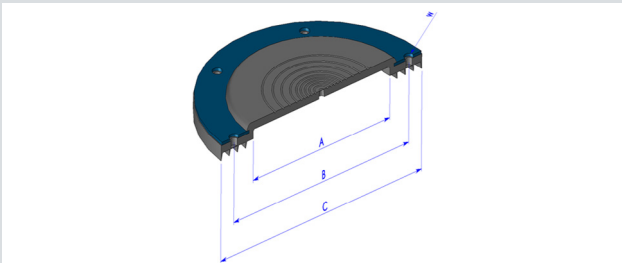
**PT(70-135), PT(100-180)**

SKS art. nr.	Size	A	B	C	D	W	Anchors
		mm	mm	mm	mm	mm	
930317104	70-135	140	168	187	64	6,2	6
930317105	100-180	180	213	237	84	6,2	10

**PRE-CUT WALL BOOT**

We can deliver the PipeTite Wall Boots cut to size suitable for every required tube size.

**PIPETITE FLAT FOR TANK WALLS**



**PTF2(0-65), PTF3(0-95), PTF4(0-135)**

SKS art. nr.	Size	A	B	C	W	Anchors
		mm	mm	mm	mm	
930317111	0-65	64	91	106	6,2	4
930317112	0-95	100	128	147	6,2	6
930317113	0-135	135	168	187	6,2	6



*Seam Ripper: Tool which helps to cut the PipeTite down to the right size.*



*Anchor 1: This tool is suitable for mounting in stone or concrete. Drill a 4 mm hole and hit the PipeTite with a hammer. The screw shape on the nail ensures the necessary anchoring.*

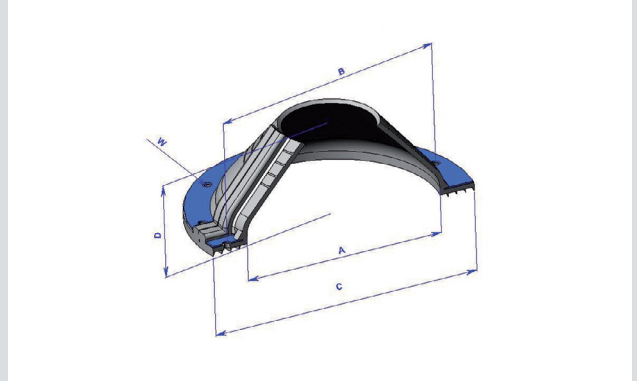
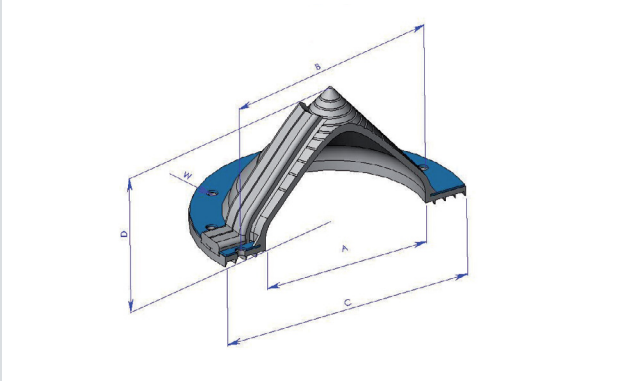


*Anchor 2: This two-part anchoring of the PipeTite wall boots is perfect for panel walls and thin wall structures. Drill a 6 mm hole in the surface and insert the plastic plug into the hole. Position the PipeTite and place the nail in the plug. The plug will expand and provide the correct anchorage.*





**REBOOT® FOR EXISTING SITUATIONS**



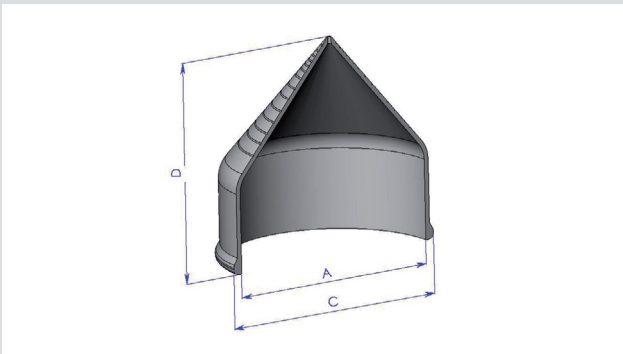
**PTRB(0-95)**

SKS art. nr.	Size	A	B	C	D	W	Anchors
		mm	mm	mm	mm	mm	
930317120	0-65	64	91	106	60	6,2	4
930317121	0-95	100	128	147	78	6,2	6

**PTRB(70-135), PTRB(100-180), PTRB (160-380)**

SKS art. nr.	Size	A	B	C	D	W	Anchors
		mm	mm	mm	mm	mm	
930317122	70-135	140	168	187	64	6,2	6
930317123	100-180	180	213	237	84	6,2	10
930317124	160-380	434	467	490	200	6,2	20

**PIPE IN PIPE® FOR TUBES**



**PIPE IN PIPE® 4" AND 6"**

SKS art. nr.	Size	A	B	C	D
		mm	mm	mm	mm
930319010	100x0-75	90	-	102	112
930319011	150x0-135	141	-	153	150



*Seam Ripper: Tool which helps to cut the PipeTite down to the right size.*



*Anchor 1: This tool is suitable for mounting in stone or concrete. Drill a 4 mm hole and hit the PipeTite with a hammer. The screw shape on the nail ensures the necessary anchoring.*

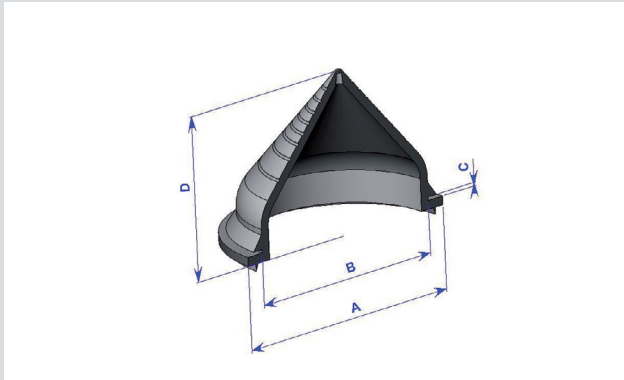


*Anchor 2: This two-part anchoring of the PipeTite wall boots is perfect for panel walls and thin wall structures. Drill a 6 mm hole in the surface and insert the plastic plug into the hole. Position the PipeTite and place the nail in the plug. The plug will expand and provide the correct anchorage.*

**PIPETITE®**

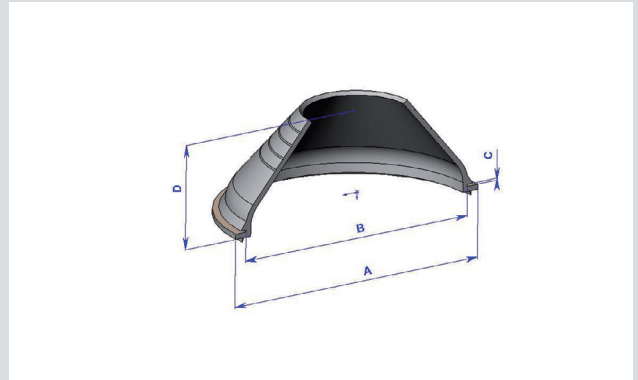


**PIPETITE FOR PLATES**



**PTG 25, 65, 95**

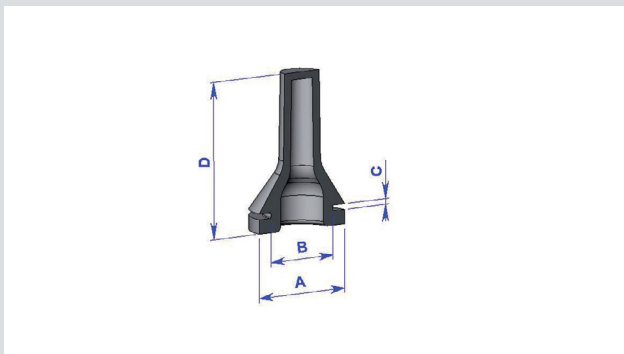
SKS art. nr.	Size	A	B	C	D
		mm	mm	mm	mm
930317130	0-25	48	36	1.2-3.0	45
930317131	0-65	82	70	1.2-3.0	57
930317132	0-95	120	106	1.2-3.0	75



**PTG 175, PTG 180**

SKS art. nr.	Size	A	B	C	D
		mm	mm	mm	mm
930317133	70-135	160	146	1.2-3.0	61
930317134	100-180	202	186	1.2-3.0	77

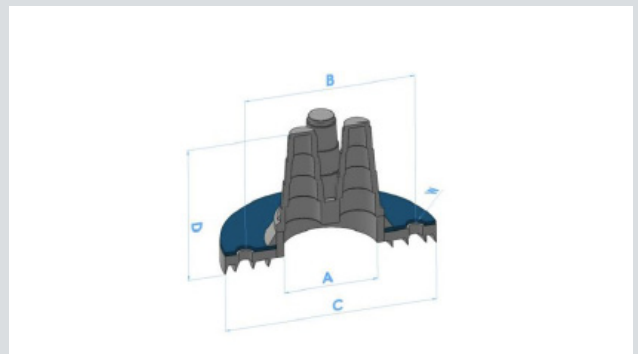
**PIPETITE FOR PNEUMATIC HOSES**



**PTG 1/4"-1/2" (6 MM TO 12 MM) IP34**

SKS art. nr.	Size	A	B	C	D
		mm	mm	mm	mm
930317135	6	22	16	1.2-3.0	33
930317136	8	22	16	1.2-3.0	31
930317137	10	22	16	1.2-3.0	32
930317138	12	22	16	1.2-3.0	30

**PIPETITE MULTI GROMMET**



**PTMG 6 MM- 12 MM**

SKS art. nr.	Size	A	B	C	D	W
		mm	mm	mm	mm	mm
930317141	6, 8, 10, 12	31	56,7	70	43	6,2